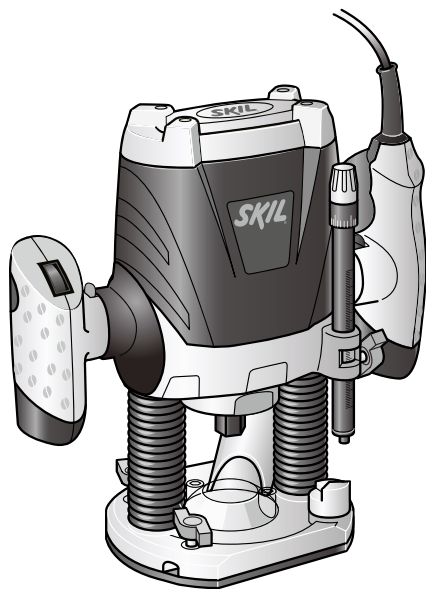


# SKIL®

## ROUTER 1840 (F0151840..)



<b>GB</b>	ORIGINAL INSTRUCTIONS	7	<b>UA</b>	ОРИГІНАЛЬНА ІНСТРУКЦІЯ З ЕКСПЛУАТАЦІЇ	72
<b>F</b>	NOTICE ORIGINALE	10	<b>GR</b>	ΠΡΩΤΟΤΥΠΟ ΟΔΗΓΙΩΝ ΧΡΗΣΗΣ	76
<b>D</b>	ORIGINALBETRIEBSANLEITUNG	15	<b>RO</b>	INSTRUCȚIUNI DE FOLOSIRE ORIGINALE	81
<b>NL</b>	ORIGINELE GEBRUIKSAANWIJZING	19	<b>BG</b>	ОРИГИНАЛНО РЪКОВОДСТВО ЗА ЕКСПЛОАТАЦИЯ	85
<b>S</b>	BRUKSANVISNING I ORIGINAL	23	<b>SK</b>	PŮVODNÝ NÁVOD NA POUŽITIE	90
<b>DK</b>	ORIGINAL BRUGSANVISNING	27	<b>HR</b>	ORIGINALNE UPUTE ZA RAD	94
<b>N</b>	ORIGINAL BRUKSANVISNING	31	<b>SRB</b>	ORIGINALNO UPUTSTVO ZA RAD	98
<b>FIN</b>	ALKUPERÄISET OHJEET	34	<b>SLO</b>	IZVIRNA NAVODILA	102
<b>E</b>	MANUAL ORIGINAL	38	<b>EST</b>	ALGUPÄRANE KASUTUSJUHEND	106
<b>P</b>	MANUAL ORIGINAL	42	<b>LV</b>	ORIĢINĀLĀ LIETOŠANAS PAMĀCĪBA	109
<b>I</b>	ISTRUZIONI ORIGINALI	47	<b>LT</b>	ORIGINALI INSTRUKCIJA	114
<b>H</b>	EREDETI HASZNÁLATI UTASÍTÁS	51	<b>MK</b>	ИЗБОРНО УПАТСТВО ЗА РАБОТА	118
<b>CZ</b>	PŮVODNÍM NÁVODEM K POUŽÍVÁNÍ	55	<b>AL</b>	UDHËZIMET ORIGINALE	122
<b>TR</b>	ORİJİNAL İŞLETME TALİMATI	59	<b>AR</b>	دليل الاستعمال	134
<b>PL</b>	INSTRUKCJA ORYGINALNA	63	<b>FA</b>	راهنمای اصلی	131
<b>RU</b>	ПОДЛИННИК РУКОВОДСТВА ПО ЭКСПЛУАТАЦИИ	67			



1 1840

1300  
Watt

3,8 kg  
EPTA 01/2003

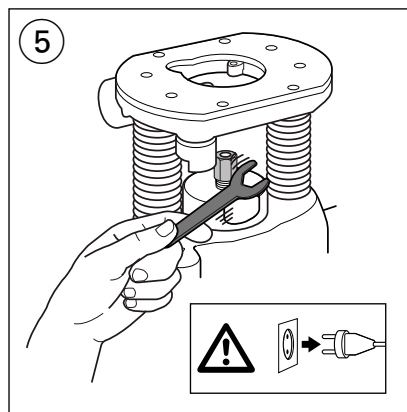
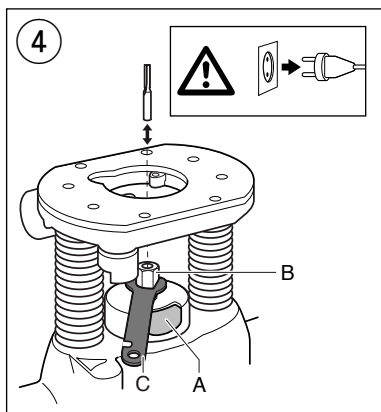
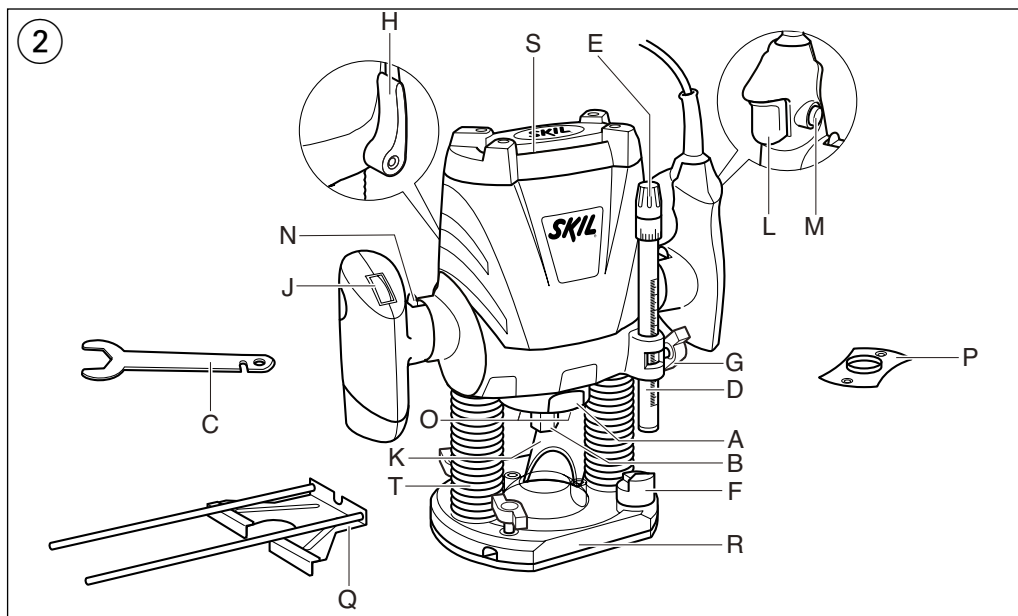
60 mm

12-28.000

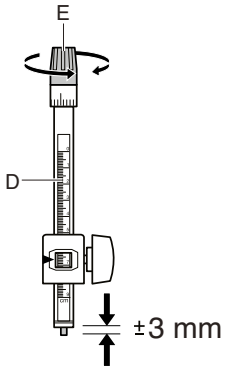
6 mm

8 mm

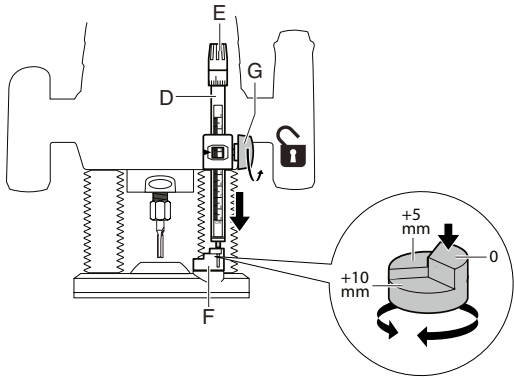
220  
240  
V~  
50-60 Hz



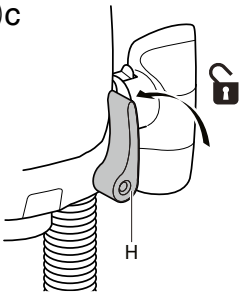
6 a



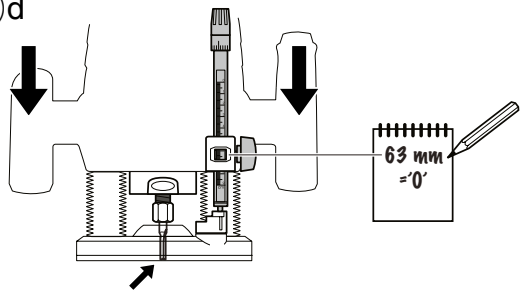
6 b



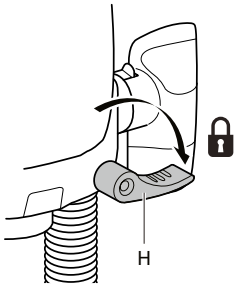
6 c



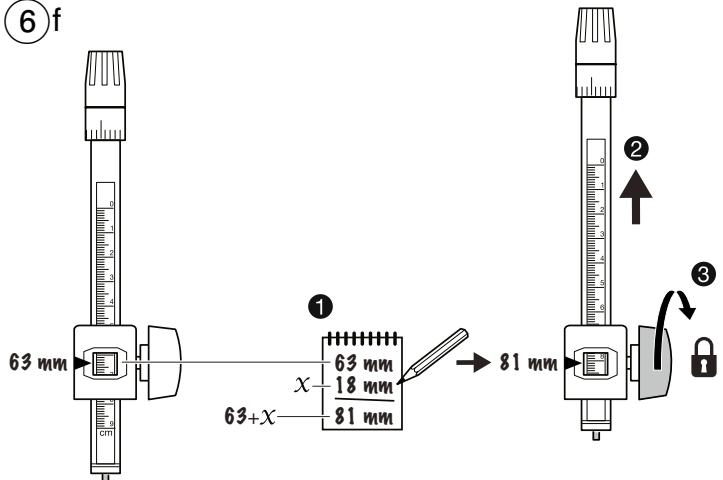
6 d

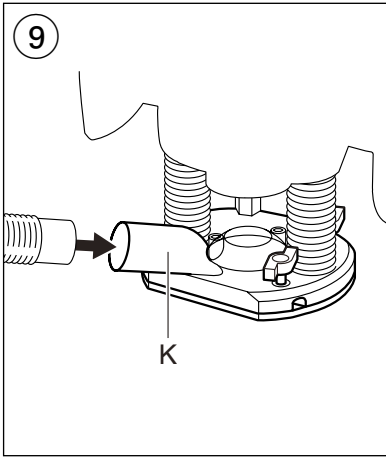
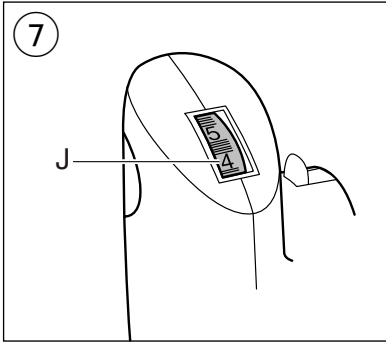





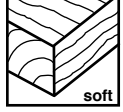
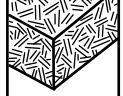
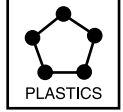

6 e

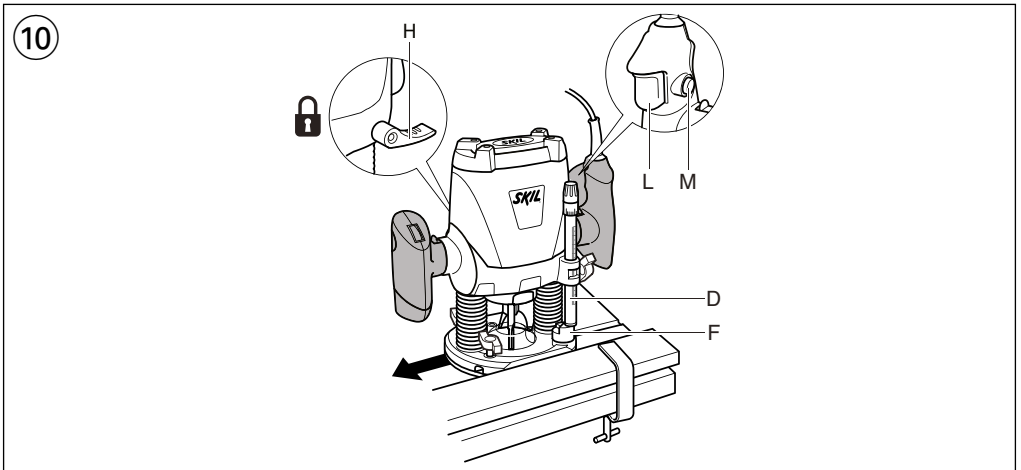


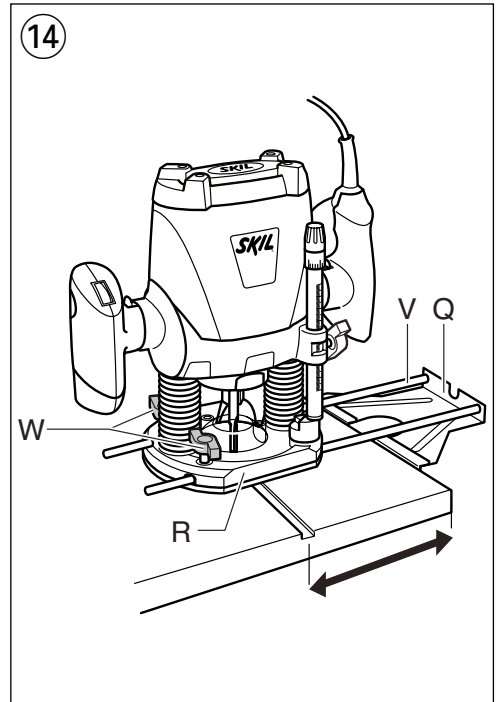
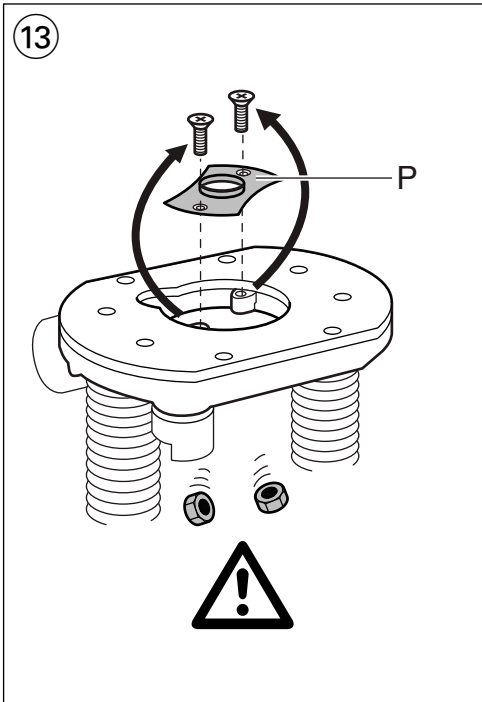
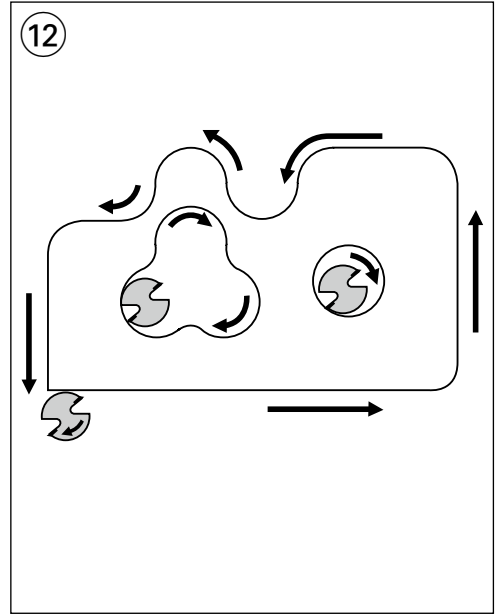
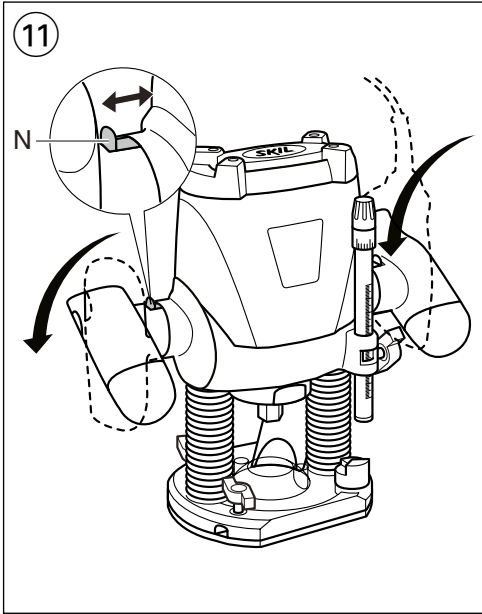
6 f



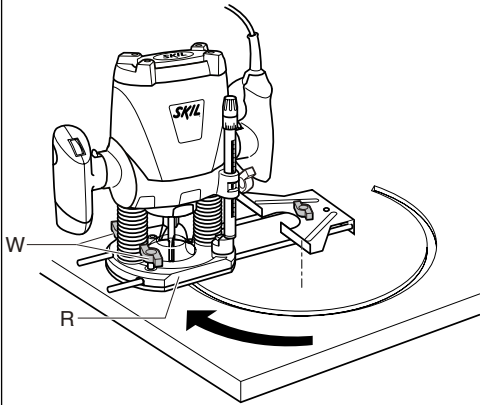
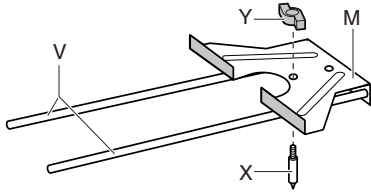


<p>8</p> 							
	<table border="1"> <tr> <td>4 - 10 mm</td> <td>5 - MAX</td> </tr> <tr> <td>12 - 20 mm</td> <td>3 - 4</td> </tr> <tr> <td>22 - 40 mm</td> <td>MIN - 2</td> </tr> </table>	4 - 10 mm	5 - MAX	12 - 20 mm	3 - 4	22 - 40 mm	MIN - 2
4 - 10 mm	5 - MAX						
12 - 20 mm	3 - 4						
22 - 40 mm	MIN - 2						
	<table border="1"> <tr> <td>4 - 10 mm</td> <td>5 - MAX</td> </tr> <tr> <td>12 - 20 mm</td> <td>3 - 6</td> </tr> <tr> <td>22 - 40 mm</td> <td>MIN - 3</td> </tr> </table>	4 - 10 mm	5 - MAX	12 - 20 mm	3 - 6	22 - 40 mm	MIN - 3
4 - 10 mm	5 - MAX						
12 - 20 mm	3 - 6						
22 - 40 mm	MIN - 3						
	<table border="1"> <tr> <td>4 - 10 mm</td> <td>3 - MAX</td> </tr> <tr> <td>12 - 20 mm</td> <td>2 - 4</td> </tr> <tr> <td>22 - 40 mm</td> <td>MIN - 3</td> </tr> </table>	4 - 10 mm	3 - MAX	12 - 20 mm	2 - 4	22 - 40 mm	MIN - 3
4 - 10 mm	3 - MAX						
12 - 20 mm	2 - 4						
22 - 40 mm	MIN - 3						
	<table border="1"> <tr> <td>4 - 15 mm</td> <td>2 - 3</td> </tr> <tr> <td>16 - 40 mm</td> <td>MIN - 2</td> </tr> </table>	4 - 15 mm	2 - 3	16 - 40 mm	MIN - 2		
4 - 15 mm	2 - 3						
16 - 40 mm	MIN - 2						
	<table border="1"> <tr> <td>4 - 15 mm</td> <td>MIN - 2</td> </tr> <tr> <td>16 - 40 mm</td> <td>MIN</td> </tr> </table>	4 - 15 mm	MIN - 2	16 - 40 mm	MIN		
4 - 15 mm	MIN - 2						
16 - 40 mm	MIN						

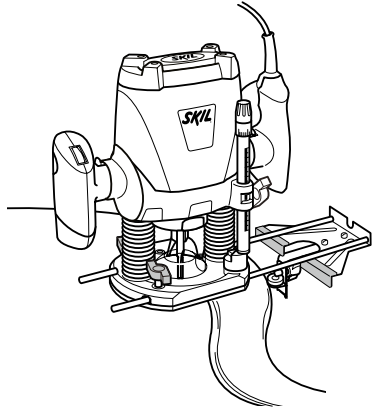
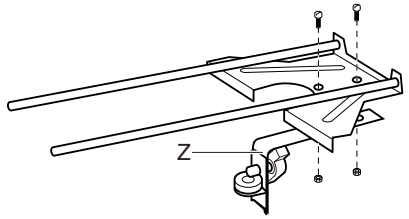




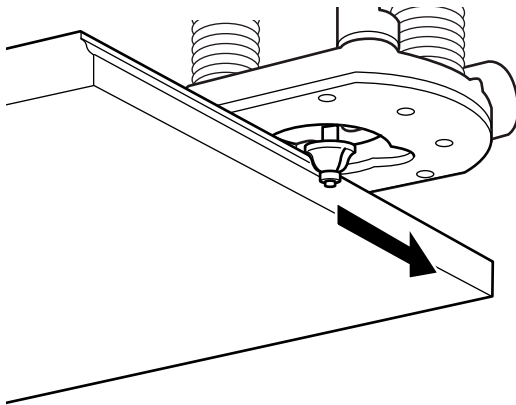
15



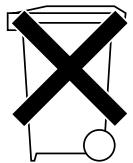
16



17



18



## Router

1840

## INTRODUCTION

- The tool is intended to route grooves, edges, profiles and elongated holes in wood, plastic and light building materials as well as to copy-route
- This tool is not intended for professional use
- The light of this power tool is intended to illuminate the power tool's direct area of working operation and is not suitable for household room illumination
- Read and save this instruction manual ③

## TECHNICAL DATA ①

## TOOL ELEMENTS ②

- A Shaft lock
- B Collet nut
- C Wrench
- D Depth gauge
- E Fine-adjustment knob
- F Depth stop turret
- G Adjustment knob (depth gauge)
- H Locking lever
- J Speed selection wheel
- K Extension for vacuum cleaner
- L On/off switch
- M Button for switch locking
- N Adjustment knob (handle)
- O LED-lights
- P Adapter plate
- Q Parallel guide
- R Base plate
- S Ventilation slots
- T Sliding bars
- V Parallel guide rods
- W Knob for adjusting rip fence
- X Parallel guide pin
- Y Parallel guide wing nut
- Z Curve buffer

## SAFETY

## GENERAL SAFETY INSTRUCTIONS

**⚠ WARNING! Read all safety warnings and all instructions.** Failure to follow the warnings and instructions may result in electric shock, fire and/or serious injury. **Save all warnings and instructions for future reference.** The term "power tool" in the warnings refers to your mains-operated (corded) power tool or battery-operated (cordless) power tool.

## 1) WORK AREA SAFETY

- a) **Keep work area clean and well lit.** Cluttered or dark areas invite accidents.
- b) **Do not operate power tools in explosive atmospheres, such as in the presence of flammable**

**liquids, gases or dust.** Power tools create sparks which may ignite the dust or fumes.

- c) **Keep children and bystanders away while operating a power tool.** Distractions can cause you to lose control.
- 2) ELECTRICAL SAFETY**
- a) **Power tool plugs must match the outlet. Never modify the plug in any way. Do not use any adapter plugs with earthed (grounded) power tools.** Unmodified plugs and matching outlets will reduce risk of electric shock.
  - b) **Avoid body contact with earthed or grounded surfaces such as pipes, radiators, ranges and refrigerators.** There is an increased risk of electric shock if your body is earthed or grounded.
  - c) **Do not expose power tools to rain or wet conditions.** Water entering a power tool will increase the risk of electric shock.
  - d) **Do not abuse the cord. Never use the cord for carrying, pulling or unplugging the power tool. Keep cord away from heat, oil, sharp edges or moving parts.** Damaged or entangled cords increase the risk of electric shock.
  - e) **When operating a power tool outdoors, use an extension cord suitable for outdoor use.** Use of a cord suitable for outdoor use reduces the risk of electric shock.
  - f) **If operating a power tool in a damp location is unavoidable, use an earth leakage circuit breaker.** Use of an earth leakage circuit breaker reduces the risk of electric shock.

## 3) PERSONAL SAFETY

- a) **Stay alert, watch what you are doing and use common sense when operating a power tool. Do not use a power tool while you are tired or under the influence of drugs, alcohol or medication.** A moment of inattention while operating power tools may result in serious personal injury.
- b) **Use personal protective equipment. Always wear eye protection.** Protective equipment such as dust mask, non-skid safety shoes, hard hat, or hearing protection used for appropriate conditions will reduce personal injuries.
- c) **Prevent unintentional starting. Ensure the switch is in the off-position before connecting to power source and/or battery pack, picking up or carrying the tool.** Carrying power tools with your finger on the switch or energising power tools that have the switch on invites accidents.
- d) **Remove any adjusting key or wrench before turning the power tool on.** A wrench or a key left attached to a rotating part of the power tool may result in personal injury.
- e) **Do not overreach. Keep proper footing and balance at all times.** This enables better control of the power tool in unexpected situations.
- f) **Dress properly. Do not wear loose clothing or jewelry. Keep your hair, clothing and gloves away from moving parts.** Loose clothes, jewelry or long hair can be caught in moving parts.
- g) **If devices are provided for the connection of dust extraction and collection facilities, ensure these are connected and properly used.** Use of dust collection can reduce dust-related hazards.

#### 4) POWER TOOL USE AND CARE

- a) **Do not force the power tool. Use the correct power tool for your application.** The correct power tool will do the job better and safer at the rate for which it was designed.
- b) **Do not use the power tool if the switch does not turn it on and off.** Any power tool that cannot be controlled with the switch is dangerous and must be repaired.
- c) **Disconnect the plug from the power source and/or the battery pack from the power tool before making any adjustments, changing accessories, or storing power tools.** Such preventive safety measures reduce the risk of starting the power tool accidentally.
- d) **Store idle power tools out of the reach of children and do not allow persons unfamiliar with the power tool or these instructions to operate the power tool.** Power tools are dangerous in the hands of untrained users.
- e) **Maintain power tools. Check for misalignment or binding of moving parts, breakage of parts and any other condition that may affect the power tool's operation. If damaged, have the power tool repaired before use.** Many accidents are caused by poorly maintained power tools.
- f) **Keep cutting tools sharp and clean.** Properly maintained cutting tools with sharp cutting edges are less likely to bind and are easier to control.
- g) **Use the power tool, accessories and tool bits etc., in accordance with these instructions, taking into account the working conditions and the work to be performed.** Use of the power tool for operations different from those intended could result in a hazardous situation.

#### 5) SERVICE

- a) **Have your power tool serviced by a qualified repair person using only identical replacement parts.** This will ensure that the safety of the power tool is maintained.

### SAFETY INSTRUCTIONS FOR ROUTERS

#### GENERAL

- This tool should not be used by people under the age of 16 years
- **Always disconnect plug from power source before making any adjustment or changing any accessory**

#### ACCESSORIES

- SKIL can assure flawless functioning of the tool only when original accessories are used
- Use only accessories with an allowable speed matching at least the highest no-load speed of the tool
- Do not use damaged or deformed router bits
- Only use sharp router bits
- Protect accessories from impact, shock and grease
- Only use high speed steel (HSS) or carbide-tipped (CT) router bits with this tool

#### BEFORE USE

- Avoid damage that can be caused by screws, nails and other elements in your workpiece; remove them before you start working
- Always check that the supply voltage is the same as the voltage indicated on the nameplate of the tool (tools with a rating of 230V or 240V can also be connected to a 220V supply)

- **Do not work materials containing asbestos** (asbestos is considered carcinogenic)
- **Use clamps or another practical way to secure and support the workpiece to a stable platform** (holding the work by your hand or against the body leaves it unstable and may lead to loss of control)
- Do not clamp the tool in a vice
- Use completely unrolled and safe extension cords with a capacity of 16 Amps (U.K. 13 Amps)
- The noise level when working can exceed 85 dB(A); wear ear protection
- Dust from material such as paint containing lead, some wood species, minerals and metal may be harmful (contact with or inhalation of the dust may cause allergic reactions and/or respiratory diseases to the operator or bystanders); **wear a dust mask and work with a dust extraction device when connectable**
- Certain kinds of dust are classified as carcinogenic (such as oak and beech dust) especially in conjunction with additives for wood conditioning; **wear a dust mask and work with a dust extraction device when connectable**
- Follow the dust-related national requirements for the materials you want to work with
- Be sure tool is switched off when plugging in

#### DURING USE

- **Hold power tool by insulated gripping surfaces, because the cutter may contact its own cord** (cutting a "live" wire may make exposed metal parts of the power tool "live" and shock the operator)
- Always keep the cord away from moving parts of the tool; direct the cord to the rear, away from the tool
- Never use the tool when cord or base-plate R ② (=protective guard) is damaged; have it replaced by a qualified person
- Keep hands and fingers away from router bit when tool is switched on
- Never exceed maximum cutting depth of router bit while cutting
- In case of electrical or mechanical malfunction, immediately switch off the tool and disconnect the plug
- In case the router bit is blocked, resulting in jerking forces on the tool, immediately switch off the tool
- In case of current interruption or when the plug is accidentally pulled out, immediately switch off the tool in order to prevent uncontrolled restarting
- Do not apply so much pressure on the tool that it comes to a standstill

#### AFTER USE

- After finishing the work, loosen lever H ②, guide the tool back into the upper starting position, and switch off the tool

#### WHEN CONNECTING NEW 3-PIN PLUG (U.K. ONLY):

- Do not connect the blue (= neutral) or brown (= live) wire in the cord of this tool to the earth terminal of the plug
- If for any reason the old plug is cut off the cord of this tool, it must be disposed of safely and not left unattended

#### USE

- Mounting/removing router bits ④
  - ! **switch off the tool and disconnect the plug**
  - ! **ensure that router bit shaft is perfectly clean**



**! ensure that collet size (6 mm, 8 mm) corresponds with shaft size of router bit**

- turn tool upside down
- lock shaft by pushing shaft lock A (rotate collet nut B, if necessary) and hold it while you

FOR MOUNTING:

- loosen collet nut B with wrench C
- insert bit 3/4 in collet
- tighten collet nut firmly with wrench C

FOR REMOVING:

- loosen collet nut B with wrench C
- remove bit
- release shaft lock A

**! for loosening router bit it may be necessary to tap collet nut with wrench ⑤**

**! never tighten collet nut, if there is no router bit in collet; collet may be damaged**

- Changing collet

**! switch off the tool and disconnect the plug**

**! ensure that collet shaft is perfectly clean**

- loosen collet nut B 2 or 3 turns
- tap collet nut B with wrench C
- remove collet nut B and collet (lock shaft)
- turn tool upside down
- insert new collet in collet shaft
- mount collet nut B (lock shaft)

**! never tighten collet nut, if there is no router bit in collet; collet may be damaged**

- Adjusting routing depth ⑥

**! switch off the tool and disconnect the plug**

- ensure that the small rod within depth gauge D extends approximately 3 mm (use fine-adjustment knob E) ⑥a

- rotate turret F so that its highest position clicks into place right under depth gauge D (for zeroing) ⑥b

- loosen knob G so that depth gauge D drops onto depth stop turret F ⑥b

- place tool on workpiece

- loosen locking lever H ⑥c

- push tool down until router bit is in contact with workpiece ⑥d

- tighten locking lever H ⑥e

- routing depth is now set to 0 mm (note value as indicated on depth scale)

- raise depth gauge D as many mm as the desired routing depth, and tighten knob G ⑥f

- loosen locking lever H and guide the tool back up again

- use fine-adjustment knob E for setting the routing depth more precisely (0-10 mm)

- with depth stop turret F the routing depth can be increased by 5 or 10 mm respectively

**! re-adjust the routing depth after having changed router bits**

- Speed control ⑦

For optimal routing results on different materials

- select routing speed with wheel J (also while tool is running)

- use table ⑧ as reference for determining the right routing speed

- before starting a job, find the optimal speed by testing out on spare material

**! after longer periods of working at low speed, allow the tool to cool down by running it for approximately 3 minutes at high speed with no load**

- Dust suction ⑨

- connect vacuum cleaner to extension K

**! never let the vacuum cleaner hose interfere with the routing operation**

- Operating the tool ⑩

- adjust routing depth

**! always hold the tool firmly with both hands**

**! while working, always hold the tool at the grey-coloured grip area(s)**

- place tool on workpiece

- switch on the tool by pulling trigger L

- lock the switch for continuous use by pressing button M

**! before the router bit reaches the workpiece, the tool should run at full speed**

- loosen locking lever H and slowly push tool down until depth gauge D reaches depth stop turret F

- tighten locking lever H

- carry out the routing procedure with uniform feed rate

- use the tool with its base-plate flat on the workpiece

- as a general rule one should pull the tool, not push it

- unlock the switch by pulling again trigger L and then releasing it

- after finishing the work, loosen lever H and guide the tool back into the upper starting position

- Handle position adjustment ⑪

- unlock both handles by sliding knobs N to the outer position and hold them while turning the handles into the desired position

- release both knobs N until they snap-lock (4 positions possible)

- Proper guiding ⑫

- keep in mind that router bit turns clockwise

- guide tool so that bit turns into the workpiece, not away from it

- Mounting adapter plate P (for copying with a template) ⑬

- Mounting parallel guide Q ⑭

- insert parallel guide rods V through holes in base-plate R

- slide parallel guide to desired width and fasten it with 2 knobs W

- Using the parallel guide as a circular guide ⑮

**! reverse parallel guide first**

- fasten pin X with wing nut Y as illustrated

- insert rods V into base-plate R

- pierce pin X into marked centre of circular arc

- fasten parallel guide with 2 knobs W

- guide the tool with consistent feed across the workpiece

- Using the parallel guide with curve buffer Z ⑯

- mount curve buffer Z (with guide roller mounted) as illustrated

- guide the tool along the workpiece edge with light sideward pressure

## APPLICATION ADVICE

- For cuts parallel with the side of your workpiece use parallel guide
- For making parallel cuts in a workpiece far from the edge <sup>(10)</sup>
  - fasten a straight piece of wood on the workpiece by means of 2 clamps
  - guide tool with base-plate along edge of wood which now functions as a parallel guide
- When using bits with a pilot or ball bearing, the pilot or ball bearing should slide along the edge of the workpiece which should be perfectly smooth <sup>(17)</sup>
- For larger routing depths, it is recommended to carry out several repetitive cuts with lower removal rates

## MAINTENANCE / SERVICE

- This tool is not intended for professional use
- Always keep tool and cord clean (especially ventilation slots S <sup>(2)</sup>)
- Lubricate sliding bars T <sup>(2)</sup> occasionally
- If the tool should fail despite the care taken in manufacturing and testing procedures, repair should be carried out by an after-sales service centre for SKIL power tools
  - send the tool **undismantled** together with proof of purchase to your dealer or the nearest SKIL service station (addresses as well as the service diagram of the tool are listed on [www.skil.com](http://www.skil.com))

## ENVIRONMENT

- **Do not dispose of electric tools, accessories and packaging together with household waste material** (only for EU countries)
  - in observance of European Directive 2012/19/EC on waste of electric and electronic equipment and its implementation in accordance with national law, electric tools that have reached the end of their life must be collected separately and returned to an environmentally compatible recycling facility
  - symbol <sup>(18)</sup> will remind you of this when the need for disposing occurs

## DECLARATION OF CONFORMITY C E

- We declare under our sole responsibility that the product described under "Technical data" is in conformity with the following standards or standardization documents: EN 60745, EN 61000, EN 55014, in accordance with the provisions of the directives 2004/108/EC, 2006/42/EC, 2011/65/EU, 2009/125/EC (EU regulation 1194/2012)
- **Technical file at:** SKIL Europe BV (PT-SEU/ENG1), 4825 BD Breda, NL

Marijn van der Hoofden  
Operations & Engineering

Olaf Dijkgraaf  
Approval Manager

SKIL Europe BV, 4825 BD Breda, NL

05.09.2014

## NOISE/VIBRATION

- Measured in accordance with EN 60745 the sound pressure level of this tool is 84 dB(A) and the sound power level 95 dB(A) (standard deviation: 3 dB), and the vibration 4.4 m/s<sup>2</sup> (hand-arm method; uncertainty K = 1.5 m/s<sup>2</sup>)
  - The vibration emission level has been measured in accordance with a standardised test given in EN 60745; it may be used to compare one tool with another and as a preliminary assessment of exposure to vibration when using the tool for the applications mentioned
    - using the tool for different applications, or with different or poorly maintained accessories, may significantly **increase** the exposure level
    - the times when the tool is switched off or when it is running but not actually doing the job, may significantly **reduce** the exposure level
- ! protect yourself against the effects of vibration by maintaining the tool and its accessories, keeping your hands warm, and organizing your work patterns**

F

## Défonceuse

1840

## INTRODUCTION

- L'outil est conçu pour le fraisage des rainures, bords, profils et rainures droites dans le bois, les matières plastiques et matériaux de construction légers ainsi que pour le fraisage par copiage
- Cet outil n'est conçu pour un usage professionnel
- L'éclairage de cet outil électroportatif est destiné à éclairer l'espace de travail de l'outil; il n'est pas conçu pour servir de source d'éclairage ambiant dans une pièce
- Lisez et conservez ce manuel d'instruction <sup>(3)</sup>

## CARACTERISTIQUES TECHNIQUES <sup>(1)</sup>

### ELEMENTS DE L'OUTIL <sup>(2)</sup>

- A Blocage de l'arbre
- B Chapeau
- C Clé
- D Jauge de profondeur
- E Bouton de réglage précis
- F Tourelle de butées de profondeur
- G Bouton de réglage (jauge de profondeur)
- H Levier de verrouillage
- J Molette pour régler la vitesse
- K Axe pour aspirateur
- L Interrupteur marche/arrêt
- M Bouton de blocage de l'interrupteur
- N Bouton de réglage (poignée)
- O Voyants DEL
- P Plaque adaptatrice
- Q Guide parallèle
- R Plaque de base
- S Fentes de ventilation
- T Axes de guidage
- V Tiges du guide parallèle

- W Bouton de réglage du guide longitudinal
- X Broche du guide parallèle
- Y Ecrou papillon du guide parallèle
- Z Tampon de courbe

## SECURITE

### INSTRUCTIONS GENERALES DE SECURITE

**ATTENTION! Lisez tous les avertissements de sécurité et toutes les instructions.** Ne pas suivre les avertissements et instructions peut entraîner un choc électrique, un incendie et/ou de graves blessures sur les personnes. **Conservez tous les avertissements et toutes les instructions pour pouvoir s'y reporter ultérieurement.** La notion d'"outil électroportatif" dans les avertissements se rapporte à des outils électriques raccordés au secteur (avec câble de raccordement) et à des outils électriques à batterie (sans câble de raccordement).

#### 1) SECURITE DE LA ZONE DE TRAVAIL

- a) **Maintenez l'endroit de travail propre et bien éclairé.**  
Un lieu de travail en désordre ou mal éclairé augmente le risque d'accidents.
- b) **N'utilisez pas l'appareil dans un environnement présentant des risques d'explosion et où se trouvent des liquides, des gaz ou poussières inflammables.** Les outils électroportatifs génèrent des étincelles risquant d'enflammer les poussières ou les vapeurs.
- c) **Tenez les enfants et autres personnes éloignés durant l'utilisation de l'outil électroportatif.** En cas d'inattention vous risquez de perdre le contrôle sur l'appareil.

#### 2) SECURITE RELATIVE AU SYSTEME ELECTRIQUE

- a) **La fiche de secteur de l'outil électroportatif doit être appropriée à la prise de courant. Ne modifiez en aucun cas la fiche. N'utilisez pas de fiches d'adaptateur avec des appareils avec mise à la terre.** Les fiches non modifiées et les prises de courant appropriées réduisent le risque de choc électrique.
- b) **Evitez le contact physique avec des surfaces mises à la terre telles que tuyaux, radiateurs, fours et réfrigérateurs.** Il y a un risque élevé de choc électrique au cas où votre corps serait relié à la terre.
- c) **N'exposez pas l'outil électroportatif à la pluie ou à l'humidité.** La pénétration d'eau dans un outil électroportatif augmente le risque d'un choc électrique.
- d) **N'utilisez pas le câble à d'autres fins que celles prévues, n'utilisez pas le câble pour porter l'appareil ou pour l'accrocher ou encore pour le débrancher de la prise de courant. Maintenez le câble éloigné des sources de chaleur, des parties grasses, des bords tranchants ou des parties de l'appareil en rotation.** Un câble endommagé ou torsadé augmente le risque d'un choc électrique.
- e) **Au cas où vous utiliseriez l'outil électroportatif à l'extérieur, utilisez une rallonge autorisée homologuée pour les applications extérieures.** L'utilisation d'une rallonge électrique homologuée pour les applications extérieures réduit le risque d'un choc électrique.

- f) **Si l'usage d'un outil dans un emplacement humide est inévitable, utilisez un disjoncteur de fuite à la terre.** L'utilisation d'un disjoncteur de fuite à la terre réduit le risque de choc électrique.

#### 3) SECURITE DES PERSONNES

- a) **Restez vigilant, surveillez ce que vous faites. Faites preuve de bon sens en utilisant l'outil électroportatif. N'utilisez pas l'appareil lorsque vous êtes fatigué ou après avoir consommé de l'alcool, des drogues ou avoir pris des médicaments.** Un moment d'inattention lors de l'utilisation de l'appareil peut entraîner de graves blessures sur les personnes.
  - b) **Portez des équipements de protection. Portez toujours des lunettes de protection.** Le fait de porter des équipements de protection personnels tels que masque anti-poussières, chaussures de sécurité antidérapantes, casque de protection ou protection acoustique suivant le travail à effectuer, réduit le risque de blessures.
  - c) **Evitez tout démarrage intempestif. S'assurez que l'interrupteur est en position arrêté avant de brancher l'outil au secteur et/ou au bloc de batteries, de le ramasser ou de le porter.** Porter les outils en ayant le doigt sur l'interrupteur ou brancher des outils dont l'interrupteur est en position marche est source d'accidents.
  - d) **Enlevez tout outil de réglage ou toute clé avant de mettre l'appareil en fonctionnement.** Une clé ou un outil se trouvant sur une partie en rotation peut causer des blessures.
  - e) **Ne surestimez pas vos capacités. Veillez à garder toujours une position stable et équilibrée.** Ceci vous permet de mieux contrôler l'appareil dans des situations inattendues.
  - f) **Portez des vêtements appropriés. Ne portez pas de vêtements amples ni de bijoux. Maintenez cheveux, vêtements et gants éloignés des parties de l'appareil en rotation.** Des vêtements amples, des bijoux ou des cheveux longs peuvent être happés par des pièces en mouvement.
  - g) **Si des dispositifs servant à aspirer ou à recueillir les poussières doivent être utilisés, vérifiez que ceux-ci soient effectivement raccordés et qu'ils sont correctement utilisés.** L'utilisation des collecteurs de poussière réduit les dangers dus aux poussières.
- #### 4) UTILISATION ET EMPLOI SOIGNEUX DE L'OUTIL ELECTROPORTATIF
- a) **Ne surchargez pas l'appareil. Utilisez l'outil électroportatif approprié au travail à effectuer.** Avec l'outil électroportatif approprié, vous travaillerez mieux et avec plus de sécurité à la vitesse pour laquelle il est prévu.
  - b) **N'utilisez pas un outil électroportatif dont l'interrupteur est défectueux.** Un outil électroportatif qui ne peut plus être mis en ou hors fonctionnement est dangereux et doit être réparé.
  - c) **Débranchez la fiche de la source d'alimentation en courant et/ou le bloc de batteries de l'outil avant tout réglage, changement d'accessoires ou avant de ranger l'outil.** Cette mesure de précaution empêche une mise en fonctionnement par mégarde.
  - d) **Gardez les outils électroportatifs non utilisés hors de portée des enfants. Ne permettez pas l'utilisation**

de l'appareil à des personnes qui ne se sont pas familiarisées avec celui-ci ou qui n'ont pas lu ces instructions. Les outils électroportatifs sont dangereux lorsqu'ils sont utilisés par des personnes non initiées.

- e) **Prenez soin des outils électroportatifs. Vérifiez que les parties en mouvement fonctionnent correctement et qu'elles ne soient pas coincées, et contrôlez si des parties sont cassées ou endommagées de telle sorte que le bon fonctionnement de l'appareil s'en trouve entravé. Faites réparer les parties endommagées avant d'utiliser l'appareil.** De nombreux accidents sont dus à des outils électroportatifs mal entretenus.
  - f) **Maintenez les outils de coupe aiguisés et propres.** Des outils soigneusement entretenus avec des bords tranchants bien aiguisés se coincent moins souvent et peuvent être guidés plus facilement.
  - g) **Utilisez les outils électroportatifs, les accessoires, les outils à monter etc. conformément à ces instructions. Tenez compte également des conditions de travail et du travail à effectuer.** L'utilisation des outils électroportatifs à d'autres fins que celles prévues peut entraîner des situations dangereuses.
- 5) SERVICE**
- a) **Ne faites réparer votre outil électroportatif que par un personnel qualifié et seulement avec des pièces de rechange d'origine.** Ceci permet d'assurer la sécurité de l'appareil.

## INSTRUCTIONS DE SECURITE POUR DEFONCEUSES

### GENERALITES

- Cet outil ne doit pas être utilisé par des personnes de moins de 16 ans
- **Débranchez toujours l'outil avant tout réglage ou changement d'accessoire**

### ACCESSOIRES

- SKIL ne peut se porter garant du bon fonctionnement de cet outil que s'il a été utilisé avec les accessoires d'origine
- La vitesse admissible des accessoires utilisées doit être au moins aussi élevée que la vitesse à vide maximale de l'outil
- Ne jamais utilisez des fraises endommagées ou déformées
- N'utilisez que des fraises bien affûtées
- Protégez les accessoires contre les impacts, les chocs et la graisse
- N'utilisez que des fraises en acier rapide (HSS) ou au carbure avec cet outil

### AVANT L'USAGE

- Faites attention aux vis, clous ou autres éléments qui pourraient se trouver dans la pièce à travailler et qui risqueraient d'endommager très fortement votre outil; enlevez-les avant de commencer le travail
- Contrôlez toujours si la tension secteur correspond à la tension indiquée sur la plaquette signalétique de l'outil (les outils conçus pour une tension de 230V ou 240V peuvent également être branchés sur 220V)
- **Ne travaillez pas de matériaux contenant de l'amiante** (l'amiante est considérée comme étant cancérigène)

- **Utilisez des pinces ou tout autre système pratique pour fixer et soutenir la pièce à travailler sur une surface stable** (si vous la tenez dans la main ou contre le corps, elle peut devenir instable et risquer de vous échapper)
  - Ne pas serrer l'outil dans un étai
  - Utilisez un câble de prolongement complètement déroulé et de bonne qualité d'une capacité de 16 A
  - Le niveau sonore en fonctionnement peut dépasser 85 dB(A); munissez-vous de casques anti-bruit
  - La poussière de matériaux, tels que la peinture contenant du plomb, certaines espèces de bois, certains minéraux et différents métaux, peut être nocive (le contact avec la poussière ou son inhalation peut provoquer des réactions allergiques et/ou des maladies respiratoires chez l'opérateur ou des personnes se trouvant à proximité); **portez un masque antipoussières et travaillez avec un appareil de dépoussiérage lorsqu'il est possible d'en connecter un**
  - Certains types de poussières sont classifiés comme étant cancérigènes (tels que la poussière de chêne ou de hêtre), en particulier en combinaison avec des additifs de traitement du bois; **portez un masque antipoussières et travaillez avec un appareil de dépoussiérage lorsqu'il est possible d'en connecter un**
  - Suivez les directives nationales relatives au dépoussiérage pour les matériaux à travailler
  - S'assurez que l'outil est hors service en le branchant **PENDANT L'USAGE**
  - **Tenez l'outil électroportatif par ses poignées isolées, car le dispositif de coupe peut entrer en contact avec son propre câble** (couper un fil sous tension peut mettre sous tension des parties métalliques exposées et cela pourrait électrocuter l'utilisateur)
  - Tenez toujours le câble éloigné des parties mobiles de l'outil; orientez le câble vers l'arrière le plus loin possible de l'outil
  - Ne jamais utilisez l'outil avec le câble ou la plaque-base R ② (= dispositif de protection) endommagée; faites-les remplacer par un technicien qualifié
  - Evitez de laisser vos doigts près de la fraise quand l'outil est en marche
  - Ne jamais dépassez la profondeur de coupe maximale de la fraise en coupant
  - En cas de dysfonctionnement électrique ou mécanique, mettez directement l'outil hors service et débranchez la fiche
  - Au cas où la fraise est bloquée, ayant pour conséquence des saccades, mettez directement l'outil hors service
  - En cas d'interruption de courant ou de débranchement accidentel de la fiche, éteignez l'outil immédiatement pour l'empêcher de redémarrer de façon inopinée
  - Ne pas exercer une pression excessive sur l'outil, de sorte qu'il s'arrête
- APRES L'USAGE**
- Une fois le travail terminé, desserrez le levier H ②, remettez l'outil dans sa position initiale supérieure, puis arrêtez l'outil

## UTILISATION

- Montage/démontage des fraises ④
  - ! **arrêtez l'outil et débranchez la prise**
  - ! **assurez-vous que l'arbre de la fraise soit parfaitement propre**
  - ! **assurez-vous que la dimension de la douille (6 mm, 8 mm) corresponde à la taille de l'arbre de la fraise**
  - tournez l'outil à l'envers
  - bloquez l'arbre en poussant sur le blocage de l'arbre A (tournez l'écrou de la douille B, si nécessaire) et le maintenez tandis que vous
- POUR MONTER:
  - desserrez l'écrou de la douille B avec la clé C
  - insérez la fraise 3/4 dans la douille
  - serrez l'écrou de la douille fermement avec la clé C
- POUR DEMONTER:
  - desserrez l'écrou de la douille B avec la clé C
  - retirez la fraise
  - relâchez le blocage de l'arbre A
  - ! **pour rendre libre la fraise il peut être nécessaire de taper sur l'écrou de la douille avec la clé ⑤**
  - ! **ne jamais serrez l'écrou, s'il n'y a pas de fraise dans la douille; celle-ci pourrait être endommagée**
- Changement de la douille
  - ! **arrêtez l'outil et débranchez la prise**
  - ! **assurez-vous que l'arbre de la douille soit parfaitement propre**
  - desserrez l'écrou de la douille B de 2 ou 3 tours
  - tapez légèrement sur l'écrou de la douille B à l'aide de la clé C
  - retirez l'écrou de la douille B et la douille (bloquez l'arbre)
  - tournez l'outil à l'envers
  - insérez une nouvelle douille dans l'arbre de la douille
  - montez l'écrou de la douille B (bloquez l'arbre)
  - ! **ne jamais serrez l'écrou, s'il n'y a pas de fraise dans la douille; celle-ci pourrait être endommagée**
- Réglage de la profondeur de fraisage ⑥
  - ! **arrêtez l'outil et débranchez la prise**
  - assurez-vous que la petite tige à l'intérieur de la jauge de profondeur D s'étende d'environ 3 mm (utilisez le bouton de réglage précis E) ⑥a
  - faites tourner la tourelle F jusqu'à ce que sa position la plus élevée s'engage juste en-dessous de la jauge de profondeur D (mise à zéro) ⑥b
  - desserrez le bouton G jusqu'à ce que la jauge de profondeur D tombe sous la tourelle de butées de profondeur F ⑥b
  - positionnez l'outil sur la pièce à travailler
  - desserrez le levier de verrouillage H ⑥c
  - poussez l'outil vers le bas jusqu'à ce que la fraise soit en contact avec la pièce à travailler ⑥d
  - serrez le levier de verrouillage H ⑥e
  - la profondeur de fraisage est maintenant réglée sur 0 mm (notez la valeur comme indiquée sur la graduation)
  - haussez la jauge de profondeur D d'autant de mm que nécessaire pour atteindre la profondeur de fraisage désirée et serrez le bouton G ⑥f

- desserrez le levier de verrouillage H et guidez à nouveau l'outil vers le haut
- utilisez le bouton de réglage précis E pour régler plus précisément la profondeur de fraisage (0-10 mm)
- avec la tourelle de butées de profondeur F l'on peut augmenter la profondeur de fraisage de 5 et 10 mm respectivement
- ! **réajustez la profondeur de fraisage après avoir changé des fraises**
- Contrôle de la vitesse ⑦
  - Pour optimiser les résultats sur différents matériaux
  - sélectionnez la vitesse de fraisage à l'aide de la molette J (aussi avec l'outil étant en marche)
  - utilisez le tableau ⑧ comme référence pour déterminer la bonne vitesse de fraisage
  - avant de commencer un travail, trouvez la vitesse optimale en faisant un essai sur un morceau de matériau
  - ! **après de longues périodes de travail à basse vitesse, laissez l'outil refroidir en le faisant marcher à haute vitesse pendant environ 3 minutes, sans charge**
- Aspiration de poussières ⑨
  - montez l'aspirateur sur l'axe K
  - ! **ne laissez jamais le tuyau de l'aspirateur gêner l'opération de fraisage**
- Utilisation de l'outil ⑩
  - réglez la profondeur de fraisage
  - ! **toujours tenez fermement l'outil à l'aide des deux mains**
  - ! **lorsque vous travaillez, tenez toujours l'outil par la(les) zone(s) de couleur grise**
  - positionnez l'outil sur la pièce à travailler
  - mettez en marche votre outil en poussant la gâchette L
  - pour une utilisation continue, verrouillez l'interrupteur en appuyant sur le bouton M
  - ! **avant que la fraise atteigne la pièce à travailler, l'outil doit tourner à la vitesse maximum**
  - desserrez le levier de verrouillage H et poussez lentement l'outil vers le bas jusqu'à ce que la jauge de profondeur D atteigne la tourelle de butées de profondeur F
  - serrez le levier de verrouillage H
  - effectuez le travail de fraisage en appliquant une vitesse d'avance régulière
  - l'outil doit toujours être placé à plat sur la pièce à travailler
  - en règle générale, vous devez tirer l'outil vers vous et non pas le pousser
  - déverrouillez l'interrupteur en appuyant à nouveau sur la gâchette L puis en le relâchant
  - une fois le travail terminé, desserrez le levier H et remettez l'outil dans sa position initiale supérieure
- Réglage de position des poignées ⑪
  - déverrouillez les poignées en faisant glisser les boutons N vers l'extérieur et tenez-les en tournant les poignées dans la position désirée
  - relâchez les deux boutons N jusqu'à ce qu'ils s'enclenchent (4 positions possibles)

- Selon les coupes à exécuter, procédez de la façon suivante
  - rappelez-vous que la fraise tourne dans le sens des aiguilles d'une montre
  - la fraise doit toujours tourner dans la pièce à travailler, ne pas s'éloigner de cela
- Montage du plat adaptateur P (pour reproduire avec un gabarit) <sup>13</sup>
- Montage du guide parallèle Q <sup>14</sup>
  - insérez les tiges V du guide parallèle dans les passants de la plaque-base R
  - faites glisser le guide parallèle pour obtenir la largeur désirée et fixez-le à l'aide des 2 molettes W
- Utilisation du guide parallèle comme guide circulaire <sup>15</sup>

**! commencez par faire reculer le guide parallèle**

  - fixez la broche X à l'aide de l'écrou à ailettes Y de la façon indiquée
  - insérez les tiges V dans la plaque-base R
  - enfoncez la broche X dans le centre indiqué de l'arc circulaire
  - fixez le guide parallèle à l'aide des 2 molettes W
  - guidez l'outil en le déplaçant à vitesse constante sur la pièce de travail
- Utilisation du guide parallèle avec le tampon de courbe Z <sup>16</sup>
  - montez le tampon de courbe Z (avec le rouleau de guidage monté) de la façon indiquée
  - guidez l'outil en le déplaçant le long du bord de la pièce de travail, en appuyant légèrement sur le côté

## CONSEILS D'UTILISATION

- Pour des coupes parallèles au côté de la pièce à travailler, utilisez le guide pour coupes parallèles
- Pour réaliser des coupes parallèles loin du côté de la pièce à travailler <sup>10</sup>
  - attachez un morceau de bois rectiligne sur la pièce à travailler au moyen de 2 serre-joints
  - guidez l'outil avec la plaque-base le long du côté du bois, qui maintenant fonctionne comme un guide pour coupes parallèles
- Lorsque vous utilisez des fraises à tourillon ou roulement à billes, faites glisser le tourillon ou roulement à billes le long de la pièce à travailler, dont la surface doit être parfaitement lisse <sup>17</sup>
- Pour des profondeurs de fraisage plus importantes, il est recommandé d'effectuer plusieurs passes successives avec un léger enlèvement de matière

## ENTRETIEN / SERVICE APRES-VENTE

- Cet outil n'est pas conçu pour un usage professionnel
- Gardez toujours votre outil et le câble propres (spécialement les aérations S <sup>2</sup>)
- Lubrifiez en temps les axes de guidage T <sup>2</sup>
- Si, malgré tous les soins apportés à la fabrication et au contrôle de l'outil, celui-ci devait avoir un défaut, la réparation ne doit être confiée qu'à une station de service après-vente agréée pour outillage SKIL
  - retournez l'outil **non démonté** avec votre preuve d'achat au revendeur ou au centre de service après-vente SKIL le plus proche (les adresses ainsi que la vue éclatée de l'outil figurent sur [www.skil.com](http://www.skil.com))

## ENVIRONNEMENT

- **Ne jetez pas les outils électriques, les accessoires et l'emballage dans les ordures ménagères** (pour les pays européens uniquement)
  - conformément à la directive européenne 2012/19/EG relative aux déchets d'équipements électriques ou électroniques, et à sa transposition dans la législation nationale, les outils électriques usés doivent être collectés séparément et faire l'objet d'un recyclage respectueux de l'environnement
  - le symbole <sup>18</sup> vous le rappellera au moment de la mise au rebut de l'outil

## DÉCLARATION DE CONFORMITÉ CE

- Nous déclarons sous notre propre responsabilité que le produit décrit sous "Caractéristiques techniques" est en conformité avec les normes ou documents normatifs suivants: EN 60745, EN 61000, EN 55014, conformément aux termes des réglementations en vigueur 2004/108/CE, 2006/42/CE, 2011/65/UE, 2009/125/CE (régulation UE 1194/2012)
- **Dossier technique auprès de:** SKIL Europe BV (PT-SEU/ENG1), 4825 BD Breda, NL

Marijn van der Hoofden      Olaf Dijkgraaf  
Operations & Engineering      Approval Manager




SKIL Europe BV, 4825 BD Breda, NL

05.09.2014

## BRUIT/VIBRATION

- Mesuré selon EN 60745 le niveau de la pression sonore de cet outil est 84 dB(A) et le niveau de la puissance sonore 95 dB(A) (déviations standard: 3 dB), et la vibration 4,4 m/s<sup>2</sup> (méthode main-bras; incertitude K = 1,5 m/s<sup>2</sup>)
- Le niveau de vibrations émises a été mesuré conformément à l'essai normalisé de la norme EN 60745; il peut être utilisé pour comparer plusieurs outils et pour réaliser une évaluation préliminaire de l'exposition aux vibrations lors de l'utilisation de l'outil pour les applications mentionnées
  - l'utilisation de l'outil dans d'autres applications, ou avec des accessoires différents ou mal entretenus, peut considérablement **augmenter** le niveau d'exposition
  - la mise hors tension de l'outil et sa non-utilisation pendant qu'il est allumé peuvent considérablement **réduire** le niveau d'exposition
- **! protégez-vous contre les effets des vibrations par un entretien correct de l'outil et de ses accessoires, en gardant vos mains chaudes et en structurant vos schémas de travail**

## EINLEITUNG

- Das Werkzeug ist bestimmt zum Fräsen von Nuten, Kanten, Profile und Langlöcher in Holz, Kunststoff und Leichtbaustoffen sowie zum Kopierfräsen
- Dieses Werkzeug eignet sich nicht für den professionellen Einsatz
- Das Werkzeug dieses Elektrowerkzeuges ist dazu bestimmt, den direkten Arbeitsbereich des Elektrowerkzeuges zu beleuchten und ist nicht geeignet zur Raumbeleuchtung im Haushalt
- Bitte diese Bedienungsanleitung sorgfältig lesen und aufbewahren ③

## TECHNISCHE DATEN ①

### WERKZEUGKOMPONENTEN ②

- A Wellenarretierung
- B Spannzangenmutter
- C Schlüssel
- D Tiefenanschlag
- E Feineinstellknopf
- F Revolvvertiefenanschlag
- G Einstellknopf (Tiefenanschlag)
- H Spannhebel
- J Drehzahlregler
- K Anbau für Staubsauger
- L Ein/Aus-Schalter
- M Knopf zum Feststellen des Schalters
- N Einstellknopf (Handgriff)
- O LED-Beleuchtung
- P Anschlussstück
- Q Seitenanschlag
- R Bodenplatte
- S Lüftungsschlitze
- T Gleitschienen
- V Führungsstangen
- W Knopf zur Einstellung des Seitenanschlags
- X Seitenanschlag-Bolzen
- Y Seitenanschlag-Flügelmutter
- Z Kurvenpuffer

## SICHERHEIT

### ALLGEMEINE SICHERHEITSHINWEISE

**⚠ ACHTUNG!** Lesen Sie alle Sicherheitshinweise und Anweisungen. Versäumnisse bei der Einhaltung der Sicherheitshinweise und Anweisungen können elektrischen Schlag, Brand und/oder schwere Verletzungen verursachen. **Bewahren Sie alle Sicherheitshinweise und Anweisungen für die Zukunft auf.** Der in den Sicherheitshinweisen verwendete Begriff "Elektrowerkzeug" bezieht sich auf netzbetriebene Elektrowerkzeuge (mit Netzkabel) und auf akkubetriebene Elektrowerkzeuge (ohne Netzkabel).

### 1) ARBEITSPLATZSICHERHEIT

- a) **Halten Sie Ihren Arbeitsbereich sauber und gut beleuchtet.** Unordnung oder unbeleuchtete Arbeitsbereiche können zu Unfällen führen.
- b) **Arbeiten Sie mit dem Gerät nicht in explosionsgefährdeter Umgebung, in der sich brennbare Flüssigkeiten, Gase oder Stäube befinden.** Elektrowerkzeuge erzeugen Funken, die den Staub oder die Dämpfe entzünden können.
- c) **Halten Sie Kinder und andere Personen während der Benutzung des Elektrowerkzeugs fern.** Bei Ablenkung können Sie die Kontrolle über das Gerät verlieren.

### 2) ELEKTRISCHE SICHERHEIT

- a) **Der Anschlusstecker des Gerätes muss in die Steckdose passen. Der Stecker darf in keiner Weise verändert werden. Verwenden Sie keine Adapterstecker gemeinsam mit schutzgeerdeten Geräten.** Unveränderte Stecker und passende Steckdosen verringern das Risiko eines elektrischen Schlages.
- b) **Vermeiden Sie Körperkontakt mit geerdeten Oberflächen, wie von Rohren, Heizungen, Herden und Kühlschränken.** Es besteht ein erhöhtes Risiko durch elektrischen Schlag, wenn Ihr Körper geerdet ist.
- c) **Halten Sie das Gerät von Regen oder Nässe fern.** Das Eindringen von Wasser in ein Elektrogerät erhöht das Risiko eines elektrischen Schlages.
- d) **Zweckentfremden Sie das Kabel nicht, um das Gerät zu tragen, aufzuhängen oder um den Stecker aus der Steckdose zu ziehen. Halten Sie das Kabel fern von Hitze, Öl, scharfen Kanten oder sich bewegenden Geräteteilen.** Beschädigte oder verwickelte Kabel erhöhen das Risiko eines elektrischen Schlages.
- e) **Wenn Sie mit einem Elektrowerkzeug im Freien arbeiten, verwenden Sie nur Verlängerungskabel, die auch für den Außenbereich zugelassen sind.** Die Anwendung eines für den Außenbereich geeigneten Verlängerungskabels verringert das Risiko eines elektrischen Schlages.
- f) **Wenn der Betrieb des Elektrowerkzeuges in feuchter Umgebung nicht vermeidbar ist, verwenden Sie einen Fehlerstromschutzschalter.** Der Einsatz eines Fehlerstromschutzschalters vermindert das Risiko eines elektrischen Schlages.

### 3) SICHERHEIT VON PERSONEN

- a) **Seien Sie aufmerksam, achten Sie darauf, was Sie tun, und gehen Sie mit Vernunft an die Arbeit mit einem Elektrowerkzeug. Benutzen Sie das Gerät nicht, wenn Sie müde sind oder unter dem Einfluss von Drogen, Alkohol oder Medikamenten stehen.** Ein Moment der Unachtsamkeit beim Gebrauch des Gerätes kann zu ernsthaften Verletzungen führen.
- b) **Tragen Sie persönliche Schutzausrüstung und immer eine Schutzbrille.** Das Tragen persönlicher Schutzausrüstung, wie Staubmaske, rutschfeste Sicherheitsschuhe, Schutzhelm oder Gehörschutz, je nach Art und Einsatz des Elektrowerkzeuges, verringert das Risiko von Verletzungen.
- c) **Vermeiden Sie eine unbeabsichtigte Inbetriebnahme. Vergewissern Sie sich, dass das**

- Elektrowerkzeug ausgeschaltet ist, bevor Sie es an die Stromversorgung und/oder den Akku anschließen, es aufnehmen oder tragen.** Wenn Sie beim Tragen des Elektrowerkzeuges den Finger am Schalter haben oder das Gerät eingeschaltet an die Stromversorgung anschließen, kann dies zu Unfällen führen.
- d) **Entfernen Sie Einstellwerkzeuge oder Schraubenschlüssel, bevor Sie das Gerät einschalten.** Ein Werkzeug oder Schlüssel, der sich in einem drehenden Geräteteil befindet, kann zu Verletzungen führen.
- e) **Überschätzen Sie sich nicht. Sorgen Sie für einen sicheren Stand und halten Sie jederzeit das Gleichgewicht.** Dadurch können Sie das Gerät in unerwarteten Situationen besser kontrollieren.
- f) **Tragen Sie geeignete Kleidung. Tragen Sie keine weite Kleidung oder Schmuck. Halten Sie Haare, Kleidung und Handschuhe fern von sich bewegenden Teilen.** Lockere Kleidung, Schmuck oder lange Haare können von sich bewegenden Teilen erfasst werden.
- g) **Wenn Staubabsaug- und -auffangeinrichtungen montiert werden können, vergewissern Sie sich, dass diese angeschlossen sind und richtig verwendet werden.** Verwendung einer Staubabsaugung verringert Gefährdungen durch Staub.
- 4) SORGFÄLTIGER UMGANG UND GEBRAUCH VON ELEKTROWERKZEUGEN**
- a) **Überlasten Sie das Gerät nicht. Verwenden Sie für Ihre Arbeit das dafür bestimmte Elektrowerkzeug.** Mit dem passenden Elektrowerkzeug arbeiten Sie besser und sicherer im angegebenen Leistungsbereich.
- b) **Benutzen Sie kein Elektrowerkzeug, dessen Schalter defekt ist.** Ein Elektrowerkzeug, das sich nicht mehr ein- oder ausschalten lässt, ist gefährlich und muss repariert werden.
- c) **Ziehen Sie den Stecker aus der Steckdose und/oder entfernen Sie den Akku, bevor Sie Geräteeinstellungen vornehmen, Zubehörteile wechseln oder das Gerät weglegen.** Diese Vorsichtsmaßnahme verhindert den unbeabsichtigten Start des Geräts.
- d) **Bewahren Sie unbenutzte Elektrowerkzeuge außerhalb der Reichweite von Kindern auf. Lassen Sie Personen das Gerät nicht benutzen, die mit diesem nicht vertraut sind oder diese Anweisungen nicht gelesen haben.** Elektrowerkzeuge sind gefährlich, wenn Sie von unerfahrenen Personen benutzt werden.
- e) **Pflegen Sie das Gerät mit Sorgfalt. Kontrollieren Sie, ob bewegliche Geräteteile einwandfrei funktionieren und nicht klemmen, ob Teile gebrochen oder so beschädigt sind, dass die Funktion des Gerätes beeinträchtigt ist. Lassen Sie beschädigte Teile vor dem Einsatz des Geräts reparieren.** Viele Unfälle haben ihre Ursache in schlecht gewarteten Elektrowerkzeugen.
- f) **Halten Sie Schneidwerkzeuge scharf und sauber.** Sorgfältig gepflegte Schneidwerkzeuge mit scharfen Schneidkanten verkleben sich weniger und sind leichter zu führen.
- g) **Verwenden Sie Elektrowerkzeug, Zubehör, Einsatzwerkzeuge usw. entsprechend diesen Anweisungen. Berücksichtigen Sie dabei die Arbeitsbedingungen und die auszuführende Tätigkeit.** Der Gebrauch von Elektrowerkzeugen für andere als die vorgesehenen Anwendungen kann zu gefährlichen Situationen führen.
- 5) SERVICE**
- a) **Lassen Sie Ihr Gerät nur von qualifiziertem Fachpersonal und nur mit Original-Ersatzteilen reparieren.** Damit wird sichergestellt, dass die Sicherheit des Geräts erhalten bleibt.

## SICHERHEITSHINWEISE FÜR OBERFRÄSEN

### ALLGEMEINES

- Der Benutzer dieses Werkzeuges sollte älter als 16 Jahre sein
- **Ziehen Sie grundsätzlich den Netzstecker, bevor Sie beliebige Änderungen an den Einstellungen oder einen Zubehörwechsel vornehmen**

### ZUBEHÖR

- SKIL kann nur dann die einwandfreie Funktion des Werkzeuges zusichern, wenn Original-Zubehör verwendet wird
- Nur Zubehör verwenden, dessen zulässige Drehzahl mindestens so hoch ist wie die höchste Leerlaufdrehzahl des Werkzeuges
- Keine rissige oder verformte Fräsköpfe benutzen
- Nur scharfe Fräsköpfe benutzen
- Zubehör schützen vor Stoß-, Schlag- und Fetteinwirkung
- Mit diesem Werkzeug nur Hochleistungs-Schnellstahl (HSS)- oder Hartmetall-Fräsköpfe benutzen

### VOR DER ANWENDUNG

- Beschädigungen durch Schrauben, Nägel und ähnliches an Ihrem Werkstück vermeiden; diese vor Arbeitsbeginn entfernen
- Stets nachprüfen, daß die Netzspannung mit der auf dem Typenschild des Werkzeuges angegebenen Spannung übereinstimmt (mit 230V oder 240V beschriftete Werkzeuge können auch an 220V betrieben werden)
- **Bearbeiten Sie kein asbesthaltiges Material** (Asbest gilt als krebserregend)
- **Verwenden Sie Klemmen oder andere praktische Vorrichtungen, um das Werkstück an einer stabilen Plattform zu sichern und zu befestigen** (wenn das Werkstück in der Hand oder gegen den Körper gehalten wird, ist es nicht stabil und man kann die Kontrolle verlieren)
- Das Werkzeug darf nicht in einen Schraubstock gespannt werden
- Bei Benutzung von Verlängerungskabeln ist darauf zu achten, daß das Kabel vollständig abgerollt ist und eine Kapazität von 16 A hat
- Der Geräuschpegel beim Arbeiten kann 85 dB(A) überschreiten; Gehörschutz tragen
- Staub von Materialien wie Farbe, die Blei enthält, einigen Holzarten, Mineralien und Metall kann schädlich sein (Kontakt mit oder Einatmen des Staubs kann zu allergischen Reaktionen und/oder Atemwegserkrankheiten beim Bediener oder Umstehenden führen); **tragen Sie eine Staubmaske und arbeiten Sie mit einem**



### **Staubabsaugungssystem, wenn ein solches angeschlossen werden kann**

- Bestimmte Arten von Staub sind als karzinogen klassifiziert (beispielsweise Eichen- und Buchenholzstaub), insbesondere in Verbindung mit Zusätzen für die Holzvorbehandlung; **tragen Sie eine Staubmaske und arbeiten Sie mit einem Staubabsaugungssystem, wenn ein solches angeschlossen werden kann**
- Beachten Sie die für Ihr verwendetes Verbrauchsmaterial gültigen nationalen Staubschutzvorgaben
- Beim Anschließen sicherstellen, daß das Werkzeug ausgeschaltet ist

### **WÄHREND DER ANWENDUNG**

- **Fassen Sie das Elektrowerkzeug nur an den isolierten Griffflächen an, da die Schneidvorrichtung mit seinem eigenen Netzkabel in Berührung kommen kann** (ein Einschneiden eines spannungsführenden Kabels kann zu einer Spannungsübertragung auf die ungeschützten Metallteile des Elektrowerkzeuges führen und kann so dem Bediener einen Stromschlag versetzen)
- Das Kabel immer von umlaufenden Teilen des Werkzeuges fernhalten; das Kabel nach hinten vom Werkzeug weg führen
- Werkzeug nicht weiter verwenden, wenn das Kabel oder die Bodenplatte R ② (= Schutzvorrichtung) beschädigt ist; lassen Sie dieses von einem anerkannten Elektrofachmann ersetzen
- Hände und Finger dürfen beim Einschalten des Werkzeuges nicht in der Nähe des Fräskopfes sein
- Niemals die Maximalfrästiefe des Fräskopfes während der Schnittarbeit überschreiten
- Bei elektrischer oder mechanischer Fehlfunktion das Werkzeug sofort ausschalten und den Netzstecker ziehen
- Falls der Fräskopf blockiert ist und dies zu ruckartigen Kräften am Werkzeug führt, das Werkzeug sofort ausschalten
- Bei Unterbrechung der Stromversorgung oder versehentlichem Ziehen des Netzsteckers das Werkzeug sofort abschalten, um unkontrollierten Wiederanlauf zu verhindern
- Nicht soviel Druck auf das Werkzeug ausüben, daß es zum Stillstand kommt

### **NACH DER ANWENDUNG**

- Nach beendeter Arbeit Hebel H ② lösen, das Werkzeug in die obere Ausgangsstellung zurückführen und ausschalten

## **BEDIENUNG**

- Einsetzen/Entfernen der Fräsköpfe ④  
**! das Werkzeug ausschalten und den Netzstecker ziehen**  
**! darauf achten, daß die Fräskopfwelle absolut sauber ist**  
**! darauf achten, daß sämtliche Fräsköpfe und Spannhülsen (6 mm, 8 mm) zueinander passen**
  - Werkzeug umdrehen
  - Welle durch Drücken der Wellenarretierung A feststellen (Spannmutter B, wenn nötig, etwas drehen) und diese gedrückt halten, während Sie

### **FÜR DAS EINSETZEN:**

- Spannmutter B mit Spanschlüssel C lösen
- Fräskopf 3/4 in Spannhülse setzen
- Spannmutter mit Spanschlüssel C fest anziehen

### **FÜR DAS ENTFERNEN:**

- Spannmutter B mit Spanschlüssel C lösen
- Fräskopf entfernen
- Wellenarretierung A lösen

**! ein festsitzender Fräskopf kann durch einen Schlag mit dem Spanschlüssel auf die Spannmutter gelöst werden ⑤**

**! niemals Spannmutter anziehen, wenn sich kein Fräskopf in der Spannhülse befindet; Spannhülse könnte beschädigt werden**

- Wechseln der Spannhülse

**! das Werkzeug ausschalten und den Netzstecker ziehen**

**! achten Sie darauf, daß die Spannwellen absolut sauber ist**

- Spannmutter B 2 oder 3 Umdrehungen lockern
- mit Spanschlüssel C auf Spannmutter B klopfen
- Spannmutter B und Spannhülse entfernen (Welle feststellen)
- Werkzeug umdrehen

- neue Spannhülse in Spannwellen einsetzen
- Spannmutter B montieren (Welle feststellen)

**! niemals Spannmutter anziehen, wenn sich kein Fräskopf in der Spannhülse befindet; Spannhülse könnte beschädigt werden**

- Einstellen der Frästiefe ⑥

**! das Werkzeug ausschalten und den Netzstecker ziehen**

- stellen Sie sicher, dass die kleine Stange mit Tiefeneinstellung D ca. 3 mm übersteht (dazu Feineinstellknopf E verwenden) ⑥a
- drehen Sie den Revolvertiefenanschlag F so, dass seine höchste Stellung rechts unter der Tiefeneinstellung D einrastet (zum Nullen) ⑥b
- lösen Sie den Knopf G so, dass die Tiefeneinstellung D auf den Revolvertiefenanschlag F fällt ⑥b
- das Werkzeug am Werkstück anlegen
- lösen Sie den Spannhel H ⑥c
- Werkzeug nach unten drücken, bis Fräskopf auf Werkstück aufliegt ⑥d
- ziehen Sie den Spannhel H an ⑥e
- die Frästiefe ist nun auf 0 mm eingestellt (notieren Sie den Wert auf der Tiefenskala)
- verstellen Sie die Tiefeneinstellung D bis zur gewünschten Frästiefe in mm, und ziehen Sie den Knopf G an ⑥f
- lösen Sie den Spannhel H und führen Sie das Werkzeug wieder nach oben zurück
- verwenden Sie den Feineinstellknopf E um die Frästiefe genauer einzustellen (0-10 mm)
- mit dem Revolvertiefenanschlag F kann die Frästiefe um jeweils 5 oder 10 mm erhöht werden
- ! stellen Sie die Frästiefe nach einem Fräskopfwechsel wieder neu ein**

- Drehzahlregelung ⑦  
Für optimale Fräsergebnisse bei verschiedenen Werkstoffen
  - Fräsdrehzahl mit Rad J wählen (auch bei sich drehendem Werkzeug)
  - Tabelle ⑧ zur Ermittlung der richtigen Fräsdrehzahl benutzen
  - vor Arbeitsbeginn die optimale Drehzahl durch Ausprobieren an einem Übungsstück ermitteln
- ! **nach längerem Arbeiten bei niedriger Drehzahl das Werkzeug abkühlen lassen, indem man es etwa 3 Minuten bei hoher Drehzahl unbelastet laufen lässt**
- Staubabsaugung ⑨
  - Staubsaugerschlauch auf Anbau K stecken
- ! **der Staubsaugerschlauch darf den Fräsbetrieb niemals behindern**
- Bedienung des Werkzeuges ⑩
  - Frästiefe einstellen
- ! **halten Sie das Werkzeug immer mit beiden Händen fest**
- ! **Werkzeug beim Arbeiten immer am grauen Griffbereich fassen**
  - das Werkzeug am Werkstück anlegen
  - das Werkzeug wird durch Druck auf Schalter L eingeschaltet
  - den Schalter für den Dauerbetrieb feststellen durch Drücken der Taste M
- ! **bevor der Fräskopf in das Werkstück eingeführt wird, muß erst Höchstgeschwindigkeit erreicht werden**
  - lösen Sie den Spannhebel H und drücken Sie langsam das Werkzeug nach unten, bis die Tiefeneinstellung D den Revolvvertiefenanschlag F erreicht
  - ziehen Sie den Spannhebel H an
  - Fräsvorgang mit gleichmäßigem Vorschub vornehmen
  - beim Führen des Werkzeuges die Bodenplatte flach auf dem Werkstück halten
  - im Allgemeinen soll man das Werkzeug beim Arbeiten "ziehen", nicht schieben
  - lösen Sie die Feststellung durch wieder auf Schalter L zu drücken und diese dann loszulassen
  - nach beendeter Arbeit Hebel H lösen und das Werkzeug in die obere Ausgangsstellung zurückführen
- Griffstellung ⑪ einstellen
  - beide Griffe entriegeln, indem Sie Knöpfe N in die äußere Stellung schieben und halten beim Drehen der Griffe in die gewünschte Stellung
  - beide Knöpfe N loslassen, bis sie wieder einrasten (4 Stellungen möglich)
- Richtiges Führen für verschiedene Schnitte
  - darauf achten, daß die Drehrichtung des Fräskopfes im Uhrzeigersinn erfolgt
  - das Werkzeug so führen, daß sich der Fräskopf in das Werkstück hineindreht und nicht davon wegdreht
- Montieren der Adapterplatte P (zum Arbeiten nach einer Vorlage) ⑬
- Montieren des Seitenanschlags Q ⑭
  - die Führungsstangen V durch die vorhandenen Bohrungen der Bodenplatte R schieben
  - Seitenanschlag auf gewünschte Länge bringen und mit 2 Knöpfen W befestigen

- Benutzung des Seitenanschlags als Rundführung ⑮
  - ! **Seitenanschlag zuerst umkehren**
  - Stift X lt. Abbildung mit Flügelmutter Y befestigen
  - Stangen V in Bodenplatte R schieben
  - Stift X in markierte Mitte des Kreisbogens eindrücken
  - Seitenanschlag mit 2 Knöpfen W befestigen
  - das Werkzeug mit gleichmäßigem Vorschub über das Werkstück führen
- Benutzung des Seitenanschlags mit Kurvenpuffer Z ⑯
  - Kurvenpuffer Z (mit montierter Führungswalze) lt. Abbildung montieren
  - das Werkzeug die Werkstückkante entlang mit leichtem Seitwärtsdruck führen

## ANWENDUNGSHINWEISE

- Für Schnitte, die parallel zur Kante Ihres Arbeitsstückes verlaufen, den Seitenanschlag verwenden
- Für Parallelschnitte, die dafür zu weit von der Kante Ihres Werkstückes entfernt sind ⑩
  - ein massives Holzstück auf Ihrem Arbeitsstück mit 2 Schraubklemmen montieren
  - das Werkzeug mit der Bodenplatte entlang der Kante des Holzstückes führen, das Ihnen jetzt als Seitenanschlag dient
- Bei Bits mit einem Führungszapfen oder Kugellager muß der Führungszapfen oder das Kugellager an der Außenseite des Werkstückes, die möglichst glatt sein sollte, geführt werden ⑦
- Bei größeren Frästiefen ist es empfehlenswert, nacheinander mehrere Bearbeitungsgänge mit geringerer Spanabnahme vorzunehmen

## WARTUNG / SERVICE

- Dieses Werkzeug eignet sich nicht für den professionellen Einsatz
- Halten Sie Werkzeug und Kabel immer sauber (insbesondere die Lüftungsschlitze S ②)
- Die Gleitschienen T ② gelegentlich schmieren
- Sollte das Elektrowerkzeug trotz sorgfältiger Herstellungs- und Prüfverfahren einmal ausfallen, ist die Reparatur von einer autorisierten Kundendienststelle für SKIL-Elektrowerkzeuge ausführen zu lassen
  - das Werkzeug **unzerlegt**, zusammen mit dem Kaufbeleg, an den Lieferer oder die nächste SKIL-Vertragswerkstätte senden (die Anschriften so wie die Ersatzteilzeichnung des Werkzeuges finden Sie unter [www.skil.com](http://www.skil.com))

## UMWELT

- **Elektrowerkzeuge, Zubehör und Verpackungen nicht in den Hausmüll werfen** (nur für EU-Länder)
  - gemäss Europäischer Richtlinie 2012/19/EG über Elektro- und Elektronik- Altgeräte und Umsetzung in nationales Recht müssen nicht mehr gebrauchsfähige Elektrowerkzeuge getrennt gesammelt und einer umweltgerechten Wiederverwertung zugeführt werden
  - hieran soll Sie Symbol ⑱ erinnern

## KONFORMITÄTSERKLÄRUNG CE

- Wir erklären in alleiniger Verantwortung, daß das unter "Technische Daten" beschriebene Produkt mit den folgenden Normen oder normativen Dokumenten übereinstimmt: EN 60745, EN 61000, EN 55014, gemäß den Bestimmungen der Richtlinien 2004/108/EG, 2006/42/EG, 2011/65/EU, 2009/125/EG (EU Vorschrift 1194/2012)
- **Technische Unterlagen bei:** SKIL Europe BV (PT-SEU/ENG1), 4825 BD Breda, NL

Marijn van der Hoofden  
Operations & Engineering

Olaf Dijkgraaf  
Approval Manager

SKIL Europe BV, 4825 BD Breda, NL

05.09.2014

### GERÄUSCH/VIBRATION

- Gemessen gemäß EN 60745 beträgt der Schalldruckpegel dieses Gerätes 84 dB(A) und der Schalleistungspegel 95 dB(A) (Standardabweichung: 3 dB), und die Vibration 4,4 m/s<sup>2</sup> (Hand-Arm Methode; Unsicherheit K = 1,5 m/s<sup>2</sup>)
  - Die Vibrationsemissionsstufe wurde mit einem standardisierten Test gemäß EN 60745 gemessen; Sie kann verwendet werden, um ein Werkzeug mit einem anderen zu vergleichen und als vorläufige Beurteilung der Vibrationsexposition bei Verwendung des Werkzeugs für die angegebenen Anwendungszwecke
    - die Verwendung des Werkzeugs für andere Anwendungen oder mit anderem oder schlecht gewartetem Zubehör kann die Expositionsstufe erheblich **erhöhen**
    - Zeiten, zu denen das Werkzeug ausgeschaltet ist, oder wenn es läuft aber eigentlich nicht eingesetzt wird, können die Expositionsstufe erheblich **verringern**
- ! schützen Sie sich vor den Auswirkungen der Vibration durch Wartung des Werkzeugs und des Zubehörs, halten Sie Ihre Hände warm und organisieren Sie Ihren Arbeitsablauf**

NL

**Bovenfrees**

**1840**

### INTRODUCTIE

- De machine is bestemd voor zowel het frezen van groeven, randen, profielen en langgaten in hout, kunststof en lichte bouwmaterialen, als voor kopierfrezen
- Deze machine is niet bedoeld voor professioneel gebruik
- Het licht van dit elektrische gereedschap is bestemd om het directe werkbereik van het elektrische gereedschap te verlichten en is niet geschikt voor ruimteverlichting in het huishouden
- Lees en bewaar deze gebruiksaanwijzing ③

## TECHNISCHE GEGEVENS ①

### MACHINE-ELEMENTEN ②

- A** Asblokkering
- B** Spanmoer
- C** Sleutel
- D** Diepteaanslag
- E** Instelknop
- F** Revolverkop met diepte-aanslagen
- G** Verstelknop (diepteaanslag)
- H** Vergrendelingshendel
- J** Toerental-instelwiel
- K** Aansluitstuk voor stofzuiger
- L** Aan/uit schakelaar
- M** Knop voor vastzetten van schakelaar
- N** Verstelknop (hendel)
- O** LED-lampjes
- P** Accessoiresplaat
- Q** Breedtegeleider
- R** Voetplaat
- S** Ventilatie-openingen
- T** Glijstangen
- V** Breedtegeleiderstaven
- W** Knop voor instellen breedtegeleider
- X** Breedtegeleiderpin
- Y** Breedtegeleiderveulgelmoer
- Z** Bochtenhulpstuk

### VEILIGHEID

#### ALGEMENE VEILIGHEIDSVOORSCHRIFTEN

**⚠ LET OP! Lees alle veiligheidswaarschuwingen en alle voorschriften.** Als de waarschuwingen en voorschriften niet worden opgevolgd, kan dit een elektrische schok, brand of ernstig letsel tot gevolg hebben. **Bewaar alle waarschuwingen en voorschriften voor toekomstig gebruik.** Het in de waarschuwingen gebruikte begrip "elektrisch gereedschap" heeft betrekking op elektrische gereedschappen voor gebruik op het stroomnet (met netsnoer) en op elektrische gereedschappen voor gebruik met een accu (zonder netsnoer).

#### 1) VEILIGHEID VAN DE WERKOMGEVING

- Houd uw werkomgeving schoon en opgeruimd.** Een rommelige of onverlichte werkomgeving kan tot ongevallen leiden.
- Werk met het gereedschap niet in een omgeving met explosiegevaar waarin zich brandbare vloeistoffen, gasen of stof bevinden.** Elektrische gereedschappen veroorzaken vonken die het stof of de dampen tot ontsteking kunnen brengen.
- Houd kinderen en andere personen tijdens het gebruik van het elektrische gereedschap uit de buurt.** Wanneer u wordt afgeleid, kunt u de controle over het gereedschap verliezen.

#### 2) ELEKTRISCHE VEILIGHEID

- De aansluitstekker van het gereedschap moet in het stopcontact passen. De stekker mag in geen geval worden veranderd. Gebruik geen adapterstekkers in combinatie met geaarde gereedschappen.**

- Onveranderde stekkers en passende stopcontacten beperken het risico van een elektrische schok.
- b) **Voorkom aanraking van het lichaam met gearde oppervlakken, bijvoorbeeld van buizen, verwarmingen, fornuizen en koelkasten.** Er bestaat een verhoogd risico door een elektrische schok wanneer uw lichaam geaard is.
  - c) **Houd het gereedschap uit de buurt van regen en vocht.** Het binnendringen van water in het elektrische gereedschap vergroot het risico van een elektrische schok.
  - d) **Gebruik de kabel niet voor een verkeerd doel, om het gereedschap te dragen of op te hangen of om de stekker uit het stopcontact te trekken. Houd de kabel uit de buurt van hitte, olie, scherpe randen en bewegende gereedschapsdelen.** Beschadigde of in de war geraakte kabels vergroten het risico van een elektrische schok.
  - e) **Wanneer u buitenshuis met elektrisch gereedschap werkt, dient u alleen verlengkabels te gebruiken die voor gebruik buitenshuis zijn goedgekeurd.** Het gebruik van een voor gebruik buitenshuis geschikte verlengkabel beperkt het risico van een elektrische schok.
  - f) **Als het gebruik van het elektrische gereedschap in een vochtige omgeving onvermijdelijk is, dient u een aardlekschakelaar te gebruiken.** Het gebruik van een aardlekschakelaar vermindert het risico van een elektrische schok.

### 3) VEILIGHEID VAN PERSONEN

- a) **Wees alert, let goed op wat u doet en ga met verstand te werk bij het gebruik van het elektrische gereedschap. Gebruik het gereedschap niet wanneer u moe bent of onder invloed staat van drugs, alcohol of medicijnen.** Een moment van onoplettendheid bij het gebruik van het gereedschap kan tot ernstige verwondingen leiden.
- b) **Draag persoonlijke beschermende uitrusting en altijd een veiligheidsbril.** Het dragen van persoonlijke beschermende uitrusting zoals een stofmasker, slipvaste werkschoenen, een veiligheidshelm of gehoorbescherming, afhankelijk van de aard en het gebruik van het elektrische gereedschap, vermindert het risico van verwondingen.
- c) **Voorkom per ongeluk inschakelen. Controleer dat het elektrische gereedschap uitgeschakeld is voordat u de stekker in het stopcontact steekt of de accu aansluit en voordat u het gereedschap oppakt of draagt.** Wanneer u bij het dragen van het elektrische gereedschap uw vinger aan de schakelaar hebt of wanneer u het gereedschap ingeschakeld op de stroomvoorziening aansluit, kan dit tot ongevallen leiden.
- d) **Verwijder instelgereedschappen of schroefslutels voordat u het gereedschap inschakelt.** Een instelgereedschap of sleutel in een draaiend deel van het gereedschap kan tot verwondingen leiden.
- e) **Probeer niet ver te reiken. Zorg ervoor dat u stevig staat en steeds in evenwicht blijft.** Daardoor kunt u het gereedschap in onverwachte situaties beter onder controle houden.
- f) **Draag geschikte kleding. Draag geen loshangende kleding of sieraden. Houd haren, kleding en**

### handschoenen uit de buurt van bewegende delen.

- Loshangende kleding, sieraden en lange haren kunnen door bewegende delen worden meegenomen.
- g) **Wanneer stofafzuigings- of stofopvangvoorzieningen kunnen worden gemonteerd, dient u zich ervan te verzekeren dat deze zijn aangesloten en juist worden gebruikt.** Het gebruik van een stofafzuiging beperkt het gevaar door stof.
- ### 4) GEBRUIK EN ONDERHOUD VAN ELEKTRISCHE GEREEDSCHAPPEN
- a) **Overbelast het gereedschap niet. Gebruik voor uw werkzaamheden het daarvoor bestemde elektrische gereedschap.** Met het passende elektrische gereedschap werkt u beter en veiliger binnen het aangegeven capaciteitsbereik.
  - b) **Gebruik geen elektrisch gereedschap waarvan de schakelaar defect is.** Elektrisch gereedschap dat niet meer kan worden in- of uitgeschakeld, is gevaarlijk en moet worden gerepareerd.
  - c) **Trek de stekker uit het stopcontact of neem de accu uit het elektrische gereedschap voordat u het gereedschap instelt, toebehoren wisselt of het gereedschap weglegt.** Deze voorzorgsmaatregel voorkomt onbedoeld starten van het gereedschap.
  - d) **Bewaer niet-gebruikte elektrische gereedschappen buiten bereik van kinderen. Laat het gereedschap niet gebruiken door personen die er niet mee vertrouwd zijn en deze aanwijzingen niet hebben gelezen.** Elektrische gereedschappen zijn gevaarlijk wanneer deze door onervaren personen worden gebruikt.
  - e) **Verzorg het gereedschap zorgvuldig. Controleer of bewegende delen van het gereedschap correct functioneren en niet vastklemmen en of onderdelen zodanig gebroken of beschadigd zijn dat de werking van het gereedschap nadelig wordt beïnvloed. Laat beschadigde delen repareren voordat u het gereedschap gebruikt.** Veel ongevallen hebben hun oorzaak in slecht onderhouden elektrische gereedschappen.
  - f) **Houd snijdende inzetgereedschappen scherp en schoon.** Zorgvuldig onderhouden snijdende inzetgereedschappen met scherpe snijkanten klemmen minder snel vast en zijn gemakkelijker te geleiden.
  - g) **Gebruik elektrische gereedschappen, toebehoren, inzetgereedschappen en dergelijke volgens deze aanwijzingen. Let daarbij op de arbeidsomstandigheden en de uit te voeren werkzaamheden.** Het gebruik van elektrische gereedschappen voor andere dan de voorziene toepassingen kan tot gevaarlijke situaties leiden.

- ### 5) SERVICE
- a) **Laat het gereedschap alleen repareren door gekwalificeerd en vakkundig personeel en alleen met originele vervangsonderdelen.** Daarmee wordt gewaarborgd dat de veiligheid van het gereedschap in stand blijft.

### VEILIGHEIDSVOORSCHRIFTEN VOOR BOVENFREZEN

#### ALGEMEEN

- Deze machine mag niet worden gebruikt door personen onder de 16 jaar

- **Trek altijd de stekker uit het stopcontact voordat u een instelling verandert of een accessoire verwisselt**

#### ACCESSOIRES

- SKIL kan alleen een correcte werking van de machine garanderen, indien originele accessoires worden gebruikt
- Gebruik alleen accessoires met een toegestaan toerental, dat minstens even hoog is als het hoogste onbelaste toerental van de machine
- Gebruik geen beschadigde of vervormde frezen
- Gebruik alleen scherpe frezen
- Bescherm accessoires tegen slagen, stoten, en vet
- Gebruik bij deze machine altijd HSS- of hardmetalen frezen

#### VOÓR GEBRUIK

- Voorkom schade, die kan ontstaan door schroeven, spijkers en andere voorwerpen in uw werkstuk; verwijder deze, voordat u aan een karwei begint
- Controleer altijd of het voltage, dat vermeld staat op het typeplaatje van de machine, overeenkomt met de netspanning (met 230V of 240V aangeduide machines kunnen ook op 220V aangesloten worden)
- **Bewerk geen asbesthoudend materiaal** (asbest geldt als kankerverwekkend)
- **Gebruik klemmen of pas een andere handige manier toe om het werkstuk vast te zetten en te ondersteunen op een stabiel platform** (bij het in de hand of tegen het lichaam houden van het werkstuk, kan de machine niet goed onder controle worden gehouden)
- Klem de machine niet vast in een bankschroef
- Gebruik volledig uitgerolde en veilige verlengsnoeren met een capaciteit van 16 Ampère
- Tijdens het werken kan het geluidsniveau 85 dB(A) overschrijden; draag oorbeschermers
- Stof van materiaal zoals loodhoudende verf, sommige houtsoorten, mineralen en metaal kunnen schadelijk zijn (contact met of inademing van de stof kan allergische reacties en/of ademhalingsziekten bij gebruiker of omstanders veroorzaken); **draag een stofmasker en werk met een stofopvang-voorziening als die kan worden aangesloten**
- Bepaalde soorten stof zijn geclassificeerd als kankerverwekkend (zoals stof van eiken en beuken), met name in combinatie met toevoegingsmiddelen voor houtverzorging; **draag een stofmasker en werk met een stofopvang-voorziening als die kan worden aangesloten**
- Neem voor de door u te bewerken materialen de nationale voorschriften aangaande stofopvang in acht
- Zorg ervoor, dat de machine is uitgeschakeld, wanneer de stekker in het stopcontact gestoken wordt

#### TIJDENS GEBRUIK

- **Houd het elektrische gereedschap vast aan de geïsoleerde greepvlakken, omdat de snijder in contact kan komen met het snoer** (het doorsnijden van een onder spanning staand snoer kan blootgestelde metalen delen van het elektrische gereedschap onder spanning zetten, waardoor de gebruiker een schok kan krijgen)
- Houd het snoer altijd verwijderd van de bewegende delen van uw machine; richt het snoer naar achteren, van de machine weg

- Gebruik de machine niet, wanneer het snoer of de voetplaat R ② (= beschermkap) beschadigd is; laat deze door een erkende vakman vervangen
- Blijf met uw handen en vingers uit de buurt van de frees, wanneer de machine aan staat
- Nooit de maximale freesdiepte van de frees overschrijden tijdens het frezen
- In geval van elektrische of mechanische storing, de machine onmiddellijk uitschakelen en de stekker uit het stopcontact trekken
- Wanneer de frees geblokkeerd is, met een plotselinge reactiekracht van de machine als gevolg, de machine onmiddellijk uitschakelen
- Als de stroom is uitgevallen of de stekker per ongeluk uit het stopcontact wordt getrokken, de machine onmiddellijk uitschakelen om ongecontroleerd herstarten te voorkomen
- Belast de machine niet zó sterk, dat deze tot stilstand komt

#### NA GEBRUIK

- Na het einde van de werkzaamheden hendel H ② los draaien, de machine terug naar de beginstand bovenaan bewegen, en de machine uitschakelen

#### GEBRUIK

- Plaatsen/verwijderen van frezen ④
  - ! **schakel de machine uit en trek de stekker uit het stopcontact**
  - ! **zorg ervoor, dat de as van de frees perfect schoon is**
  - ! **zorg ervoor, dat de spantang-diameter (6 mm, 8 mm) overeenkomt met de as-diameter van de frees**
    - draai machine ondersteboven
    - vergrendel as door asblokkering A in te drukken (draai spanmoer B, indien nodig) en houd deze vast terwijl u
- VOOR HET PLAATSEN:
  - spanmoer B met sleutel C losdraait
  - de frees 3/4 in spantang plaatst
  - spanmoer stevig met sleutel C vastdraait
- VOOR HET VERWIJDEREN:
  - spanmoer B met sleutel C losdraait
  - de frees verwijderd
  - laat asblokkering A los
- ! **een vastzittende frees kan door een tik met de sleutel op spanmoer losgemaakt worden ⑤**
- ! **draai spanmoer nooit vast, wanneer er geen frees in spantang zit; spantang kan beschadigd worden**
- Verwisselen van spantang
  - ! **schakel de machine uit en trek de stekker uit het stopcontact**
  - ! **zorg ervoor, dat de as van de spantang perfect schoon is**
    - draai spanmoer B 2 of 3 slagen los
    - tik met sleutel C op spanmoer B
    - verwijder spanmoer B en spantang (vergrendel as)
    - draai machine ondersteboven
    - plaats nieuwe spantang in spantang-as
    - plaats spanmoer B terug (vergrendel as)
  - ! **draai spanmoer nooit vast, wanneer er geen frees in spantang zit; spantang kan beschadigd worden**

- Instelling van freesdiepte ⑥
  - ! **schakel de machine uit en trek de stekker uit het stopcontact**
  - zorg dat de kleine staaf binnen diepte-instelling D circa 3 mm uitsteekt (gebruik instelknop E) ⑥a
  - draai revolverkop F zodanig dat de hoogste positie ervan op zijn plaats klikt onder diepte-instelling D (nulafstelling) ⑥b
  - draai knop G los zodat diepte-instelling D op revolverkop met diepte-aanslag F valt ⑥b
  - plaats machine op werkstuk
  - draai vergrendelingshendel H los ⑥c
  - duw machine omlaag tot frees het werkstuk raakt ⑥d
  - zet vergrendelingshendel H vast ⑥e
  - freesdiepte is nu ingesteld op 0 mm (noteer waarde zoals aangegeven op schaalverdeling)
  - breng diepte-instelling D zoveel mm omhoog als de gewenste freesdiepte en draai knop G aan ⑥f
  - draai vergrendelingshendel H los en geleid het apparaat weer omhoog
  - gebruik instelknop E om de freesdiepte nauwkeuriger in te stellen (0-10 mm)
  - met revolverkop met diepte-aanslag F kan de freesdiepte worden verhoogd met respectievelijk 5 of 10 mm
  - ! **stel de freesdiepte opnieuw in nadat u frezen hebt verwisseld**
- Toerentalregeling ⑦
  - Voor optimale freesresultaten in verschillende materialen
  - selecteer freessnelheid met wielkje J (ook als de machine loopt)
  - gebruik tabel ⑧ als referentie voor het bepalen van de juiste freessnelheid
  - zoek, voordat u aan een karwei begint, het optimale toerental door uitproberen op rest-materiaal
  - ! **laat de machine, nadat u langere tijd met een laag toerental hebt gewerkt, afkoelen door hem ongeveer 3 minuten onbelast met een hoog toerental te laten draaien**
- Stofafzuiging ⑨
  - sluit een stofzuiger aan op aansluitstuk K
  - ! **laat de stofzuigerslang nooit het frezen belemmeren**
- Werken met de machine ⑩
  - stel de freesdiepte in
  - ! **houd de machine altijd stevig met beide handen vast**
  - ! **houd de machine tijdens het werk altijd vast bij het(de) grijs-gekleurde greepvlak(ken)**
  - plaats machine op werkstuk
  - zet uw machine aan door schakelaar L in te drukken
  - zet de schakelaar vast voor continu-gebruik door op knop M te drukken
  - ! **voordat de frees in aanraking komt met het werkstuk, moet uw machine op volle toeren draaien**
  - draai vergrendelingshendel H los en duw de machine langzaam naar beneden, totdat diepte-instelling D revolverkop met diepte-aanslag F bereikt
  - zet vergrendelingshendel H vast
  - verricht de freeswerkzaamheden met een gelijkmatige voortgangsbeweging

- gebruik uw machine met de voetplaat vlak op het werkstuk
- in het algemeen geldt, dat men de machine dient te trekken, niet te duwen
- ontgrendel schakelaar door trekker L nog eens in te drukken en dan los te laten
- na het einde van de werkzaamheden hendel H los draaien en de machine terug naar de beginstand bovenaan bewegen
- Stand van hendels afstellen ⑪
  - ontgrendel beide hendels door knoppen N naar de buitenste stand te schuiven en vast te houden terwijl u de hendels in de juiste stand draait
  - laat beide knoppen N los totdat deze vastklikken (4 standen mogelijk)
- Juiste geleiding
  - denk eraan, dat de frees rechtsondrecht draait
  - geleid de machine zodanig, dat de frees in het werkstuk draait, niet ervan weg
- Monteren van accessoire-plaat P (voor kopiëren met behulp van een mal) ⑬
- Monteren van breedtegeleider Q ⑭
  - steek breedtegeleiderstaven V door gaten in voetplaat R
  - schuif breedtegeleider tot gewenste breedte en zet deze vast met 2 knoppen W
- Gebruik van de breedtegeleider als rondzaaggeleider ⑮
  - ! **draai de breedtegeleider eerst om**
  - bevestig pin X met vleugelmoer Y zoals afgebeeld
  - steek staven V in voetplaat R
  - steek pin X in het gemarkeerde midden van de cirkelboog
  - zet breedtegeleider vast met 2 knoppen W
  - geleid de machine gelijkmatig over het werkstuk
- Gebruik van de breedtegeleider met bochtenhulpstuk Z ⑯
  - monteer bochtenhulpstuk Z (met gemonteerde geleidingsrol) zoals afgebeeld
  - geleid machine langs rand van werkstuk met lichte zijwaartse druk

## TOEPASSINGSADVIES

- Gebruik de breedtegeleider voor parallel-frezen aan de zijkant van uw werkstuk
- Voor parallel-frezen ver van de zijkant van uw werkstuk ⑩
  - een recht stuk hout op het werkstuk bevestigen door middel van twee klemmen
  - de machine met vlakke zijde van voet langs het stuk hout geleiden, dat nu als breedtegeleider dienst doet
- Bij het gebruik van frezen met een pen of lager, dient de pen of het lager te glijden langs de zijkant van het werkstuk, dat geheel vlak dient te zijn ⑰
- Bij grote freesdiepten wordt aangeraden een aantal opeenvolgende bewerkingstappen met een kleinere spaanafname uit te voeren

## ONDERHOUD / SERVICE

- Deze machine is niet bedoeld voor professioneel gebruik
- Houd machine en snoer altijd schoon (met name de ventilatie-openingen S ②)
- De glijstangen T ② dienen regelmatig gesmeerd te worden

- Mocht het elektrische gereedschap ondanks zorgvuldige fabricage- en testmethoden toch defect raken, dient de reparatie te worden uitgevoerd door een erkende klantenservice voor SKIL elektrische gereedschappen
  - stuur de machine **ongedemonteerd**, samen met het aankoopbewijs, naar het verkoopadres of het dichtstbijzijnde SKIL service-station (de adressen evenals de onderdeeletekening van de machine vindt u op [www.skil.com](http://www.skil.com))

## MILIEU

- **Geef electrisch gereedschap, accessoires en verpakkingen niet met het huisvuil mee** (alleen voor EU-landen)
  - volgens de Europese richtlijn 2012/19/EG inzake oude elektrische en elektronische apparaten en de toepassing daarvan binnen de nationale wetgeving, dient afgedankt electrisch gereedschap gescheiden te worden ingezameld en te worden afgevoerd naar een recycle-bedrijf, dat voldoet aan de geldende milieu-eisen
  - symbool  zal u in het afdankstadium hieraan herinneren

## CONFORMITEITSVERKLARING CE

- Wij verklaren als alleen verantwoordelijke, dat het onder "Technische gegevens" beschreven product voldoet aan de volgende normen of normatieve documenten: EN 60745, EN 61000, EN 55014, overeenkomstig de bepalingen van de richtlijnen 2004/108/EG, 2006/42/EG, 2011/65/EU, 2009/125/EG (EU reglement 1194/2012)
- **Technisch dossier bij:** SKIL Europe BV (PT-SEU/ENG1), 4825 BD Breda, NL

Marijn van der Hoofden  
Operations & Engineering

Olaf Dijkgraaf  
Approval Manager

SKIL Europe BV, 4825 BD Breda, NL

05.09.2014

## GELUID/VIBRATIE

- Gemeten volgens EN 60745 bedraagt het geluidsdrukniveau van deze machine 84 dB(A) en het geluidsvermogen-niveau 95 dB(A) (standaard deviatie: 3 dB), en de vibratie 4,4 m/s<sup>2</sup> (hand-arm methode; onzekerheid K = 1,5 m/s<sup>2</sup>)
- Het trillingsemissieniveau is gemeten in overeenstemming met een gestandaardiseerde test volgens EN 60745; deze mag worden gebruikt om twee machines met elkaar te vergelijken en als voorlopige beoordeling van de blootstelling aan trilling bij gebruik van de machine voor de vermelde toepassingen
  - gebruik van de machine voor andere toepassingen, of met andere of slecht onderhouden accessoires, kan het blootstellingsniveau aanzienlijk **verhogen**
  - wanneer de machine is uitgeschakeld of wanneer deze loopt maar geen werk verricht, kan dit het blootstellingsniveau aanzienlijk **reduceren**

**! bescherm uzelf tegen de gevolgen van trilling door de machine en de accessoires te onderhouden, uw handen warm te houden en uw werkwijze te organiseren**

S

## Handöverfräs

1840

## INTRODUKTION

- Maskinen är avsedd för fräsning av spår, kanter, profiler och ovala hål i trä, plast och lätta byggnadsmaterial samt för kopierfräsning
- Det här verktyget är inte avsedd för yrkesmässig användning
- Belysningen i detta elverktyg är avsett för att belysa verktygets direkta arbetsområde och är inte lämpligt för att lysa upp rum i bostaden
- Läs och spara denna instruktionsbok <sup>③</sup>

## TEKNISKA DATA <sup>①</sup>

## VERKTYGSELEMENT <sup>②</sup>

- A Axellås
- B Chuckmutter
- C Nyckel
- D Djupmätt
- E Finjusteringsknapp
- F Djupstopp-revolversockel
- G Justeringsknapp (djupmätt)
- H Låsspak
- J Hjul för varvtalsinställning
- K Anslutning för dammsugare
- L Till/från strömbrytare
- M Knapp för låsning av strömbrytare
- N Justeringsknapp (handtag)
- O Lysdioder
- P Adapterplatta
- Q Sidoanslag
- R Bottenplatta
- S Ventilationsöppningar
- T Glidskenor
- V Sidoanslagsstag
- W Knapp för justering av sidoanslag
- X Sidoanslagsstift
- Y Vingmutter till sidoanslag
- Z Kurvbuffert

## SÄKERHET

### ALLMÄNNA SÄKERHETSANVISNINGAR

**⚠ OBS! Läs noga igenom alla anvisningar.** Fel som uppstår till följd av att anvisningarna nedan inte följts kan orsaka elstöt, brand och/eller allvarliga kroppsskador. **Förvara alla varningar och anvisningar för framtida bruk.** Nedan använt begrepp "elverktyg" hänför sig till nätdrivna elverktyg (med nätsladd) och till batteridrivna elverktyg (sladdlösa).

### 1) ARBETSPLATSSÄKERHET

- a) **Håll arbetsplatsen ren och välbelyst.** Oordning på arbetsplatsen eller dåligt belyst arbetsområde kan leda till olyckor.
- b) **Använd inte elverktyget i explosionsfarlig omgivning med brännbara vätskor, gaser eller damm.** Elverktugen alstrar gnistor som kan antända dammet eller gaserna.
- c) **Håll under arbetet med elverktyget barn och obehöriga personer på betryggande avstånd.** Om du störs av obehöriga personer kan du förlora kontrollen över elverktyget.

### 2) ELEKTRISK SÄKERHET

- a) **Elverktygets stickpropp måste passa till vägguttaget. Stickproppen får absolut inte förändras. Använd inte adapterkontakter tillsammans med skyddsjordade elverktyg.** Oförändrade stickproppar och passande vägguttag reducerar risken för elektriskt slag.
- b) **Undvik kroppskontakt med jordade ytor som t. ex. rör, värmeelement, spisar och kylskåp.** Det finns en större risk för elektriskt slag om din kropp är jordad.
- c) **Skydda elverktyget mot regn och väta.** Tränger vatten in i ett elverktyg ökar risken för elektriskt slag.
- d) **Missbruka inte nätsladden och använd den inte för att bära eller hänga upp elverktyget och inte heller för att dra stickproppen ur vägguttaget. Håll nätsladden på avstånd från värme, olja, skarpa kanter och rörliga maskindelar.** Skadade eller tilltrasslade ledningar ökar risken för elektriskt slag.
- e) **När du arbetar med ett elverktyg utomhus använd endast förlängningssladdar som är godkända för utomhusbruk.** Om en lämplig förlängningssladd för utomhusbruk används minskar risken för elektriskt slag.
- f) **Använd en jordfelsbrytare om det inte är möjligt att undvika elverktygets användning i fuktig miljö.** Genom att använda en jordfelsbrytare minskas risken för elstöt.

### 3) PERSONSÄKERHET

- a) **Var uppmärksam, kontrollera vad du gör och använd elverktyget med förnuft. Använd inte elverktyget när du är trött eller om du är påverkad av droger, alkohol eller mediciner.** Under användning av elverktyg kan även en kort uppmärksamhet leda till allvarliga kroppsskador.
- b) **Bär alltid personlig skyddsutrustning och skyddsglasögon.** Användning av personlig skyddsutrustning som t. ex. dammfiltermask, halkfria säkerhetsskor, skyddshjälm och hörselskydd reducerar alltefter elverktygets typ och användning risken för kroppsskada.
- c) **Undvik oavsiktlig igångsättning. Kontrollera att elverktyget är fränkopplat innan du ansluter stickproppen till vägguttaget och/eller ansluter/tar bort batteriet, tar upp eller bär elverktyget.** Om du bär elverktyget med fingret på strömställaren eller ansluter påkopplat elverktyg till nätströmmen kan olycka uppstå.
- d) **Ta bort alla inställningsverktyg och skruvnycklar innan du kopplar på elverktyget.** Ett verktyg eller en nyckel i en roterande komponent kan medföra kroppsskada.

- e) **Överskatta inte din förmåga. Se till att du står stadigt och håller balansen.** I detta fall kan du lättare kontrollera elverktyget i oväntade situationer.
  - f) **Bär lämpliga kläder. Bär inte löst hängande kläder eller smycken. Håll håret, kläderna och handskarna på avstånd från rörliga delar.** Löst hängande kläder, smycken och långt hår kan dras in av roterande delar.
  - g) **Vid elverktyg med dammsugnings- och -uppsamlingsutrustning kontrollera att anordningarna är rätt monterade och används på korrekt sätt.** Användning av dammsugning minskar de risker damm orsakar.
- ### 4) OMSORGSFULL HANTERING OCH ANVÄNDNING AV ELVERKTYG
- a) **Överbelasta inte elverktyget. Använd för aktuellt arbete avsett elverktyg.** Med ett lämpligt elverktyg kan du arbeta bättre och säkrare inom angivet effektområde.
  - b) **Ett elverktyg med defekt strömställare får inte längre användas.** Ett elverktyg som inte kan kopplas in eller ur är farligt och måste repareras.
  - c) **Dra stickproppen ur vägguttaget och/eller ta bort batteriet innan inställningar utförs, tillbehörsdelar byts ut eller elverktyget lagras.** Denna skyddsåtgärd förhindrar oavsiktlig inkoppling av elverktyget.
  - d) **Förvara elverktygen oäktsamliga för barn. Låt elverktyget inte användas av personer som inte är förtrogna med dess användning eller inte läst denna anvisning.** Elverktugen är farliga om de används av oerfarna personer.
  - e) **Sköt elverktyget omsorgsfullt. Kontrollera att rörliga komponenter fungerar felfritt och inte kärvar, att komponenter inte brustit eller skadats; orsaker som kan leda till att elverktygets funktioner påverkas menligt. Låt skadade delar repareras innan elverktyget återanvänds.** Många olyckor orsakas av dåligt skötta elverktyg.
  - f) **Håll skärverktygen skarpa och rena.** Omsorgsfullt skötta skärverktyg med skarpa eggar kommer inte så lätt i kläm och går lättare att styra.
  - g) **Använd elverktyget, tillbehör, insatsverktyg osv. enligt dessa anvisningar. Ta hänsyn till arbetsvillkoren och arbetsmomenten.** Används elverktyget på icke ändamålsenligt sätt kan farliga situationer uppstå.
- ### 5) SERVICE
- a) **Låt elverktyget repareras endast av kvalificerad fackpersonal och med originalreservdelar.** Detta garanterar att elverktygets säkerhet upprätthålls.

### SÄKERHETSANVISNINGAR FÖR ÖVERFRÄSER

#### ALLMÄNT

- Den här maskinen ska inte användas av personer under 16 år
- **Dra alltid ur stickkontakten från väggurtaget innan du gör någon justering eller byter tillbehör**

#### TILLBEHÖR

- SKIL kan endast garantera att maskinen fungerar felfritt om originaltillbehör används
- Använd endast tillbehör vilkas tillåtna varvtal åtminstone motsvarar maskinens högsta tomgångsvarvtal
- Använd inte skadade eller deformerade fräs
- Använd endast skarpa fräs



- Skydda tillbehören från slag, stötar och fett
- Använd alltid en fräs, som är gjord av snabbstål, eller en hårdmetallfräs till denna maskin

#### FÖRE ANVÄNDNINGEN

- Undvik skador genom att ta bort skruvar, spikar eller andra föremål ur arbetsstycket; ta dem bort innan du startar ett arbete
- Kontrollera alltid att den tillförda strömtypen stämmer med spänningen som anges på maskinens märkplåt (maskiner med beteckningen 230V eller 240V kan även anslutas till 220V)
- **Asbesthaltigt material får inte bearbetas** (asbest anses vara cancerframkallande)
- **Använd klämmor eller något annat praktiskt sätt att säkra och stötta arbetsstycket mot en stabil plattform** (om du håller arbetsstycket i handen eller mot kroppen blir det instabilt, vilket kan leda till att du tappar kontrollen)
- Spänn inte fast maskinen i ett städ
- Använd helt utrullade och säkra förlängningssladdar med kapacitet på 16 A
- Ljudnivån vid arbete kan överskrida 85 dB(A); använd hörselskydd
- Viss typ av damm, exempelvis färg som innehåller bly, vissa träsorter, mineraler och metaller kan vara hälsovådliga om de inhaleras (hudkontakt eller inandning kan ge allergisk reaktion och/eller luftvägsproblem/ sjukdom hos personer i närheten); **använd andningsskydd och arbeta med en dammuppsamlare om sådan anslutning finns**
- Vissa typer av damm är klassificerade så som carcinogena (t.ex. ek- och björkdamm) särskilt i kombination med tillsatser för träbehandling; **använd andningsskydd och arbeta med en dammuppsamlare om sådan anslutning finns**
- Följ de nationella krav, som finns angående damm, för de material du skall arbeta med
- Se till att maskinen är avstängt innan du sätter i kontakten

#### UNDER ANVÄNDNINGEN

- **Håll elverktuget i det isolerade greppet eftersom saxen kan komma i kontakt med elsladden** (om en strömförande sladd skadas kan metalldelar i elverktuget också bli strömförande, vilket kan ge användaren en elektrisk stöt)
- Håll alltid sladden på säkert avstånd från rörliga maskindelar; för sladden bakåt bort från maskinen
- Använd ej maskinen om sladden eller botten R ② (= skyddsmekanismen) är trasig; låt den byta ut av en kvalificerad person
- Håll händer och fingrar borta från fräsen när maskinen är igång
- Överskrid aldrig maximalfräsdjupet av fräsen vid fräsning
- I händelse av onormala elektriska eller mekaniska störningar, stäng genast av maskinen och dra ur stickkontakten
- Om fräsen blockeras så att maskinen utsätts för ryckande krafter, måste maskinen genast stängas av
- Om det blir strömavbrott eller kontakten dras ut av misstag stäng genast av maskinen för att förhindra att det startar igen oavsiktligt
- Utöva inte så mycket tryck på maskinen att den stannar

#### EFTER ANVÄNDNINGEN

- Lossa spaken H ② efter avslutat arbete och återför maskinen till övre utgångsläget för att sedan fränkoppla den

## ANVÄNDNING

- Montering/borttagning av fräs ④
  - ! **stäng av maskinen och dra ut sladden**
  - ! **se till att fräsens axel är ordentligt ren**
  - ! **kontrollera att spänntångens storlek (6 mm, 8 mm) motsvarar storleken på fräsens skaft**
    - vänd maskinen upp och ned
    - lås axeln genom att trycka på axellåset A (vrid på spännmuttern B, om nödvändigt) och håll kvar medan Du
- FÖR MONTERING:
  - lossa spännmuttern B med nyckeln C
  - sätt in fräsen till 3/4 i spänntången
  - dra åt spännmuttern ordentligt med nyckeln C
- FÖR BORTTAGNING:
  - lossa spännmuttern B med nyckeln C
  - ta ut fräsen
  - frigör axellåset A
- ! **för att frigöra fräsen kan det vara nödvändigt med ett slag på spännmuttern med nyckeln ⑤**
- ! **dra aldrig åt spännmuttern när det inte sitter fräs i spänntången; spänntången kan skadas**
- Byte av spänntång
  - ! **stäng av maskinen och dra ut sladden**
  - ! **se till att spänntångens axeln är ordentligt ren**
  - lossa spännmuttern B med ett par varv
  - knacka på spännmuttern B med nyckeln C
  - ta ut spännmuttern B och spänntången (lås axeln)
  - vänd maskinen upp och ned
  - sätt in en ny spänntång i spänntångens axeln
  - montera spännmuttern B (lås axeln)
- ! **dra aldrig åt spännmuttern när det inte sitter fräs i spänntången; spänntången kan skadas**
- Justering av fräsdjup ⑥
  - ! **stäng av maskinen och dra ut sladden**
  - se till att den lilla stången i djupmättet D sticker ut cirka 3 mm (använd finjusteringsknappen E) ⑥a
  - rotera revolversockeln F så att dess högsta position klickar på plats alldeles under djupmättet D (för nollställning) ⑥b
  - lossa knappen G så att djupmättet D faller på djupstoppet-revolversockeln F ⑥b
  - lägg upp maskinen på arbetsstycket
  - lossa låsspaken H ⑥c
  - tryck ner maskinen tills fräsen kommer i kontakt med arbetsmaterialet ⑥d
  - dra åt låsspaken H ⑥e
  - fräsdjupet ställs nu in på 0 mm (anteckna värdet som visas på djupskalan)
  - höj djupmättet D lika många mm som önskat fräsdjup och dra åt knappen G ⑥f
  - lossa låsspaken H och styr maskinen uppåt igen
  - använd finjusteringsknappen E för att ställa in fräsdjupet mer exakt (0-10 mm)
  - med djupstoppet-revolversockeln F kan fräsdjupet ökas med 5 respektive 10 mm
- ! **justera om fräsdjupet efter byte av fräsborr**

- Hastighetskontroll ⑦  
För optimala fräsresultat på olika material
  - välj varvtal för fräsningen med ratten J (även medan maskinen går)
  - använd tabell ⑧ som referens för att avgöra rätt varvtal
  - pröva dig fram på en överbliven bit material innan du påbörjar ett arbete för att komma fram till bäst varvtal
- ! **om du har arbetat vid lågt varvtal under längre perioder ska du få verktyget att svalna genom att köra det på hög temperatur i ca 3 minuter utan belastning**
- Dammuppsugning ⑨
  - anslut dammsugare till anslutning K
- ! **låt aldrig dammsugarlangan störa fräsarbetet**
- Användning av maskinen ⑩
  - ställ in fräsdjupet
  - ! **håll alltid maskinen stadigt med båda händerna**
  - ! **under arbetet, håll alltid verktyget i det grå greppet**
  - lägg upp maskinen på arbetsstycket
  - starta maskinen genom att trycka in avtryckaren L
  - lås strömbrytaren för kontinuerlig användning genom att trycka på knappen M
  - ! **innan fräsen sätts till arbetsstycket skall maskinen ha uppnått full hastighet**
  - lossa låsspaken H och tryck långsamt ned maskinen tills djupmättet D når djupstoppet-revolversockeln F
  - dra åt låsspaken H
  - fräs med jämn matningshastighet
  - håll maskinen med bottenplattan plant utmed arbetsstycket
  - som en generell regel skall man dra åt handöverfräsen, ej skjuta ifrån den
  - koppla ur låsningen genom att trycka in avtryckaren L en gång till och sedan släppa den igen
  - lossa spaken H efter avslutat arbete och återför maskinen till övre utgångsläget
- Justering av handtagsläge ⑪
  - frigör båda handtagen med glidknapparna N till det yttre läget och håll dem medan handtagen vrids till önskat läge
  - släpp båda knapparna N tills de knäpps på plats (4 möjliga lägen)
- Lämplig styrning
  - tänk på att fräsen roterar medurs
  - för maskinen så att fräsen roterar in mot arbetsstycket inte ifrån det
- Montering av adapterplattan P (för kopiering med en styrhylsa) ⑬
- Montering av parallellanslag Q ⑭
  - för in parallellanslag båda stag V genom hålen på bottenplattan R
  - skjut parallellanslaget till önskad bredd och fäst det med de 2 rattarna W
- Använda parallellanslaget som cirkelgejd ⑮
  - ! **backa parallellanslaget först**
  - fäst stiftet X med vingmuttern Y enligt bilden
  - för in styrtapparna V i bottenplattan R
  - sätt in stiftet X i centrummärket i cirkelbågen
  - fäst parallellanslaget med de 2 rattarna W
  - mata maskinen med jämn hastighet över arbetsstycket

- Använda parallellanslaget med kurvbufferten Z ⑯
  - montera kurvbufferten Z (med monterad rulle) enligt bilden
  - för maskinen längs arbetsstyckets kant med lätt sidledes tryck

## ANVÄNDNINGSTIPS

- Vid fräsning parallellt med kanten på ditt arbetsmaterial använd sidoanslag
- Vid fräsning parallellt långt ifrån kanten på ditt arbetsmaterial ⑩
  - sätt fast en rak träbit på arbetsmaterialet med 2 tvingar
  - sätt maskinen med bottenplattan längs kanten på träbiten, vilken nu fungerar som ett sidoanslag
- Vid användning av fräs med styrtapp eller kullager skall styrtappen eller kullager föras utmed kanten på arbetsstycket vilket skall vara aldeles slätt ⑰
- För större fräsdjup rekommenderas flera fräsningar i följd med mindre spånavverkning var

## UNDERHÅLL / SERVICE

- Det här verktyget är inte avsedd för yrkesmässig användning
- Håll alltid din maskin och sladden ren (speciellt ventilationsöppningarna S ②)
- Smörj glidskenan T ② regelbundet
- Om i elverktyget trots exakt tillverkning och sträng kontroll störning skulle uppstå, bör reparation utföras av auktoriserad serviceverkstad för SKIL elverktyg
  - sänd in verktyget i **odemonterat skick** tillsammans med inköpsbevis till försäljaren eller till närmaste SKIL serviceverkstad (adresser till servicestationer och sprängskisser av maskiner finns på [www.skil.com](http://www.skil.com))

## MILJÖ

- **Elektriska verktyg, tillbehör och förpackning får inte kastas i hushållsoporna** (gäller endast EU-länder)
  - enligt direktivet 2012/19/EG som avser äldre elektrisk och elektronisk utrustning och dess tillämpning enligt nationell lagstiftning ska uttjänta elektriska verktyg sorteras separat och lämnas till miljövänlig återvinning
  - symbolen ⑱ kommer att påminna om detta när det är tid att kassera

## FÖRSÄKRAN OM ÖVERENSSTÄMMELSE CE

- Vi försäkrar härmed under exklusivt ansvar att denna produkt som beskrivs i "Tekniska data" överensstämmer med följande normer eller normativa dokument: EN 60745, EN 61000, EN 55014, enligt bestämmelserna i direktiven 2004/108/EG, 2006/42/EG, 2011/65/EU, 2009/125/EG (EU föreskrift 1194/2012)

- **Teknisk tillverkningsdokumentation finns hos:** SKIL Europe BV (PT-SEU/ENG1), 4825 BD Breda, NL

Marijn van der Hoofden      Olaf Dijkgraaf  
Operations & Engineering      Approval Manager




SKIL Europe BV, 4825 BD Breda, NL

05.09.2014

## LJUD/VIBRATION

- Ljudtrycksnivån som uppmätts enligt EN 60745 är på denna maskin 84 dB(A) och ljudeffektnivån 95 dB(A) (standard deviation: 3 dB), och vibration 4,4 m/s<sup>2</sup> (hand-arm metod; onoggrannhet K = 1,5 m/s<sup>2</sup>)
- Vibrationsemissionsvärdet har uppmätts enligt ett standardiserat test i enlighet med EN 60745; detta värde kan användas för att jämföra vibrationen hos olika verktyg och som en ungefärlig uppskattning av hur stor vibration användaren utsätts för när verktyget används enligt det avsedda syftet
  - om verktyget används på ett annat än det avsedda syftet eller med fel eller dåligt underhållna tillhör kan detta drastiskt **öka** vibrationsnivån
  - när verktyget stängs av eller är på men inte används, kan detta avsevärt **minska** vibrationsnivån
- ! **skicka dig mot vibration genom att underhålla verktyget och dess tillbehör, hålla händerna varma och styra upp ditt arbetssätt**

DK

## Overfræser

1840

## INLEDNING

- Værktøjet er beregnet til fræsning af noter, kanter, profiler og lange huller i træ, kunststof og lette byggematerialer og til kopifræsning
- Dette værktøj er ikke beregnet til professionelt brug
- Lyset på el-værktøjet er beregnet til at oplyse el-værktøjets umiddelbare arbejdsområde og er ikke beregnet som rumbelysning i private hjem
- Læs og gem denne betjeningsvejledning ③

## TEKNISKE DATA ①

## VÆRKTØJETS DELE ②

- A Aksellåse
- B Spændetangens møtrik
- C Nøgle
- D Dybdestop
- E Finjusteringsknap
- F Dybdestop-revolversøkle
- G Justeringsknap (dybdestop)
- H Låsearm
- J Hjul til hastighedsvalg
- K Forlænger til støvsuger
- L Tænd/sluk afbryder

- M Knap til fastlåsning af afbryderen
- N Justeringsknap (håndtag)
- O LED-lys
- P Adapterplade
- Q Sidestyr
- R Bundplade
- S Ventilationshuller
- T Glideskinne
- V Sidestyrets flanger
- W Knap til justering af save-gærde
- X Sidestyrets stift
- Y Sidestyrets vingemøtrik
- Z Kurvebuffer

## SIKKERHED

### GENERALE SIKKERHEDSINSTRUKSER

**⚠ VIGTIGT! Læs alle advarselshenvisninger og instrukser.** I tilfælde af manglende overholdelse af advarselshenvisningerne og instrukserne er der risiko for elektrisk stød, brand og/eller alvorlige kvæstelser. **Opbevar alle advarselshenvisninger og instrukser til senere brug.** Det i advarselshenvisningerne benyttede begreb "el værktøj" refererer til netdrevet el værktøj (med netkabel) og akkudrevet el værktøj (uden netkabel).

### 1) SIKKERHED PÅ ARBEJDSPLADSEN

- a) **Sørg for, at arbejdsområdet er rent og ryddeligt.**  
Uorden eller uoplyste arbejdsområder øger faren for uheld.
- b) **Brug ikke maskinen i eksplosionsfarlige omgivelser, hvor der er brændbare væsker, gasser eller støv.**  
El-værktøj kan slå gnister, der kan antænde støv eller dampe.
- c) **Sørg for, at andre personer og ikke mindst børn holdes væk fra arbejdsområdet, når maskinen er i brug.** Hvis man distraheres, kan man miste kontrollen over maskinen.

### 2) ELEKTRISK SIKKERHED

- a) **Maskinens stik skal passe til kontakten. Stikket må under ingen omstændigheder ændres. Brug ikke adapterstik sammen med jordforbundne maskiner.**  
Uændrede stik, der passer til kontakterne, nedsætter risikoen for elektrisk stød.
- b) **Undgå kropskontakt med jordforbundne overflader som f.eks. rør, radiatorer, komfurer og køleskabe.**  
Hvis din krop er jordforbundet, øges risikoen for elektrisk stød.
- c) **Maskinen må ikke udsættes for regn eller fugt.**  
Indtrængning af vand i maskinen øger risikoen for elektrisk stød.
- d) **Brug ikke ledningen til formål, den ikke er beregnet til (f.eks. må man aldrig bære maskinen i ledningen, hænge maskinen op i ledningen eller rykke i ledningen for at trække stikket ud af kontakten).**  
**Beskyt ledningen mod varme, olie, skarpe kanter eller maskindele, der er i bevægelse.** Beskadigede eller udviklede ledninger øger risikoen for elektrisk stød.
- e) **Hvis maskinen benyttes i det fri, må der kun benyttes en forlængerledning, der er godkendt til udendørs brug.** Brug af forlængerledning til udendørs brug nedsætter risikoen for elektrisk stød.

- f) Hvis det ikke kan undgås at bruge maskinen i fugtige omgivelser, skal der bruges et HFI-relæ. Brug af et HFI-relæ reducerer risikoen for at få elektrisk stød.

### 3) PERSONLIG SIKKERHED

- a) Det er vigtigt at være opmærksom, se, hvad man laver, og bruge maskinen fornuftigt. Man bør ikke bruge maskinen, hvis man er træt, har nydt alkohol eller er påvirket af medicin eller euforiserende stoffer. Få sekunders uopmærksomhed ved brug af maskinen kan føre til alvorlige personskader.
- b) **Brug beskyttelsesudstyr og hav altid beskyttelsesbriller på.** Brug af sikkerhedsudstyr som f. eks. støvmaske, skridsikket fodtøj, beskyttelseshjelm eller hørevern afhængig af maskintype og anvendelse nedsætter risikoen for personskader.
- c) **Undgå utilsigtet igangsætning. Kontrollér, at el værktøjet er slukket, før du tilslutter det til strømforsyningen og/eller akkuen, løfter eller bærer det.** Undgå at bære el værktøjet med fingeren på afbryderen og sørg for, at el værktøjet ikke er tændt, når det slutes til nettet, da dette øger risikoen for personskader.
- d) **Fjern indstillingsværktøj eller skruenøgle, inden maskinen tændes.** Hvis et stykke værktøj eller en nøgle sidder i en roterende maskindel, er der risiko for personskader.
- e) **Overvurder ikke dig selv. Sørg for at stå sikkert, mens der arbejdes, og kom ikke ud af balance.** Det er derved nemmere at kontrollere maskinen, hvis der skulle opstå uventede situationer.
- f) **Brug egnet arbejdstøj. Undgå løse beklædningsgenstande eller smykker. Hold hår, tøj og handsker væk fra dele, der bevæger sig.** Dele, der er i bevægelse, kan gribe fat i løstsiddende tøj, smykker eller langt hår.
- g) **Hvis støvudsugnings- og opsamlingsudstyr kan monteres, er det vigtigt, at dette tilsluttes og benyttes korrekt.** Brug af en støvsugning nedsætter risikoen for personskader som følge af støv.
- 4) **OMHYGGE LIG OMGANG MED OG BRUG AF EL-VÆRKTØJ**
- a) **Undgå overbelastning af maskinen. Brug altid en maskine, der er beregnet til det stykke arbejde, der skal udføres.** Med den rigtige maskine arbejder man bedst og mest sikkert inden for det angivne effektområde.
- b) **Brug ikke en maskine, hvis afbryder er defekt.** En maskine, der ikke kan startes og stoppes, er farlig og skal repareres.
- c) **Træk stikket ud af stikkontakten og/eller fjern akkuen, inden maskinen indstilles, der skiftes tilbehørsdele, eller maskinen lægges fra.** Disse sikkerhedsforanstaltninger forhindrer utilsigtet start af maskinen.
- d) **Opbevar ubenyttet el-værktøj uden for børns rækkevidde. Lad aldrig personer, der ikke er fortrolige med maskinen eller ikke har gennemlæst disse instrukser, benytte maskinen.** El-værktøj er farligt, hvis det benyttes af ukundige personer.
- e) **Maskinen bør vedligeholdes omhyggeligt. Kontrollér, om bevægelige dele fungerer korrekt og ikke sidder fast, og om delene er brækket eller beskadiget,**

således at maskinens funktion påvirkes. Få beskadigede dele repareret, inden maskinen tages i brug. Mange uheld skyldes dårligt vedligeholdte maskiner.

- f) **Sørg for, at skæreværktøjer er skarpe og rene.** Omhyggeligt vedligeholdte skæreværktøjer med skarpe skærekanter sætter sig ikke så hurtigt fast og er nemmere at føre.
- g) **Brug el-værktøj, tilbehør, indsatsværktøj osv. iht. disse instrukser. Tag hensyn til arbejdsforholdene og det arbejde, der skal udføres.** I tilfælde af anvendelse af værktøjet til formål, som ligger uden for det fastsatte anvendelsesområde, kan der opstå farlige situationer.

### 5) SERVICE

- a) **Sørg for, at maskinen kun repareres af kvalificerede fagfolk, og at der kun benyttes originale reservedele.** Dermed sikres størst mulig maskinsikkerhed.

## SIKKERHEDSINSTRUKSER FOR OVERFRÆSER

### GENERELT

- Dette værktøj må ikke bruges af personer under 16 år
- **Fjern altid først stikket fra kontakten, førend De foretager nogle ændringer eller skifter tilbehør**

### TILBEHØR

- SKIL kan kun sikre en korrekt funktion af værktøjet, hvis der benyttes originalt tilbehør
- Der må kun benyttes tilbehør, hvis godkendte omdrejningstal er mindst så højt som værktøjets max. omdrejningstal i ubelastet tilstand
- Anvend aldrig beskadigede eller deformerede fræsejern
- Anvend kun skarpe fræsejern
- Beskyt tilbehør mod slag, stød og fedt
- Brug altid hårdmetal fræsejern eller fræsejern der er lavet af HSS stål til denne værktøj

### INDEN BRUG

- Undgå skader forårsaget af skruer, søm eller andre materialer i arbejdsstykket; fjern disse før De begynder at arbejde
- Kontrollér altid at forsyningsspændingen er den samme som den spænding, der er anført på værktøjets navneskilt (værktøj med betegnelsen 230V eller 240V kan også tilsluttes til 220V)
- **Bearbejd ikke asbestholdigt materiale** (asbest er kræftfremkaldende)
- **Brug klemmer eller en anden praktisk måde til at sikre og støtte arbejdsemnet til en stabil platform** (hvis du holder arbejdsemnet i hånden eller mod kroppen, kan du miste kontrol over værktøjet)
- Spænd ikke værktøjet fast i en skruestik
- Anvend helt udrullede og sikre forlængerledninger med en kapacitet på 16 A
- Under arbejde med værktøjet kan lydniveauet overstige 85 dB(A); brug hørevern
- Støv fra materiale som f.eks. maling, der indeholder bly, nogle træsorter, mineraler og metal kan være skadeligt (kontakt med eller indånding af støvet kan forårsage allergiske reaktioner og/eller sygdomme i luftvejene hos den, der anvender værktøjet, eller hos omkringstående); **bær en støvmaske og arbejd med en støvudsugningsanordning, hvor en sådan kan sluttes til**

- Visse slags støv er klassificeret som kræftfremkaldende (som f.eks. støv fra eg og bøg) især i forbindelse med tilsætningsstoffer til træbehandling; **bær en støvmaske og arbejd med en støvudsugningsanordning, hvor en sådan kan slutes til**
- Følg de nationale krav, hvad angår støv, for de materialer, du ønsker at arbejde med
- Sørg for at der er slukket for værktøjet, når stikket sættes i stikkontakten

#### UNDER BRUG

- **Hold elværktøjet i de isolerede greb, fordi skæreren kan berøre sin egen ledning** (hvis der slibes i et "levende" kabel, kan det gøre udsatte metaldele på elværktøjet "levende" og kan give operatøren elektrisk stød)
- Hold altid ledningen væk fra værktøjets bevægelige dele; før altid ledningen bagud, væk fra værktøjet
- Brug ikke værktøjet, hvis kablet eller sålen R ② (= beskyttelsesskærmen) er beskadiget; få det skiftet ud af en anerkendt fagmand
- Hold hænder og fingre væk fra fræsejernet, mens fræseren er tilsluttet stikkontakten
- Overskrid aldrig maximumfræsedybden af fræsejernet ved fræsning
- I tilfælde af elektrisk eller mekanisk fejlfunktion skal afbryderen straks afbrydes og stikket tages ud af kontakten
- Hvis fræsejernet bliver blokeret, hvilket medfører rykkende kræfter på værktøjet, skal man omgående slukke for værktøjet
- I tilfælde af strømafbrydelse eller når stikket ved et uheld trækkes ud af stikkontakten, skal man omgående slukke for værktøjet for at forhindre utilsigtede start
- Påfør ikke så meget tryk på værktøjet, at det standser

#### EFTER BRUG

- Når arbejdet er færdigt, løsn armen H ②, og før værktøjet tilbage til den øverste udgangsposition, før det slukkes

## BETJENING

- Montering/aftagning af fræsejern ④
  - ! **sluk værktøjet og træk stikket ud af stikkontakten**
  - ! **vær sikker på, at fræsejernets aksel er renset for alle urenheder**
  - ! **vær sikker på, at spændetang (6 mm, 8 mm) størrelse passer med fræsejernets akselmål**
  - vend værktøjet på hovedet
  - bloker akslen ved at trykke på låsen A (drej spændetang møtrikken B, om nødvendigt) og hold den medens De

#### VED MONTERING:

- løsner spændetang møtrik B med nøglen C
- isætter fræsejernet 3/4 ned i spændetangen
- fastgør spændetang møtrikken med nøglen C

#### VED AFTAGNING:

- løsner spændetang møtrik B med nøglen C
- aftager fræsejernet
- slip låsen A

- ! **det kan være nødvendigt at banke let på spændetang møtrikken indtil fræsejernet går løs**

⑤

- ! **spænd aldrig spændetang møtrikken, hvis der ikke er noget fræsejern i spændetangen; spændetangen vil blive ødelagt**

- Udskiftning af spændetang
  - ! **sluk værktøjet og træk stikket ud af stikkontakten**
  - ! **vær sikker på, at spændetangs aksel er renset for alle urenheder**
  - løsn spændetang møtrikken B 2 eller 3 omgange
  - bank let på spændetang møtrikken B med nøglen C
  - aftag spændetang møtrikken B og spændetangen (bloker akslen)
  - vend værktøjet på hovedet
  - isæt den nye spændetang i spændetangsakslen
  - monter spændetang møtrik B (bloker akslen)
  - ! **spænd aldrig spændetang møtrikken, hvis der ikke er noget fræsejern i spændetangen; spændetangen vil blive ødelagt**
- Justering af fræsedybden ⑥
  - ! **sluk værktøjet og træk stikket ud af stikkontakten**
  - sørg for, at den lille stang inden for dybdestop D rækker ca. 3 mm ud (brug finjusteringsknap E) ⑥a
  - drej revolversocklen F, så dens højeste position klikker på plads lige under dybdemålet D (for nulstilling) ⑥b
  - løsn spændeskruen G, så dybdemålet D falder ned på dybdestop-revolversocklen F ⑥b
  - placér værktøjet på arbejdssemnet
  - løsn låsearm H ⑥c
  - tryk ned indtil fræsejernet er i kontakt med arbejdsstykket ⑥d
  - stram låsearm H ⑥e
  - fræsedybden er nu indstillet til 0 mm (noter målet indikeret på dybdeskalaen)
  - flyt dybdemålet D så mange millimeter som den ønskede fræsedybde, og stram knap G ⑥f
  - løsn låsearm H og før værktøjet tilbage og op igen
  - brug finjusteringsknappen E til at indstille fræsedybden mere præcist (0-10 mm)
  - med dybdestop-revolversocklen F kan fræsedybden blive forøget med respektivt 5 eller 10 mm
  - ! **indstil fræsedybden igen, når du har ændret fræsejern**
- Hastighedskontrol ⑦
  - For optimale fræsningsresultater på forskellige materialer
  - vælg fræsningshastigheden med hjulet J (også mens værktøjet kører)
  - brug tabel ⑧ som reference for at bestemme den rigtige fræsningshastighed
  - inden et arbejde på begynder, skal man finde den optimale hastighed ved at foretage en prøve på noget ekstra materiale
  - ! **efter længere perioder med arbejde på lav hastighed skal man lade værktøjet køle af ved at køre det i ca. 3 minutter på høj hastighed uden belastning**
- Støvopsugning ⑨
  - monter støvsuger til forlængerstykket K
  - ! **lad aldrig støvsugerens slange komme i nærheden af fræsearbejdet**
- Betjening af værktøjet ⑩
  - indstil fræsedybden
  - ! **hav altid et solidt greb på værktøjet med begge hænder**

**! under arbejde, hold altid om værktøjet på de grå markerede grebsområde(r)**

- placér værktøjet på arbejdsemnet
- start værktøj ved at trække aftrækker L
- lås strømbrytaren ved vedvarende brug ved at trykke på knappen M

**! lad værktøjet køre på fuld kraft før fræsejern berører arbejdsemnet**

- løsn låsearm H og tryk værktøjet langsomt nedad, til dybdemålet D berører dybdestop-revolversoklen F
- stram låsearm H
- udfør fræsearbejdet med jævn fart
- sørg for, at værktøjets sål altid er i fuld kontakt med materialet
- man bør normalt trække værktøjet imod sig og ikke skubbe den
- fastlåsningsen udløses ved at trække på aftrækker L igen og derefter slippe den
- når arbejdet er færdigt, løsn armen H og før værktøjet tilbage til den øverste udgangsposition
- Håndtag positionsjustering <sup>(11)</sup>
  - lås begge håndtag op ved at skubbe knapperne N til yderpositionen og hold dem, mens håndtagene drejes til den ønskede position
  - slip begge knapper N, indtil de snapper i låst (4 mulige positioner)
- Rigtige styring ved forskellige udræsninger
  - husk at fræsejernet drejer samme vej som uret
  - før fræseren rundt i emnet, så fræsejernet drejer sig ind i materialet og ikke ud af det
- Montering af holde plade P (ved kopiering efter en master) <sup>(13)</sup>
- Montering af sidestyr Q <sup>(14)</sup>
  - isæt sidestyrets flanger V i hullerne i sålen R
  - justér sidestyret til den ønskede indstilling og fastspænd med de 2 knapper W
- Brug af sidestyret som rundstyr <sup>(15)</sup>

**! vend først sidestyret om**

  - fastspænd stift X med vingemøtrikken Y som vist
  - sæt stængerne V ind i sålen R
  - stik stift X ind i cirkelbuens afmærkede centrum
  - fastspænd sidestyret med de 2 knapper W
  - før værktøjet konsekvent frem over arbejdsemnet
- Brug af sidestyret med kurvebufferen Z <sup>(16)</sup>
  - monter kurvebufferen Z (med styrerullen monteret) som vist
  - før værktøjet langs arbejdsemnets kant med et let sidelæns tryk

## GODE RÅD

- Til parallel fræsning ved kanten af arbejdsstykket anvendes sidestyret
- Ved parallel fræsning på arbejdsstykket med stor afstand til kanten <sup>(10)</sup>
  - fastspænd et lige stykke træ på arbejdsstykket ved hjælp af 2 tvinger
  - styr værktøjet med sålen langs kanten af træstykket der nu fungerer som sidestyr
- Når der benyttes fræsejern med en styretap eller et kugleleje, bør styretapperne eller kuglelejerne glide langs emnets kant, som bør være helt glat <sup>(17)</sup>

- Ved større fræsedybder anbefales det at udføre flere forebearbejdningsprocesser med mindre spånaftag

## VEDLIGEHODELSE/SERVICE

- Dette værktøj er ikke beregnet til professionelt brug
- Hold værktøjet og ledningen ren (især ventilationshullerne S <sup>(2)</sup>)
- Smør glideskinnen T <sup>(2)</sup> en gang imellem
- Skulle el værktøjet trods omhyggelig fabrikation og kontrol holde op med at fungere, skal reparationen udføres af et autoriseret serviceværksted for SKIL-elektroværktøj
  - send den **uskilte** værktøjet sammen med et købsbevis til forhandleren eller nærmeste SKIL serviceværksted (adresser og reservedelstegning af værktøjet findes på [www.skil.com](http://www.skil.com))

## MILJØ

- **Elværktøj, tilbehør og emballage må ikke bortskaffes som almindeligt affald** (kun for EU-lande)
  - i henhold til det europæiske direktiv 2012/19/EF om bortskaffelse af elektriske og elektroniske produkter og gældende national lovgivning, skal brugt elværktøj indsamles separat og bortskaffes på en måde, der skåner miljøet mest muligt
  - symbolet <sup>(18)</sup> erindrer dig om dette, når udskiftning er nødvendig

## OVERENSSTEMMELSESERKLÆRING CE

- Vi erklærer under almindeligt ansvar, at det produkt, der er beskrevet under "Tekniske data", er i overensstemmelse med følgende standarder eller normative dokumenter: EN 60745, EN 61000, EN 55014, i henhold til bestemmelserne i direktiverne 2004/108/EF, 2006/42/EF, 2011/65/EU, 2009/125/EF (EU regulering 1194/2012)
- **Teknisk dossier hos:** SKIL Europe BV (PT-SEU/ENG1), 4825 BD Breda, NL

Marijn van der Hoofden      Olaf Dijkgraaf  
Operations & Engineering      Approval Manager

SKIL Europe BV, 4825 BD Breda, NL

05.09.2014

## STØJ/VIBRATION

- Måles efter EN 60745 er lydtrykniveau af dette værktøj 84 dB(A) og lydeffektniveau 95 dB(A) (standard deviation: 3 dB), og vibrationsniveauet 4,4 m/s<sup>2</sup> (hånd-arm metoden; usikkerhed K = 1,5 m/s<sup>2</sup>)
- Det vibrationsniveau er målt i henhold til den standardiserede test som anført i EN 60745; den kan benyttes til at sammenligne to stykker værktøj og som en foreløbig bedømmelse af udsættelsen for vibrationer, når værktøjet anvendes til de nævnte formål

- anvendes værktøjet til andre formål eller med andet eller dårligt vedligeholdt tilbehør, kan dette **øge** udsættelsesniveauet betydeligt
  - de tidsrum, hvor værktøjet er slukket, eller hvor det kører uden reelt at udføre noget arbejde, kan **reducere** udsættelsesniveauet betydeligt
- ! beskyt dig selv imod virkningerne af vibrationer ved at vedligeholde værktøjet og dets tilbehør, ved at holde dine hænder varme og ved at organisere dine arbejdsmonstre**

N

Fres

1840

## INTRODUKSJON

- Dette verktøyet er bestemt for fresing av noter, kanter, profiler og langhull i tre, kunststoff og lette bygningsmaterialer samt for kopieringsfresing
- Dette verktøyet er ikke beregnet på profesjonell bruk
- Lyset til dette elektroverktøyet brukes til å belyse selve arbeidsområdet, og er ikke egnet som rombelysning i boliger
- Les og ta vare på denne brukerveiledningen ③

## TEKNISKE DATA ①

## VERKTØYELEMENTER ②

- A Spindellås
- B Chuck-mutter
- C Nøkkel
- D Dybdemåler
- E Finjusteringsknapp
- F Dybdestopp-revolversokle
- G Justeringsknott (dybdemåler)
- H Låsehendel
- J Hjul til hastighetsvalg
- K Adapter for støvsuger
- L Av/på bryter
- M Knapp til låsing av bryteren
- N Justeringsknott (håndtak)
- O LED-Lamper
- P Adapterplate
- Q Sidestiller
- R Bunnplate
- S Ventilasjonsåpninger
- T Glideskinner
- V Parallellanleggstag
- W Knott for justering av sidestiller
- X Pinne parallellanlegg
- Y Vingmutter parallellanlegg
- Z Kurvebuffer

## SIKKERHET

### GENERELLE SIKKERHETSANVISNINGER

**⚠ OBS! Les gjennom alle advarslene og anvisningene.** Feil ved overholdelsen av advarslene og nedenstående anvisninger kan medføre elektriske støt, brann og/eller

alvorlige skader. **Ta godt vare på alle advarslene og informasjonene.** Det nedenstående anvendte uttrykket "elektroverktøy" gjelder for strøm-drevne elektroverktøy (med ledning) og batteridrevne elektroverktøy (uten ledning).

### 1) SIKKERHET PÅ ARBEIDSPLASSEN

- Hold arbeidsområdet rent og ryddig.** Rotete arbeidsområder eller arbeidsområder uten lys kan føre til ulykker.
- Ikke arbeid med maskinen i eksplosjonsutsatte omgivelser – der det befinner seg brennbare væsker, gass eller støv.** Elektroverktøy lager gnister som kan antenne støv eller damper.
- Hold barn og andre personer unna når elektroverktøyet brukes.** Hvis du blir forstyrret under arbeidet, kan du miste kontrollen over maskinen.

### 2) ELEKTRISK SIKKERHET

- Støpselet til maskinen må passe inn i stikkkontakten. Støpselet må ikke forandres på noen som helst måte. Ikke bruk adapterstøpsler sammen med jordede maskiner.** Bruk av støpsler som ikke er forandret på og passende stikkontakter reduserer risikoen for elektriske støt.
- Unngå kroppskontakt med jordede overflater slik som rør, ovner, komfyrer og kjøleskap.** Det er større fare ved elektriske støt hvis kroppen din er jordet.
- Hold maskinen unna regn eller fuktighet.** Dersom det kommer vann i et elektroverktøy, øker risikoen for elektriske støt.
- Ikke bruk ledningen til andre formål, f.eks. til å bære maskinen, henge den opp eller trekke den ut av stikkkontakten. Hold ledningen unna varme, olje, skarpe kanter eller maskindeler som beveger seg.** Med skadede eller opphopede ledninger øker risikoen for elektriske støt.
- Når du arbeider utendørs med et elektroverktøy, må du kun bruke en skjøteledning som er godkjent til utendørs bruk.** Når du bruker en skjøteledning som er egnet for utendørs bruk, reduseres risikoen for elektriske støt.
- Hvis det ikke kan unngås å bruke elektroverktøyet i fuktige omgivelser, må du bruke en jordfeilbryter.** Bruk av en jordfeilbryter reduserer risikoen for elektriske støt.

### 3) PERSONSIKKERHET

- Vær oppmerksom, pass på hva du gjør, gå fornuftig frem når du arbeider med et elektroverktøy. Ikke bruk maskinen når du er trett eller er påvirket av narkotika, alkohol eller medikamenter.** Et øyeblikks uoppmerksomhet ved bruk av maskinen kan føre til alvorlige skader.
- Bruk personlig verneutstyr og husk alltid å bruke vernebriller.** Bruk av personlig sikkerhetsutstyr som støvmaske, sklifaste arbeidssko, hjelm eller hørselvern – avhengig av type og bruk av elektroverktøyet – reduserer risikoen for skader.
- Unngå å starte verktøyet ved en feiltagelse. Forviss deg om at elektroverktøyet er slått av før du kobler det til strømmen og/eller batteriet, løfter det opp eller bærer det.** Hvis du holder fingeren på bryteren når du bærer elektroverktøyet eller kobler elektroverktøyet til strømmen i innkoblet tilstand, kan dette føre til uhell.

- d) **Fjern innstillingsverktøy eller skrunøkler før du slår på elektroverktøyet.** Et verktøy eller en nøkkel som befinner seg i en roterende maskindel, kan føre til skader.
- e) **Ikke overvurder deg selv. Sørg for å stå stødig og i balanse.** Dermed kan du kontrollere maskinen bedre i uventede situasjoner.
- f) **Bruk alltid egnede klær. Ikke bruk vide klær eller smykker. Hold hår, tøy og hansker unna deler som beveger seg.** Løstsittende tøy, smykker eller langt hår kan komme inn i deler som beveger seg.
- g) **Hvis det kan monteres støvavsug- og oppsamlingsinnretninger, må du forvise deg om at disse er tilkoblet og brukes på korrekt måte.** Bruk av et støvavsug reduserer farer på grunn av støv.

#### 4) AKTOS HÅNTERING OG BRUK AV ELEKTROVERKTØY

- a) **Ikke overbelast maskinen. Bruk et elektroverktøy som er beregnet til den type arbeid du vil utføre.** Med et passende elektroverktøy arbeider du bedre og sikrere i det angitte effektområdet.
- b) **Ikke bruk elektroverktøy med defekt på-/avbryter.** Et elektroverktøy som ikke lenger kan slås av eller på, er farlig og må repareres.
- c) **Trekk støpselet ut av stikkontakten og/eller fjern batteriet før du utfører innstillinger på elektroverktøyet, skifter tilbehørsdeler eller legger maskinen bort.** Disse tiltakene forhindrer en utilsiktet startung av maskinen.
- d) **Elektroverktøy som ikke er i bruk må oppbevares utilgjengelig for barn. Ikke la maskinen brukes av personer som ikke er fortrolig med dette eller ikke har lest disse anvisningene.** Elektroverktøy er farlige når de brukes av uerfarne personer.
- e) **Vær nøye med vedlikeholdet av maskinen. Kontroller om bevegelige maskindeler fungerer feilfritt og ikke klemmes fast, og om deler er brukket eller skadet, slik at dette innvirker på maskinens funksjon. La skadede deler repareres før maskinen brukes.** Dårlig vedlikeholdte elektroverktøy er årsaken til mange uhell.
- f) **Hold skjæreverktøyene skarpe og rene.** Godt stelte skjæreverktøy med skarpe skjær setter seg ikke så ofte fast og er lettere å føre.
- g) **Bruk elektroverktøy, tilbehør, verktøy osv. i henhold til disse anvisningene. Ta hensyn til arbeidsforholdene og arbeidet som skal utføres.** Bruk av elektroverktøy til andre formål enn det som er angitt kan føre til farlige situasjoner.

#### 5) SERVICE

- a) **Maskinen din skal alltid kun repareres av kvalifisert fagpersonale og kun med originale reservedeler.** Slik opprettholdes maskinens sikkerhet.

### SIKKERHETSANVISNINGER FOR FRES

#### GENERELL

- Verktøyet må ikke brukes av personer under 16 år
- **Ta alltid ut kontakten før du forandrer innstillinger på sagen eller skifter tilbehør**

#### TILBEHØR

- SKIL kan kun garantere et feilfritt verktøy dersom original-tilbehør brukes

- Bruk kun tilbehør med et godkjent turtall som er minst like høyt som verktøyets høyeste tomgangsturtall
- Bruk aldri fresestål som er sprukket eller deformert
- Bruk kun skarpe fresestål
- Beskytt tilbehøret mot slag, støt og fett
- Bruk alltid hardmetall eller HSS fresestål til denne verktøyet

#### FØR BRUK

- Ungå skade p.g.a. skruer, spiker eller andre elementer i arbeidsstykket; fjernes før man starter jobben
- Sjekk alltid at tilført spenningen er den samme som oppgitt på verktøyets merkeplate (verktøy som er betegnet med 230V eller 240V kan også koples til et 220V strømnett)
- **Ikke bearbeid asbestholdig material** (asbest kan fremkalle kreft)
- **Bruk klemmer eller andre praktiske måter å sikre og støtte arbeidsstykket til et stødig underlag** (å holde arbeidsstykket i hånden eller mot kroppen gjør det ustødig og kan føre til tap av kontroll)
- Verktøyet må ikke spennes fast i en skrustikke
- Bruk helt utrullet og sikker skjøteledning med en kapasitet på 16 A
- Støynivået under arbeid kan overskride 85 dB(A); bruk hørselvern
- Støv fra materialer som blyholdig maling, visse tresorter, mineraler og metall kan være skadelig (kontakt med eller inhalering av støv kan gi allergiske reaksjoner og/eller sykdommer i åndedretsorganene for brukeren eller personer i nærheten); **bruk støvmaske og arbeid med støvfjerningsutstyr når det er mulig**
- Visse typer støv er klassifisert som kreftfremkallende (som f.eks. støv fra eik og bøk), spesielt sammen med tilsetningsstoffer for trebehandling; **bruk støvmaske og arbeid med støvfjerningsutstyr når det er mulig**
- Følg de nasjonale krav, når det gjelder støv for de materialer du ønsker å arbeide med
- Forsikre deg om at verktøyet er slått av når støpselet settes inn

#### UNDER BRUK

- **Ta kun tak i elektroverktøyet på de isolerte gripeflatene, fordi kutteverktøy kan komme i berøring med ledningen** (hvis en strømførende ledning kuttet, kan metalldele på elektroverktøyet bli strømførende og brukeren kan få elektrisk støt)
- Hold alltid kabelaen borte fra bevegelige deler på verktøyet; før kabelaen bakover bort fra verktøyet
- Bruk ikke verktøyet dersom kabel eller sål R ② (= vernet) er skadet; få den skiftet ud af en anerkendt fagmand
- Hold hender og fingre borte fra fresestålet når verktøyet er slått på
- Overskrid aldri maksimalfresedybden av fresestålet under freseoperasjonen
- I tilfelle en elektrisk eller mekanisk svikt, skal verktøyet med en gang slås av og støpset trekkes ut
- I tilfelle fresestålet blokkeres, som kan gjøre at verktøyet rykker, må verktøyet slås av med en gang
- I tilfelle strømbrydd, eller hvis støpselet trekkes ut tilfeldig, slå straks av verktøyet for å hindre ukontrollert gjenstart
- Sett ikke så mye press på verktøyet at det stopper rotasjonen



## ETTER BRUK

- Etter avsluttet arbeid, løsnes armen H ②, føres verktøyet tilbake til øvre utgangstilling og slås av

## BRUK

- Montering/fjerning av fresestål ④
  - ! **slå av verktøyet og trekk støpslet ut av kontakten**
  - ! **kontroller at fresestålets spindel er ren**
  - ! **kontroller at diametere på spennhylsen (6 mm, 8 mm) er i samsvar med diametere på fresestålets spindel**
  - vend verktøyet opp ned
  - lås spindelen ved å trykke spindellåsen A (skru låsemutter B, om nødvendig) og hold den mens du
- FOR MONTERING:
  - løsner låsemutteren B med nøkkelen C
  - setter fresestål 3/4 i spennhylsen
  - strammer låsemutteren med nøkkelen C
- FOR FJERNING:
  - løsner låsemutteren B med nøkkelen C
  - fjern fresestål
  - frigjør spindellåsen A
  - ! **hvis fresestålet sitter fast, kan det frigjøres med et slag av nøkkelen på låsemutteren ⑤**
  - ! **stram aldri låsemutteren uten at det er et fresestål i spennhylsen; ellers kan denne skades**
- Bytte av spennhylse
  - ! **slå av verktøyet og trekk støpslet ut av kontakten**
  - ! **kontroller at spennhylsen spindel er ren**
  - løsne låsemutteren B 2 eller 3 omdreiningar
  - bank lett på låsemutteren B med nøkkelen C
  - fjern låsemutteren B og spennhylsen (lås spindelen)
  - vend verktøyet opp ned
  - sett ny spennhylse i spennhylsen spindelen
  - monter låsemutter B (lås spindelen)
  - ! **stram aldri låsemutteren uten at det er et fresestål i spennhylsen; ellers kan denne skades**
- Justering av fresedybde ⑥
  - ! **slå av verktøyet og trekk støpslet ut av kontakten**
  - se til at det lille staget inni dybdemåleren D stikker ut cirka 3 mm (bruk finjusteringsknappen E) ⑥a
  - roter revolversokkelen F slik at den høyeste posisjon klikker på plass rett under dybdemåleren D (for nullstilling) ⑥b
  - løsne knappen G slik at dybdemåleren D faller ned i dybdestopp-revolversokkelen F ⑥b
  - sett verktøyet på arbeidsstykket
  - løsne låsespaken H ⑥c
  - før verktøyet ned til fresestålet er i kontakt med arbeidsstykket ⑥d
  - stram til låsespaken H ⑥e
  - fresedybde er nå satt til 0 mm (merk verdien som er angitt på dybdeskalaen)
  - hev dybdemåleren D med så mange mm som den ønskede fresedybden, og stram knappen til G ⑥f
  - løsne låsespaken H og før verktøyet opp igjen
  - bruk finjusteringsknappen E for å sette en mer nøyaktig fresedybde (0-10 mm)
  - med dybdestopp-revolversokkelen F kan fresedybden økes henholdsvis med 5 eller 10 mm
  - ! **re-justering av fresedybde etter å ha byttet fresebits**

- Hastighetsregulering ⑦
  - For å få best mulig resultat når fresen brukes på forskjellige materialer
  - velg en passende fresehastighet med hjulet J (kan stilles inn også mens verktøyet er i gang)
  - bruk tabell ⑧ som referanse for å bestemme riktig fresehastighet
  - før man begynner arbeidet, må man finne den optimale hastigheten ved å prøve seg fram først på et arbeidsstykke som er til overs
  - ! **når verktøyet har gått lenge ved lav hastighet, må man la det bli avkjølt ved å la det gå i ca. 3 minutter ved høy hastighet uten belastning**
- Støvoppsuging ⑨
  - tilkople støvsuger til adapter K
  - ! **aldri la støvsugerslangen forstyrre fresbetjeningen**
- Bruk av verktøyet ⑩
  - innstill fresedybden
  - ! **hold alltid verktøyet fast med begge hender**
  - ! **under arbeid, hold verktøyet alltid i grått(gråe) grepsområde(r)**
  - sett verktøyet på arbeidsstykket
  - slå på verktøyet ved å trekke inn bryter L
  - lås bryteren for kontinuerlig bruk ved å trykke på knapp M
  - ! **før fresestålet kommer i kontakt med arbeidsstykket, må verktøyet ha nådd max. hastighet**
  - løsne låsespaken H og skyv verktøyet sakte ned inntil dybdemåleren D når dybdestopp-revolversokkelen F
  - stram til låsespaken H
  - utfør fresingen med jevn fremføring
  - anvend verktøyet med fotplaten flatt på arbeidsstykket
  - som en generell regel skal man dra verktøyet, ikke skyve den
  - løsne låsen ved å trykke inn bryter L og frigjøre den
  - etter avsluttet arbeid, løsne armen H og før verktøyet tilbake til øvre utgangstilling ⑩
- Justering av håndtakstillingen ⑪
  - lås opp begge håndtak ved å skyve knappene N til ytre posisjon og hold dem mens du vrir håndtakene til den ønskede stilling
  - slipp begge knappene N til klikker på plass (4 mulige posisjoner)
- Korrekt føring
  - ha i minne at verktøyet roterer med urviserne
  - før verktøyet slik at fresestålet skjærer inn i arbeidsstykket, ikke ut fra det
- Montering av adapterplaten P (ved kopiering etter sjablong) ⑬
- Montering av sidestiller Q ⑭
  - sett i sidestillerstengene V gjennom hullene i sålen R
  - skyv sidestiller til ønsket vidde og fest med 2 knotter W
- Bruke sidestiller som sirkulær måler ⑮
  - ! **snu sidestiller først**
  - fest pinnen X med vingemutteren Y som vist
  - sett stengene V inn i sålen R
  - stikk pinnen X inn i det avmerkede sentrum på en sirkelbue
  - fest sidestilleren med 2 knotter W
  - før verktøyet jevnt over arbeidsstykket

- Bruk sidestiller med kurve kurvebuffer Z <sup>16</sup>
  - monter kurvebuffer Z (med føringsvalse montert) som vist
  - før verktøyet langs kanten av arbeidsstykket med lett trykk mot siden

## BRUKER TIPS

- For kutt parallelt med kanten av arbeidsstykket bruk sidestiller
- For kutt parallelt i arbeidsstykker langt fra kanten <sup>10</sup>
  - fest da et stykke tre ved hjelp av 2 klemmer
  - før verktøyet med sålen mot kanten av reststykket som da fungerer som sidestiller
- Ved bruk av fresestål med en styretapp eller et kulelager skal styretappene eller kulelageret gli langs kanten av arbeidsstykket som skal være fullstendig glatt <sup>17</sup>
- Ved større freseedybder anbefales det å bearbejde flaten flere ganger etter hverandre med liten sponfjerning i hver omgang

## VEDLIKEHOLD / SERVICE

- Dette verktøyet er ikke beregnet på profesjonell bruk
- Hold alltid verktøyet og kabelen ren (spesielt ventilasjonshullene S <sup>2</sup>)
- Smør glideskinnene T <sup>2</sup> av og til
- Hvis elektroverktøyet til tross for omhyggelige produksjons- og kontrollmetoder en gang skulle svikte, må reparasjonen utføres av et autorisert serviceverksted for SKIL-elektroverktøy
  - send verktøyet i **montert** tilstand sammen med kjøpebevis til forhandleren eller nærmeste SKIL servicesenter (adresser liksom service diagram av verktøyet finner du på [www.skil.com](http://www.skil.com))

## MILJØ

- **Kast aldri elektroverktøy, tilbehør og emballasje i husholdningsavfallet** (kun for EU-land)
  - i henhold til EU-direktiv 2012/19/EF om kasserte elektriske og elektroniske produkter og direktivets iverksetting i nasjonal rett, må elektroverktøy som ikke lenger skal brukes, samles separat og returneres til et miljøvennlig gjenvinningsanlegg
  - symbolet <sup>18</sup> er påtrykt som en påminnelse når utskiftning er nødvendig

## SAMSVARERKLÆRING CE

- Vi erklærer som eneansvarlig at produktet som beskrives under "Tekniske data" stemmer overens med følgende normer eller normative dokumenter: EN 60745, EN 61000, EN 55014, jf. bestemmelsene i direktivene 2004/108/EF, 2006/42/EF, 2011/65/EU, 2009/125/EF (EU forskrift 1194/2012)

- **Tekniske underlag hos:** SKIL Europe BV (PT-SEU/ENG1), 4825 BD Breda, NL

Marijn van der Hoofden  
Operations & Engineering

Olaf Dijkgraaf  
Approval Manager




SKIL Europe BV, 4825 BD Breda, NL

05.09.2014

## STØY/VIBRASJON

- Målt ifølge EN 60745 er lydtryknivået av dette verktøyet 84 dB(A) og lydstyrkenivået 95 dB(A) (standard deviasjon: 3 dB), og vibrasjonsnivået 4,4 m/s<sup>2</sup> (hånd-arm metode; usikkerhet K = 1,5 m/s<sup>2</sup>)
- Det avgitte vibrasjonsnivået er blitt målt i samsvar med en standardisert test som er angitt i EN 60745; den kan brukes til å sammenligne et verktøy med et annet, og som et foreløpig overslag over eksponering for vibrasjoner ved bruk av verktøyet til de oppgavene som er nevnt
  - bruk av verktøyet til andre oppgaver, eller med annet eller mangelfullt vedlikeholdt utstyr, kan gi en vesentlig **økning** av eksponeringsnivået
  - tidsrommene når verktøyet er avslått eller når det går men ikke arbeider, kan gi en vesentlig **reduksjon** av eksponeringsnivået
- ! **beskytt deg selv mot virkningene av vibrasjoner ved å vedlikeholde verktøyet og utstyret, holde hendene varme og organisere arbeidsmåten din**

FIN

## Yläjyrsein

1840

## ESITTELY

- Koneet on tarkoitettu urien, reunojen, profiilien ja pitkittäisreikien jyrshintään puuhun, muoviin ja kevytrakennusaineisiin tukevalla alustalla sekä kopiojyrshintään
- Tämä työkalua ei ole tarkoitettu ammattikäyttöön
- Sähkötyökalun valo on tarkoitettu sähkötyökalun työalueen suoraan valaisuun, se ei sovellu kotalouden huonevaloksi
- Lue ja säilytä tämä ohjekirja <sup>3</sup>

## TEKNISET TIEDOT <sup>1</sup>

### LAITTEEN OSAT <sup>2</sup>

- A Varren lukitus
- B Istukkamutteri
- C Avain
- D Poraussyvyyden rajoitin
- E Hienosääätönuppi
- F Syvyydenrajoittimen säätö
- G Sääätönuppi (poraussyvyyden rajoitin)
- H Lukitusvipu
- J Nopeudensäätöpyörä
- K Liitoskappale pölynimurille

- L Virtakytkin
- M Kytkimen lukituksen painike
- N Säätonuppi (kahva)
- O Ledivalot
- P Sovitinlevy
- Q Siivuohjain
- R Pohjalevy
- S Ilmanvaihto-aukot
- T Ohjainkiskot
- V Siivuohjaimen tangot
- W Siivuohjaimen säätönuppi
- X Siivuohjaimen tappi
- Y Siivuohjaimen siipimutteri
- Z Käyräpuskuri

## TURVALLISUUS

### YLEISET TURVALLISUUSOHJEET

**⚠ HUOMIO!** Lue kaikki turvallisuus- ja muut ohjeet. Turvallisuusohjeiden noudattamisen laiminlyönti saattaa johtaa sähköiskuun, tulipaloon ja/tai vakavaan loukkaantumiseen. **Säilytä kaikki turvallisuus- ja muut ohjeet tulevaisuutta varten.** Turvallisuusohjeissa käytetty käsite "sähkötyökalu" käsittää verkkokäyttöisiä sähkötyökaluja (verkkojohdolla) ja akkukäyttöisiä sähkötyökaluja (ilman verkkojohdtoa).

#### 1) TYÖPAIKAN TURVALLISUUS

- a) **Pidä työskentelyalue puhtaana ja hyvin valaistuna.** Työpaikan epäjärjestys tai valaisemattomat työalueet voivat johtaa tapaturmiin.
- b) **Älä työskentele sähkötyökalulla räjähdyksalttiissa ympäristössä, jossa on palavaa nestettä, kaasua tai pölyä.** Sähkötyökalu muodostaa kipinöitä, jotka saattavat sytyttää pölyn tai höyryt.
- c) **Pidä lapset ja sivulliset loitolla sähkötyökalua käyttäessäsi.** Voit menettää laitteesi hallinnan, huomiosi suuntautuessa muualle.

#### 2) SÄHKÖTURVALLISUUS

- a) **Sähkötyökalun pistotulpan tulee sopia pistorasiaan.** Pistotulppaa ei saa muuttaa millään tavalla. Älä käytä mitään pistorasia-adaptoreita maadoitettujen sähkötyökalujen kanssa. Alkuperäisessä kunnossa olevat pistotulpat ja sopivat pistorasiat vähentävät sähköiskun vaaraa.
- b) **Vältä koskettamasta maadoitettuja pintoja, kuten putkia, pattereita, liesiä tai jääkaappeja.** Sähköiskun vaara kasvaa, jos kehosi on maadoitettu.
- c) **Älä aseta sähkötyökalua alttiiksi sateelle tai kosteudelle.** Veden tunkeutuminen sähkötyökalun sisään kasvattaa sähköiskun riskiä.
- d) **Älä käytä verkkojohdtoa väärin. Älä käytä sitä sähkötyökalun kantamiseen, vetämiseen tai pistotulpan irrottamiseen pistorasiasta.** Pidä johto loitolla kuumuudesta, öljystä, terävistä reunoina tai liikkuvista osista. Vahingoittuneet tai sokeutuneet johdot kasvattavat sähköiskun vaaraa.
- e) **Käyttäessäsi sähkötyökalua ulkona, käytä ainoastaan ulkokäyttöön soveltuvaa jatkojohdtoa.** Ulkokäyttöön soveltuvan jatkojohdon käyttö pienentää sähköiskun vaaraa.

- f) **Jos sähkötyökalun käyttö kosteassa ympäristössä ei ole vältettävissä, tulee käyttää maavuotokatkaisijaa.** Maavuotokatkaisijan käyttö vähentää sähköiskun vaaraa.

#### 3) HENKILÖTURVALLISUUS

- a) **Ole valpas, kiinnitä huomiota työskentelyysi ja noudata tervettä järkeä sähkötyökalua käyttäessäsi. Älä käytä sähkötyökalua, jos olet väsynyt tai huumeiden, alkoholin tahi lääkkeiden vaikutuksen alaisena.** Hetken tarkkaamattomuus sähkötyökalua käytettäessä, saattaa johtaa vakavaan loukkaantumiseen.
  - b) **Käytä suojavarusteita. Käytä aina suojalaseja.** Henkilökohtaisen suojavarustuksen käyttö, kuten pölynaamarin, luistamattomien turvakengien, suojakypärän tai kuulonsuojaimien, riippuen sähkötyökalun lajista ja käytötavasta, vähentää loukkaantumisriskiä.
  - c) **Vältä tahatonta käynnistämistä. Varmista, että sähkötyökalu on poiskytketty, ennen kuin liität sen sähköverkkoon ja/tai liität akun, otat sen käteen tai kannat sitä.** Jos kannat sähkötyökalua sormi käynnistyskytkimellä tai kytket sähkötyökalun pistotulpan pistorasiaan, käynnistyskytkimen ollessa käyntiasennossa, älistät itsesi onnettomuuksille.
  - d) **Poista kaikki säätötyökalut ja ruuvitalat, ennen kuin käynnistät sähkötyökalun.** Työkalu tai avain, joka sijaitsee laitteen pyörivässä osassa, saattaa johtaa loukkaantumiseen.
  - e) **Älä yliarvioi itseäsi. Huolehdi aina tukevasta seisoma-asennosta ja tasapainosta.** Täten voit paremmin hallita sähkötyökalua odottamattomissa tilanteissa.
  - f) **Käytä tarkoitukseen soveltuvia vaatteita. Älä käytä löysiä työvaatteita tai koruja. Pidä hiukset, vaatteet ja käsineet loitolla liikkuvista osista.** Väljät vaatteet, korut ja pitkät hiukset voivat takertua liikkuviin osiin.
  - g) **Jos pölynimu- ja keräilylaitteita voidaan asentaa, tulee sinun tarkistaa, että ne on liitetty ja että ne käytetään oikealla tavalla.** Pölynimulaitteiston käyttö vähentää pölyn aiheuttamia vaaroja.
- #### 4) SÄHKÖTYÖKALUJEN KÄYTTÖ JA HOITO
- a) **Älä ylikuormita laitetta. Käytä kyseiseen työhön tarkoitettua sähkötyökalua.** Sopivaa sähkötyökalua käyttäen työskentelet paremmin ja varmemmin tehoalueella, jolle sähkötyökalu on tarkoitettu.
  - b) **Älä käytä sähkötyökalua, jota ei voida käynnistää ja pysäyttää käynnistyskytkimestä.** Sähkötyökalu, jota ei enää voida käynnistää ja pysäyttää käynnistyskytkimellä, on vaarallinen ja se täytyy korjata.
  - c) **Irrota pistotulppa pistorasiasta, ennen kuin suoritat säätöjä, vaihdat tarvikkeita tai siirrä sähkötyökalun varastoitavaksi.** Nämä turvatoimenpiteet pienentävät sähkötyökalun tahattoman käynnistysriskin.
  - d) **Säilytä sähkötyökalut poissa lasten ulottuvilta, kun niitä ei käytetä. Älä anna sellaisten henkilöiden käyttää sähkötyökalua, jotka eivät tunne sitä tai jotka eivät ole lukeneet tätä käyttöohjetta.** Sähkötyökalut ovat vaarallisia, jos niitä käyttävät kokemattomat henkilöt.
  - e) **Hoida sähkötyökalusi huolella. Tarkista, että liikkuvat osat toimivat moitteettomasti, eivätkä ole**

**puristuksessa sekä, että siinä ei ole murtuneita tai vahingoittuneita osia, jotka saattaisivat vaikuttaa haitallisesti sähkötyökalun toimintaan. Anna korjauktaa mahdolliset viat ennen käyttöönottoa.** Monen tapaturman syyt löytyvät huonosti huolletuista laitteista.

- f) **Pidä leikkausterät terävinä ja puhtaina.** Huollollisesti hoidetut leikkaustyökalut, joiden leikkausreunat ovat teräviä, eivät tartu helposti kiinni ja niitä on helpompi hallita.
- g) **Käytä sähkötyökaluja, tarvikkeita, vaihtotyökaluja jne. näiden ohjeiden mukaisesti. Ota tällöin huomioon työolosuhteet ja suoritettava toimenpide.** Sähkötyökalun käyttö muuhun kuin sille määrättyyn käyttöön, saattaa johtaa vaarallisiin tilanteisiin.

## 5) HUOLTO

- a) **Anna koulutettujen ammattihenkilöiden korjata sähkötyökalusi ja hyväksy korjauksiin vain alkuperäisiä varaosia.** Täten varmistat, että sähkötyökalu säilyy turvallisena.

## YLÄJYRSIN TURVALLISUUSOHJEET

### YLEISTÄ

- Tätä työkalua saavat käyttää vain 16 vuotta täyttäneet henkilöt
- **Irrota aina pistotulppa pistorasiasta, ennen kuin suoritat laitteelle mitään säätöjä tai vaihdat tarviketta**

### VARUSTEET

- SKIL pystyy takaamaan työkalun moitteettoman toiminnan vain, kun käytetään alkuperäisiä tarvikkeita
- Käytä vain tarvikkeita, joiden sallittu kierroslukku on vähintään yhtä suuri kuin laitteen suurin tyhjäkäyntikierroslukku
- Älä käytä vaurioituneita tai taittuneita jyrssinteriä
- Käytä ainoastaan teräviä jyrssinteriä
- Suojele varusteita iskuja, törmäyksiä ja rasvaantumista vastaan

- Käytä aina pikäteräs (HSS) tai kovametallijyrssinteriä

### ENNEN KÄYTTÖÄ

- Vältä vaaralliset vahingot, jotka voivat aiheutua nauloista, ruuveista tai muista aineista työstettävässä materiaalissa; poista ne ennen työskentelyn aloittamista
- Tarkista aina, että syöttöjännite on sama kuin työkalun nimiltaan osoittama jännite (työkalut, joiden jännitetaso on 230V tai 240V, voidaan kytkeä myös 220V tason jännitteeseen)
- **Älä koskaan työstä asbestipitoista ainetta** (asbestia pidetään karsinogeenisena)
- **Tue työstettävä kappale tukevaan tasoon puristimilla tai muulla käytännöllisellä tavalla** (kappaleen pitäminen käsin tai kehoa vasten on epävakaa ja voi aiheuttaa hallinnan menetyksen)
- Älä aseta työkalua ruuvipuristimeen
- Käytä täysin rullaamattomia ja turvallisia jatkejohtoja, joiden kapasiteetti on 16 ampeeria
- Työskenneltäessä melutaso saattaa ylittää 85 dB(A); jolloin suosittelaa kuulosuojaimien käyttöä
- Materiaaleista, kuten lyijypitoinen maali, jotkut puulajit, mineraalit ja metalli, tuleva pöly voi olla vahingollista (kosketuksiin joutuminen pölyn kanssa tai sen sisään hengittäminen voi aiheuttaa käyttäjälle tai sivustakatsojille

allergiareaktioita ja/tai hengitysvaijoja); **käytä pölynaamaria ja työskentele pölynpoistolaitteen kanssa, kun sellainen on liitettävissä**

- Tietäntyyppiset pölyt on luokiteltu karsinogeenisiksi (kuten tammi- ja pyökkipöly) erityisesti puun käsittelyyn käytettävien lisäaineiden yhteydessä; **käytä pölynaamaria ja työskentele pölynpoistolaitteen kanssa, kun sellainen on liitettävissä**
- Noudata maakohtaisia pölyyn liittyviä sääntöjä
- Varmista, että työkalun toiminta on katkaistu sen kosketin liitettävässä pistorasiaan

### KÄYTÖN AIKANA

- **Pidä kiinni laitteen eristetyistä tartuntapinnoista, koska terä voi koskea laitteen johtoon** (jos jännitteinen johto vaurioituu, laitteen paljaisiin metalliosiin voi tulla jännite ja laitteen käyttäjä voi saada sähköiskun)
- Pidä johto aina poissa työkalun liikkuvien osien läheisyydestä; kohdistu johto takaosaa kohti pois työkalusta
- Älä käytä työkalua, kun johto tai pohjalevy R ② (=suojus) on vioittunut; ja toimita valtuutettuun huoltooliikkeeseen
- Pidä sormet pois jyrssinterästä käyttäessäsi konetta
- Älä koskaan ylitä työskennellessäsi jyrssinterän maksimisyvytyttä
- Jos huomaat sähköisen tai mekaanisen vian, sammuta kone heti ja irrota liitosjohto pistorasiasta
- Mikäli jyrssinteriä tukkeutuu ja saa työkalun nykimään, katkaise työkalun toiminta välittömästi
- Virtakatkon aiheutuessa tai jos kosketin vedetään vahingossa irti pistorasiasta, sammuta työkalusta välittömästi tahattoman uudelleenkäynnistymisen estämiseksi
- Älä käytä niin paljon painetta työkaluun nähden, että se pysähtyy

### KÄYTÖN JÄLKEEN

- Vie kone työn päätyttyä ylempään lähtöasentoon vapautta vipua H ② ja pysäytä kone

## KÄYTTÖ

- Jyrssinterän asennus/irroitus ④
  - ! **sammuta kone ja irrota pistoke pistorasiasta**
  - ! **varmista, että jyrssinterän varsi on puhdas**
  - ! **varmista, että istukan koko (6 mm, 8 mm) vastaa jyrssinterän kokoa**
    - käännä kone ylösalaisin
    - lukitse varsi painamalla varren lukitusta A (kierrä lukitusmutteria B, jos tarpeellista) ja pidä se alhaalla seuraavien toimenpiteiden aikana

### ASENNUS:

- irrota lukitusmutteri B kiintoavaimella C
- aseta jyrssinterä 3/4 istukkaan
- kiristä lukitusmutteri kiintoavaimella C

### IRROTUS:

- irrota lukitusmutteri B kiintoavaimella C
- poista jyrssinterä
- vapauta varren lukitus A

- ! **jos terä ei irtoa, näpytä lukitusmutteria kiintoavaimella ⑤**

- ! **älä koskaan kiristä lukitusmutteria, jos istukassa ei ole jyrssinterää; istukka saattaa vahingoittua**

- Istukan vaihto
  - ! sammuta kone ja irrota pistoke pistorasiasta**
  - ! varmista, että varren on puhdas**
  - löysennä lukitusmutteria B kahden tai kolmen kieroksen verran
  - näpättyä lukitusmutteria B kiintoavaimella C
  - poista lukitusmutteri B ja istukka (lukitse varsi)
  - käännä kone ylösalaisin
  - asenna uusi istukka istukkarvarteen
  - asenna lukitusmutteri B (lukitse varsi)
  - ! älä koskaan kiristä lukitusmutteria, jos istukassa ei ole jyrssinterää; istukka saattaa vahingoittua**
- Jyrsintäsyvyyden säätö ⑥
  - ! sammuta kone ja irrota pistoke pistorasiasta**
  - varmista, että pieni tanko syvyydensäätimen sisällä D tulee ulos noin 3 mm (käytä hienosäätönuppia E) ⑥a
  - käännä holkkia F siten, että sen korkein kohta napsauttaa paikalleen juuri syvyydensäätimen alapuolelle D (nollauستا varten) ⑥b
  - löysää nuppia G siten, että syvyydensäädin D putoaa syvyydenrajoittimen F ⑥b päälle
  - aseta kone työkappaleen päälle
  - löysää lukitusvipu H ⑥c
  - paina jyrssintä alaspäin, kunnes jyrssinterä koskettaa työkappaletta ⑥d
  - kiristä lukitusvipu H ⑥e
  - jyrssintäsyvyydeksi on nyt asetettu 0 mm (huomaa syvyydmittaan merkitty arvo)
  - nosta syvyydensäädintä D jyrssintäsyvyyttä vastaavalla mm-määrällä, ja kiristä nuppia G ⑥f
  - löysää lukitusvipu H ja ohjaa työkalu jälleen ylös
  - käytä hienosäätönuppia E jyrssintäsyvyyden tarkempaan asetukseen (0-10 mm)
  - syvyydenrajoittimella F jyrssintäsyvyyttä voi lisätä joko 5 tai 10 mm:llä
  - ! säädä jyrssintäsyvyys uudelleen vaihdettuasi jyrssinterät**
- Nopeudensäätö ⑦
  - Optimien jyrssintätulosten saamiseksi eri materiaaleilla
  - valitse jyrssintänopeus pyörällä J (myös työkalun ajaessa)
  - käytä taulukkoa ⑧ viitteenä oikean jyrssintänopeuden määrittämiseksi
  - ennen työn aloittamista hae optimi nopeus suorittamalla testi varamateriaalilla
  - ! kun työkalua on käytetty pitemmän aikaa alhaisella nopeudella, anna työkalun viilentyä ajamalla sitä noin kolme minuuttia korkealla nopeudella ilman kuormausta**
- Pölynimi ⑨
  - liitä pölynimuri liitoskappaleeseen K
  - ! älä koskaan anna pölynimurin letkun häiritä jyrssintää**
- Työkalun käyttö ⑩
  - aseta jyrssintäsyvyys
  - ! pidä käytössä laitteesta tukevasti kiinni molemmilla käsillä**
  - ! pidä työkalusta kiinni aina työskentelyn aikana harmaan värisestä kädensija(oista)**
  - aseta kone työkappaleen päälle
  - käynnistä koneesi painamalla kytkintä L

- kytkin lukitse jatkuvaan käyttöön painamalla painiketta M
- ! koneen tulee pyöriä täydellä nopeudella ennen kuin jyrssinterän koskettaa työkappaletta**
- löysää lukitusvipua H ja paina konetta hitaasti alas, kunnes syvyydensäädin D saavuttaa syvyydenrajoittimen F
- kiristä lukitusvipu H
- suorita jyrssintä tasaisella syötöllä
- käytä konetta pohjalevy kiinni työkappaleessa
- yleensä on parempi vetää kuin työntää jyrssintä
- irrota lukitus painamalla uudelleen kytkintä L ja vapauttamalla se
- vie kone työn päätyttyä ylempään lähtöasentoon vapautta vipua H
- Kädensijan asennon säätö ⑪
  - vapauta molemmat kahvat siirtämällä nupit N ulompaan asentoon ja pitämällä niitä samalla, kun käännät kahvat haluttuun asentoon
  - vapauta molemmat nupit N, kunnes ne lukittuvat napsauttaen (4 mahdollista asentoa)
- Oikea ohjaus eri jyrssinöissä
  - muista, että terä pyörii myötöpäivään
  - ohjaa koneesi niin, että terä pyörii kohti työkappaletta, ei pois päin siitä
- Kopioihylsyn P asennus (kopiointi mallineella) ⑬
- Suuntaisohjaimen asennus Q ⑭
  - työnnä ohjaimen tangot V pohjalevyn R reikiin
  - työnnä suuntaohjain halutulle leveydelle ja kiinnitä se kahdella nupilla W
- Suuntaohjaimen käyttö käyräpuhjoajaimena ⑮
  - ! käännä ensin suuntaohjain päinvastaiseksi**
  - kiinnitä tappi X siipimutterilla Y kuvauksen mukaisesti
  - asenna tangot V pohjalevyn R
  - työnnä tappi X kaarisegmentin merkittyyn keskukseen
  - kiinnitä ohjauslaite kahdella nupilla W
  - ohjaa työkalua syöttämällä tasaisesti työkappaleen poikki
- Suuntaohjaimen käyttö käyräpuskurilla Z ⑯
  - kiinnitä käyräpuskuri Z (ohjausrulla kiinnitettynä) kuvauksen mukaisesti
  - ohjaa sähkötyökalua työkappaleen reunaa pitkin painamalla kevyesti sivun puolelta

## VINKKEJÄ

- Kun haluat jyrssiä työkappaleesi reunan kanssa yhdensuuntaisesti, käytä suuntaisohjainta
- Työkappaleen reunasta kaukana olevat yhdensuuntaiset leikkaukset ⑩
  - kiinnitä työkappaleeseen tukeva, suora puukappale 2 ruuvipuristimella
  - ohjaa koneesi siten, että pohjalevy kulkee puukappaleen reunaa pitkin, joka nyt toimii sivuohjaimena
- Käyttäessäsi ohjaintapilla tai kuulalaakerilla varustettuja teriä ohjaintappi tai kuulalaakeri tulee liukua työkappaleenulkoreunaa pitkin, jonka tulee olla mahdollisimman sileä ⑦
- Suurta jyrssintäsyvyyttä tavoiteltaessa on suositeltavaa suorittaa useita työstökertoja pienellä lastunirrotuksella

## HOITO / HUOLTO

- Tätä työkalua ei ole tarkoitettu ammattikäyttöön
- Pidä työkalu ja johto puhtaina (varmistaa erityisesti ilma-aukkojen puhtaus S ②)
- Voitele ohjainkiskot tarpeen vaatiessa T ②
- Jos sähkötyökalussa, huolellisesta valmistuksesta ja koestusmenettelystä huolimatta esiintyy vikaa, tulee korjaus antaa SKIL sopimushuollon tehtäväksi
  - toimita työkalu sitä osiin **purkamatta** lähimpään SKIL-huoltoon (osoitteet ja työkalun huoltokaava ovat tarjolla web-osoitteessa [www.skil.com](http://www.skil.com)) ostotodiste mukaan liitettynä

## YMPÄRISTÖSUOJELU

- **Älä hävitä sähkötyökalua, tarvikkeita tai pakkausta tavallisen kotitalousjätteen mukana** (koskee vain EU-maita)
  - vanhoja sähkö- ja elektroniikkalaitteita koskevan EU-direktiivin 2012/19/ETY ja sen maakohtaisten sovellusten mukaisesti käytetyt sähkötyökalut on toimitettava ongelmajätteen keräyspisteeseen ja ohjattava ympäristöstävälliseen kierrätykseen
  - symboli ⑩ muistuttaa tästä, kun käytöstä poisto tulee ajankohtaiseksi

## VAATIMUSTEN- MUKAISUUSVAKUUTUS C €

- Vakuutamme yksin vastaavamme siitä, että kohdassa "Tekniset tiedot" selostettu tuote vastaa seuraavia standardeja tai standardoituja asiakirjoja: EN 60745, EN 61000, EN 55014 direktiivien 2004/108/EY, 2006/42/EY, 2011/65/EU, 2009/125/EY (EU määräys 1194/2012) määräysten mukaan
- **Tekninen tiedosto kohdasta:** SKIL Europe BV (PT-SEU/ENG1), 4825 BD Breda, NL

Marijn van der Hoofden  
Operations & Engineering

Olaf Dijkgraaf  
Approval Manager

SKIL Europe BV, 4825 BD Breda, NL

05.09.2014

## MELU/TÄRINÄ

- Mitattuna EN 60745 mukaan työkalun melutaso on 84 dB(A) ja yleensä työkalun äänen voimakkuus on 95 dB(A) (keskihajonta: 3 dB), ja tärinän voimakkuus 4,4 m/s<sup>2</sup> (käsi-käsivarsi metodi; epävarmuus K = 1,5 m/s<sup>2</sup>)
- Tärinäsaiteilytaso on mitattu standardin EN 60745 mukaisen standarditestin mukaisesti; sitä voidaan käyttää verrattaessa yhtä laitetta toiseen sekä alustavana tärinälle altistumisen arviona käytettäessä laitetta manituissa käyttötarkoituksissa
  - laitteen käyttö eri käyttötarkoituksiin tai erilaisten tai huonosti ylläpidettyjen lisälaitteiden kanssa voi **lisätä** merkittävästi altistumistasoa

- laitteen ollessa sammuksissa tai kun se on käynnissä, mutta sillä ei tehdä työtä, altistumistaso voi olla huomattavasti **pienempi**
- ! **suojaudu tärinän vaikutuksilta ylläpitämällä laite ja sen lisävarusteet, pitämällä kädet lämpiminä ja järjestämällä työmenetelmät**

E

Fresadora

1840

## INTRODUCCIÓN

- La herramienta está destinada para fresar ranuras, cantos, perfiles y agujeros rasgados en materiales de madera, sintéticos y de construcción ligeros y para fresar con copiarador
- Esta herramienta no está concebida para uso profesional
- La luz de esta herramienta eléctrica está concebida para iluminar directamente el área de alcance de la herramienta y no para iluminar las habitaciones de una casa
- Lea y conserve este manual de instrucciones ③

## DATOS TÉCNICOS ①

### ELEMENTOS DE LA HERRAMIENTA ②

- A Bloqueo del eje
- B Tuerca de la pinza de sujeción
- C Llave
- D Tope de profundidad
- E Mando de ajuste fino
- F Torrecilla revolver con topes de profundidad
- G Botón de ajuste (tope de profundidad)
- H Palanca de bloqueo
- J Rueda de selección de la velocidad
- K Extensión para el aspirador
- L Interruptor de activación/desactivación
- M Botón para bloquear el interruptor
- N Botón de ajuste (empuñadura)
- O Luz LED
- P Chapa adaptadora
- Q Guía paralela
- R Placa base
- S Ranuras de ventilación
- T Barras deslizantes
- V Varillas de guía paralela
- W Botón para ajuste de la guía paralela
- X Clavija de guía paralela
- Y Tuerca de mariposa de guía paralela
- Z Tope de curvas

## SEGURIDAD

### INSTRUCCIONES GENERALES DE SEGURIDAD

**⚠ ¡ATENCIÓN! Lea íntegramente estas advertencias de peligro e instrucciones.** En caso de no atenerse a las advertencias de peligro e instrucciones siguientes, ello puede ocasionar una descarga eléctrica, un incendio y/o lesión grave. **Guardar todas las advertencias de peligro**

**e instrucciones para futuras consultas.** El término “herramienta eléctrica” empleado en las siguientes advertencias de peligro se refiere a herramientas eléctricas de conexión a la red (con cable de red) y a herramientas eléctricas accionadas por acumulador (o sea, sin cable de red).

### 1) SEGURIDAD DEL PUESTO DE TRABAJO

- a) **Mantenga limpia y bien iluminada su área de trabajo.** El desorden o una iluminación deficiente en las áreas de trabajo pueden provocar accidentes.
- b) **No utilice la herramienta eléctrica en un entorno con peligro de explosión, en el que se encuentren combustibles líquidos, gases o material en polvo.** Las herramientas eléctricas producen chispas que pueden llegar a inflamar los materiales en polvo o vapores.
- c) **Mantenga alejados a los niños y otras personas de su área de trabajo al emplear la herramienta eléctrica.** Una distracción le puede hacer perder el control sobre la herramienta.

### 2) SEGURIDAD ELÉCTRICA

- a) **El enchufe de la herramienta debe corresponder a la toma de corriente utilizada. No es admisible modificar el enchufe en forma alguna. No emplear adaptadores en herramientas dotadas con una toma de tierra.** Los enchufes sin modificar adecuados a las respectivas tomas de corriente reducen el riesgo de una descarga eléctrica.
- b) **Evite que su cuerpo toque partes conectadas a tierra como tuberías, radiadores, cocinas y refrigeradores.** El riesgo a quedar expuesto a una descarga eléctrica es mayor si su cuerpo tiene contacto con tomas de tierra.
- c) **No exponga las herramientas eléctricas a la lluvia o a condiciones de humedad.** Existe el peligro de recibir una descarga eléctrica si penetran líquidos en la herramienta.
- d) **No utilice el cable de red para transportar o colgar la herramienta, ni tire de él para sacar el enchufe de la toma de corriente. Mantenga el cable de red alejado del calor, aceite, esquinas cortantes o piezas móviles.** Los cables de red dañados o enredados pueden provocar una descarga eléctrica.
- e) **Al trabajar con la herramienta eléctrica en la intemperie utilice solamente cables de prolongación homologados para su uso en exteriores.** La utilización de un cable de prolongación adecuado para su uso en exteriores reduce el riesgo de una descarga eléctrica.
- f) **Si el funcionamiento de una herramienta eléctrica en un lugar húmedo fuese inevitable, utilice un cortacircuito de fuga a tierra.** El uso de un cortacircuito de fuga a tierra reduce el riesgo de descarga eléctrica.

### 3) SEGURIDAD DE PERSONAS

- a) **Esté atento y emplee la herramienta con prudencia. No utilice la herramienta eléctrica si estuviese cansado, ni bajo los efectos de alcohol, drogas o medicamentos.** El no estar atento durante el uso de una herramienta eléctrica puede provocar serias lesiones.

- b) **Utilice un equipo de protección personal y en todo caso unas gafas de protección.** El riesgo a lesionarse se reduce considerablemente si, dependiendo del tipo y la aplicación de la herramienta eléctrica empleada, se utiliza un equipo de protección adecuado como una mascarilla antipolvo, zapatos de seguridad con suela antideslizante, casco, o protectores auditivos.
- c) **Evite una puesta en marcha fortuita. Asegurarse de que la herramienta eléctrica esté desconectada antes de conectarla a la toma de corriente y/o al montar el acumulador, al recogerla, y al transportarla.** Si transporta la herramienta eléctrica sujetándola por el interruptor de conexión/desconexión, o si introduce el enchufe en la toma de corriente con la herramienta eléctrica conectada, ello puede dar lugar a un accidente.
- d) **Retire las herramientas de ajuste o llaves fijas antes de conectar la herramienta eléctrica.** Una herramienta o llave colocada en una pieza rotativa puede producir lesiones graves al accionar la herramienta eléctrica.
- e) **Sea precavido. Trabaje sobre una base firme y mantenga el equilibrio en todo momento.** Ello le permitirá controlar mejor la herramienta eléctrica en caso de presentarse una situación inesperada.
- f) **Lleve puesta una vestimenta de trabajo adecuada. No utilice vestimenta amplia ni joyas. Mantenga su pelo, vestimenta y guantes alejados de las piezas móviles.** La vestimenta suelta, las joyas y el pelo largo se pueden enganchar con las piezas en movimiento.
- g) **Siempre que sea posible utilizar equipos de aspiración o captación de polvo, asegúrese que éstos estén montados y que sean utilizados correctamente.** El empleo de estos equipos reduce los riesgos derivados del polvo.

### 4) CUIDADO Y UTILIZACIÓN DE HERRAMIENTAS ELÉCTRICAS

- a) **No sobrecargue la herramienta. Use la herramienta prevista para el trabajo a realizar.** Con la herramienta adecuada podrá trabajar mejor y con mayor seguridad dentro del margen de potencia indicado.
- b) **No utilice herramientas con un interruptor defectuoso.** Las herramientas que no se puedan conectar o desconectar son peligrosas y deben repararse.
- c) **Saque el enchufe de la red y/o desmonte el acumulador antes de realizar un ajuste en la herramienta eléctrica, cambiar de accesorio o al guardar la herramienta eléctrica.** Esta medida preventiva reduce el riesgo de conectar accidentalmente la herramienta.
- d) **Guarde las herramientas fuera del alcance de los niños y de las personas que no estén familiarizadas con su uso.** Las herramientas utilizadas por personas inexpertas son peligrosas.
- e) **Cuide sus herramientas con esmero. Controle si funcionan correctamente, sin atascarse, las partes móviles de la herramienta, y si existen partes rotas o deterioradas que pudieran afectar al funcionamiento de la herramienta. Si la herramienta eléctrica estuviese defectuosa haga repararla antes de volver a utilizarla.** Muchos de los accidentes se deben a herramientas con un mantenimiento deficiente.

- f) **Mantenga los útiles limpios y afilados.** Los útiles mantenidos correctamente se dejan guiar y controlar mejor.
  - g) **Utilice herramientas eléctricas, accesorios, útiles, etc. de acuerdo con estas instrucciones, teniendo en cuenta las condiciones de trabajo y la tarea a realizar.** El uso de herramientas eléctricas para trabajos diferentes de aquellos para los que han sido concebidas puede resultar peligroso.
- 5) **SERVICIO**
- a) **Únicamente haga reparar su herramienta eléctrica por un profesional, empleando exclusivamente piezas de repuesto originales.** Solamente así se mantiene la seguridad de la herramienta eléctrica.

## INSTRUCCIONES DE SEGURIDAD PARA FRESADORAS

### GENERAL

- Esta herramienta no debe utilizarse por personas menores de 16 años
- **Desenchufar siempre la herramienta antes de realizar cualquier ajuste o cambiar algún accesorio**

### ACCESORIOS

- SKIL únicamente puede garantizar un funcionamiento correcto de la herramienta al emplear accesorios originales
- Utilice únicamente accesorios cuyo límite de revoluciones permitido sea como mínimo igual a las revoluciones en vacío máximas de la herramienta
- No utilice brocas dañadas o deformadas
- Utilice únicamente brocas afiladas
- Proteja los accesorios de golpes, choques y grasa
- Utilice siempre brocas de HSS o de widia con esta herramienta

### ANTES DEL USO

- Evite los daños que puedan causar los tornillos, clavos y otros objetos sobre la pieza de trabajo; retírelos antes de empezar a trabajar
- Compruebe siempre que la tensión de alimentación es la misma que la indicada en la placa de características de la herramienta (las herramientas de 230V o 240V pueden conectarse también a 220V)
- **No trabaje materiales que contengan amianto** (el amianto es cancerígeno)
- **Utilice abrazaderas u otro sistema práctico para asegurar y soportar la pieza de trabajo en una plataforma estable** (si la sujeta con la mano o contra el cuerpo, queda inestable y puede perder el control sobre ella)
- No sujete la herramienta a un banco
- Utilice cables de extensión seguros y completamente desenrollados con una capacidad de 16 amperios
- El nivel de ruido, con la herramienta trabajando, podrá sobrepasar 85 dB(A); usar protectores auditivos
- El polvo del material, como por ejemplo la pintura que contiene plomo, algunas especies de madera, minerales y metal podrían ser dañinos (el contacto o inhalación del polvo podría producir reacciones alérgicas y/o trastornos respiratorios al operador u otras personas cerca); **utilice una máscara contra el polvo y trabaje con un dispositivo de extracción de polvo cuando lo conecte**

- Ciertos tipos de polvo están catalogados como cancerígenos (por ejemplo el polvo de roble y de haya) especialmente junto con aditivos para el acondicionamiento de la madera; **utilice una máscara contra el polvo y trabaje con un dispositivo de extracción de polvo cuando lo conecte**
- Siga la normativa nacional en cuanto a extracción de polvo, en función de los materiales que vayan a ser utilizados
- Asegúrese de que la herramienta está apagada cuando la enchufe

### DURANTE EL USO

- **Sujete la herramienta por las superficies de agarre aisladas, ya que es posible que la cuchilla haga contacto con su propio cable de alimentación** (cortar un cable bajo tensión también puede conectar las partes metálicas expuestas de la herramienta, con el consiguiente riesgo de sacudida eléctrica al operario)
  - Mantenga siempre el cable lejos de las partes móviles de la herramienta; mantenga el cable detrás de usted, lejos de la herramienta
  - No utilice la herramienta cuando el cable o la base R ② (= guarda de protección) esté dañado; hágalo cambiar por una persona calificada
  - Aparte las manos y los dedos de la broca al conectar la herramienta
  - Nunca exceda de la profundidad máxima de corte de la broca cuando corte
  - En el caso de que se produjera un mal funcionamiento eléctrico o mecánico, apague inmediatamente la herramienta y desconecte el enchufe
  - En caso de que se bloquee la broca, obteniendo como resultado que la herramienta funcione a trompicones, apague inmediatamente la herramienta
  - En caso de producirse un corte de corriente o cuando el enchufe se desconecta accidentalmente, desactive inmediatamente la herramienta para evitar que se ponga en marcha accidentalmente
  - No aplique mucha presión sobre la herramienta para evitar que se pare
- ### DESPUÉS DEL USO
- Tras finalizar el trabajo, afloje la palanca H ②, guíe la herramienta a la posición de partida y desconectela

## USO

- Montaje/desmontaje de las brocas ④
  - ! **pare la herramienta y desenchúfela**
  - ! **compruebe que el eje de la broca está perfectamente limpio**
  - ! **compruebe que la medida de la pinza (6 mm, 8 mm) corresponda con la medida del eje de la broca**
    - vuelva la herramienta al revés
    - bloquee el eje empujando el cierre A (girar la tuerca B de la pinza, si es necesario) y manténgalo mientras tanto
- PARA MONTAR:
  - suelte la tuerca B de la pinza con la llave C
  - introduzca la broca 3/4 en la pinza
  - apriete bien la tuerca de la pinza con la llave C
- PARA DESMONTAR:
  - suelte la tuerca B de la pinza con la llave C



- retire la broca
- suelte el cierre A
- ! **quizas sea necesario golpear ligeramente la tuerca con la llave, para que la broca se suelte** ⑤
- ! **nunca aprete la tuerca de la pinza, si no hay broca en la misma; se puede dañar la pinza**
- Cambiar la pinza
  - ! **pare la herramienta y desenchúfela**
  - ! **compruebe que el eje de la pinza está perfectamente limpio**
  - afloje la tuerca de la pinza B 2 ó 3 vueltas
  - dé unos golpecitos en la tuerca de la pinza B con la llave C
  - retire la tuerca de la pinza B y la pinza (bloquee el eje)
  - volve la herramienta al revés
  - inserte una nueva pinza en el eje de la pinza
  - monte la tuerca de la pinza B (bloquee el eje)
  - ! **nunca aprete la tuerca de la pinza, si no hay broca en la misma; se puede dañar la pinza**
- Ajustar la profundidad de fresado ⑥
  - ! **pare la herramienta y desenchúfela**
  - asegúrese de que la pequeña varilla del tope de profundidad D se prolonga aproximadamente 3 mm (utilice el mando de ajuste fino E) ⑥a
  - gire la torrecilla revólver F de modo que su posición más alta encaje en su lugar justo debajo del tope de profundidad D (para ajuste a cero) ⑥b
  - afloje el mando G de modo que el tope de profundidad D caiga sobre la torrecilla revólver con topes de profundidad F ⑥b
  - coloque la herramienta sobre la pieza de trabajo
  - afloje la palanca de bloqueo H ⑥c
  - apriete la herramienta hacia abajo hasta que la broca toque la pieza de trabajo ⑥d
  - apriete la palanca de bloqueo H ⑥e
  - ahora la profundidad de fresado está ajustada a 0 mm (apunte el valor según lo indicado en la escala de profundidad)
  - eleve el tope de profundidad D los mm equivalentes a la profundidad de fresado deseada y apriete el mando G ⑥f
  - afloje la palanca de bloqueo H y guíe la herramienta de nuevo hacia arriba
  - utilice el mando de ajuste fino E para ajustar la profundidad de fresado con más precisión (0-10 mm)
  - con torrecilla revólver con topes de profundidad F, la profundidad de fresado se puede aumentar en 5 mm o 10 mm respectivamente
  - ! **reajuste la profundidad de fresado tras haber cambiado las brocas**
- Control de velocidad ⑦
  - Para obtener resultados óptimos de fresado en diferentes materiales
  - seleccione la velocidad de fresado mediante la rueda J (también puede hacerlo mientras la herramienta funciona)
  - utilice la tabla ⑧ como referencia para determinar la velocidad de fresado correcta
  - antes de empezar un trabajo, encuentre la velocidad óptima experimentando en material sobrante
  - ! **después de largos periodos de trabajo a baja velocidad, permita que la herramienta se enfríe**
- **haciéndola funcionar durante 3 minutos aproximadamente a alta velocidad y sin carga**
- Aspiración de polvo ⑨
  - monte el aspirador a la extensión K
  - ! **no permita nunca que la manga del aspirador interfiera con la operación de fresado**
- Utilización de la herramienta ⑩
  - ajuste la profundidad de fresado
  - ! **mantenga siempre firme la herramienta con ambas manos**
  - ! **durante el trabajo, sujete siempre la herramienta por la(s) zona(s) de empuñadura de color gris**
  - coloque la herramienta sobre la pieza de trabajo
  - ponga en marcha su herramienta apretando el gatillo L
  - bloquee el interruptor para un uso continuado pulsando el el botón M
  - ! **antes de trabajar sobre una pieza, la herramienta deberá alcanzar su velocidad máxima**
  - afloje la palanca de bloqueo H y lentamente empuje hacia abajo la herramienta hasta que el tope de profundidad D alcance la torrecilla revólver F
  - apriete la palanca de bloqueo H
  - frese con un avance uniforme
  - utilice vuestra herramienta con la base plano sobre la pieza de trabajo
  - como regle general se debe trabajar tirando la herramienta, no empujando
  - apaga la herramienta apretando el gatillo L una vez más y luego soltandolo
  - tras finalizar el trabajo, afloje la palanca H y guíe la herramienta a la posición de partida
- Ajuste de posición de las empuñaduras ⑪
  - desbloquee ambas empuñaduras deslizando los mandos N hacia la posición exterior y reténgalas mientras gira las empuñaduras a la posición deseada
  - suelte ambos mandos N hasta que se enganchen a presión (4 posiciones posibles)
- Guía correcta
  - tenga en cuenta que la broca gira en el sentido de las agujas de reloj
  - guíe la herramienta de forma que no se salga de la pieza al trabajar
- Montaje de la plancha de adaptación P (para hacer copias con un patrón) ⑬
- Montaje de la guía lateral Q ⑭
  - introduzca las varillas V de la guía lateral a través de los agujeros en la base R
  - deslice la guía lateral al ancho deseado y sujétela con 2 perillas W
- Uso de la guía lateral como guía circular ⑮
  - ! **en primer lugar, invierta la guía lateral**
  - sujete la espiga X con la tuerca de orejetas Y de la forma ilustrada
  - inserte las varillas V en la placa base R
  - perforo con la espiga X el centro marcado del arco circular
  - sujete la guía lateral con 2 perillas W
  - guíe la herramienta mediante una alimentación constante a través de la pieza de trabajo

- Uso de la guía lateral con el amortiguador curvo Z <sup>16</sup>
  - monte el amortiguador curvo Z (con el rodillo guía montado) de la forma ilustrada
  - guíe la herramienta a lo largo del borde de la pieza de trabajo aplicando ligera presión lateral

## CONSEJOS DE APLICACIÓN

- Para cortes paralelos en el borde de su pieza de trabajo, utilice la guía lateral
- Para cortes paralelos en una pieza de trabajo lejos del borde de la misma <sup>10</sup>
  - sujete con 2 abrazaderas una pieza recta de madera a la pieza de trabajo
  - guíe la herramienta con la base a lo largo del borde de la pieza de madera sujeta de modo que ésta sirva de guía lateral
- Cuando use brocas con un vástago guía o rodamiento de bolas, cuide que el vástago guía o rodamiento de bolas se deslice a lo largo del borde de la pieza a trabajar que debe ser perfectamente lisa <sup>17</sup>
- Para fresados profundos se recomienda trabajar en varias pasadas ajustando un espesor de viruta reducido

## MANTENIMIENTO / SERVICIO

- Esta herramienta no está concebida para uso profesional
- Mantenga limpio el cable eléctrico y la herramienta (sobre todo las ranuras de ventilación S <sup>2</sup>)
- Lubrificar ocasionalmente las barras móviles T <sup>2</sup>
- Si a pesar de los esmerados procesos de fabricación y control, la herramienta llegase a averiarse, la reparación deberá encargarse a un servicio técnico autorizado para herramientas eléctricas SKIL
  - envíe la herramienta **sin desmontar** junto con una prueba de su compra a su distribuidor o a la estación de servicio más cercana de SKIL (los nombres así como el despiece de piezas de la herramienta figuran en www.skil.com)

## AMBIENTE

- **No deseche las herramientas eléctricas, los accesorios y embalajes junto con los residuos domésticos** (sólo para países de la Unión Europea)
  - de conformidad con la Directiva Europea 2012/19/CE sobre residuos de aparatos eléctricos y electrónicos y su aplicación de acuerdo con la legislación nacional, las herramientas eléctricas cuya vida útil haya llegado a su fin se deberán recoger por separado y trasladar a una planta de reciclaje que cumpla con las exigencias ecológicas
  - símbolo <sup>18</sup> llamará su atención en caso de necesidad de tirarlas

## DECLARACIÓN DE CONFORMIDAD CE

- Declaramos bajo nuestra sola responsabilidad que el producto descrito bajo "Datos técnicos" está en conformidad con las normas o documentos normalizados siguientes: EN 60745, EN 61000, EN 55014, de acuerdo con las disposiciones en las directivas 2004/108/CE, 2006/42/CE, 2011/65/UE, 2009/125/CE (UE reglamento 1194/2012)

- **Expediente técnico en:** SKIL Europe BV (PT-SEU/ENG1), 4825 BD Breda, NL

Marijn van der Hoofden  
Operations & Engineering

Olaf Dijkgraaf  
Approval Manager




SKIL Europe BV, 4825 BD Breda, NL

05.09.2014

## RUIDOS/VIBRACIONES

- Medido según EN 60745 el nivel de la presión acústica de esta herramienta se eleva a 84 dB(A) y el nivel de la potencia acústica a 95 dB(A) (desviación estándar: 3 dB), y la vibración a 4,4 m/s<sup>2</sup> (método brazo-mano; incertidumbre K = 1,5 m/s<sup>2</sup>)
- El nivel de emisión de vibraciones ha sido medido según una prueba estándar proporcionada en EN 60745; puede utilizarse para comparar una herramienta con otra y como valoración preliminar de la exposición a las vibraciones al utilizar la herramienta con las aplicaciones mencionadas
  - al utilizarla para distintas aplicaciones o con accesorios diferentes o con un mantenimiento deficiente, podría **aumentar** de forma notable el nivel de exposición
  - en las ocasiones en que se apaga la herramienta o cuando está funcionando pero no está realizando ningún trabajo, se podría **reducir** el nivel de exposición de forma importante
- ! **protéjase contra los efectos de la vibración realizando el mantenimiento de la herramienta y sus accesorios, manteniendo sus manos calientes y organizando sus patrones de trabajo**



P

Tupia

1840

## INTRODUÇÃO

- A ferramenta é utilizada para fresar ranhuras, cantos, perfis e orifícios oblongos em madeira, plástico e materiais leves, assim como fresar cópias
- Esta ferramenta não se destina a utilização profissional
- A luz desta ferramenta eléctrica serve para iluminar a área de trabalho directa da ferramenta eléctrica e não é adequada para a iluminação ambiente no âmbito doméstico
- Leia e guarde este manual de instruções <sup>3</sup>

## DADOS TÉCNICOS <sup>1</sup>

## ELEMENTOS DA FERRAMENTA ②

- A Bloqueio do eixo
- B Porca do engate
- C Chave
- D Regulação de profundidade
- E Botão de ajuste fino
- F Torno com batentes de profundidade
- G Botão de ajuste (batente de profundidade)
- H Patilha de bloqueio
- J Roda de selecção de velocidade
- K Extensão do aspirador
- L Interruptor para ligar/desligar
- M Botão de fixação do interruptor
- N Botão de ajuste (punho)
- O Luz LED
- P Placa do adaptador
- Q Guia paralela
- R Placa base
- S Aberturas de ventilação
- T Barras de deslize
- V Guias paralelas
- W Botão de ajuste da divisória
- X Pino da guia paralela
- Y Porca de orelha da guia paralela
- Z Amortecedor da curva

## SEGURANÇA

### INSTRUÇÕES GERAIS DE SEGURANÇA

**⚠ ATENÇÃO!** Devem ser lidas todas as indicações de advertência e todas as instruções. O desrespeito das advertências e instruções apresentadas abaixo pode causar choque eléctrico, incêndio e/ou graves lesões. **Guarde bem todas as advertências e instruções para futura referência.** O termo “ferramenta eléctrica” utilizado a seguir nas indicações de advertência, refere-se a ferramentas eléctricas operadas com corrente de rede (com cabo de rede) e a ferramentas eléctricas operadas com acumulador (sem cabo de rede).

#### 1) SEGURANÇA DA ÁREA DE TRABALHO

- a) **Mantenha a sua área de trabalho limpa e arrumada.** Desordem ou áreas de trabalho com fraca iluminação podem causar acidentes.
- b) **Não trabalhar com a ferramenta eléctrica em áreas com risco de explosão, nas quais se encontrem líquidos, gases ou pós inflamáveis.** Ferramentas eléctricas produzem faíscas que podem provocar a ignição de pó e vapores.
- c) **Mantenha crianças e outras pessoas afastadas da ferramenta eléctrica durante o trabalho com a ferramenta.** Distrações podem causar a falta de controle sobre o aparelho.

#### 2) SEGURANÇA ELÉCTRICA

- a) **A ficha da ferramentas eléctricas devem caber na tomada. A ficha não deve ser modificada de modo algum. Não utilize quaisquer fichas de adaptação junto com ferramentas eléctricas ligadas à terra.** Fichas sem modificações e tomadas adequadas reduzem o risco de choques eléctricos.

- b) **Evite que o corpo entre em contacto com superfícies ligadas à terra, como por exemplo tubos, radiadores, fogões e geladeiras.** Há um risco elevado de choques eléctricos, caso o corpo for ligado à terra.
- c) **A ferramenta eléctrica não deve ser exposta à chuva nem humidade.** A penetração de água na ferramenta eléctrica aumenta o risco de choques eléctricos.
- d) **O cabo do aparelho não deve ser utilizado para o transporte, para pendurar o aparelho, nem para puxar a ficha da tomada. Mantenha o cabo afastado de calor, óleo, cantos afiados ou partes em movimento do aparelho.** Cabos danificados ou torcidos aumentam o risco de choques eléctricos.
- e) **Ao trabalhar com a ferramenta eléctrica ao ar livre, use um cabo de extensão apropriado para áreas externas.** O uso de um cabo apropriado para áreas externas reduz o risco de choques eléctricos.
- f) **Se não for possível evitar o funcionamento da ferramenta eléctrica em áreas húmidas, deverá ser utilizado uma disjuntor de corrente de avaria.** A utilização de um disjuntor de corrente de avaria reduz o risco de um choque eléctrico.

#### 3) SEGURANÇA DE PESSOAS

- a) **Esteja alerta, observe o que está a fazer, e tenha prudência ao trabalhar com a a ferramenta eléctrica. Não use a ferramenta eléctrica se estiver fatigado ou sob a influência de drogas, álcool ou medicamentos.** Um momento de falta de atenção durante a operação da ferramenta eléctrica pode causar graves lesões.
- b) **Utilizar equipamento de protecção pessoal e sempre óculos de protecção.** A utilização de equipamento de protecção pessoal, como máscara de protecção contra pó, sapatos de segurança antiderrapantes, capacete de segurança ou protecção auricular, de acordo com o tipo e aplicação da ferramenta eléctrica, reduz o risco de lesões.
- c) **Evitar uma colocação em funcionamento involuntária. Assegure se de que a ferramenta eléctrica esteja desligada, antes de conectá-la à alimentação de rede e/ou ao acumulador, antes de levantá-la ou de transportá-la.** Se tiver o dedo no interruptor ao transportar a ferramenta eléctrica ou se o aparelho for conectado à alimentação de rede enquanto estiver ligado, poderão ocorrer acidentes.
- d) **Remover chaves de ajustes ou chaves de fenda, antes de ligar a ferramenta eléctrica.** Uma chave de fenda ou chave de ajuste que se encontre numa parte móvel do aparelho, pode levar a lesões.
- e) **Não se sobrestime. Mantenha uma posição firme e mantenha sempre o equilíbrio.** Desta forma poderá ser mais fácil controlar o aparelho em situações inesperadas.
- f) **Use roupa apropriada. Não use roupa larga ou jóias. Mantenha o cabelo, roupa e luvas afastadas de partes em movimento.** Roupas largas, jóias ou cabelos longos podem ser agarradas por partes em movimento.
- g) **Se for prevista a montagem de dispositivos de aspiração de pó e de dispositivos de recolha, assegure-se de que estão conectados e que sejam utilizados de forma correcta.** A utilização de uma aspiração de pó pode reduzir o perigo devido ao pó.

#### 4) USO E TRATAMENTO DE FERRAMENTAS ELÉCTRICAS

- a) **Não sobrecarregue a ferramenta eléctrica. Use para o seu trabalho a ferramenta eléctrica correcta.** A ferramenta correcta realizará o trabalho de forma melhor e mais segura dentro da faixa de potência indicada.
- b) **Não utilize a ferramenta eléctrica se o interruptor não puder ser ligado nem desligado.** Qualquer ferramenta eléctrica que não possa ser controlada através do interruptor de ligar-desligar, é perigosa e deve ser reparada.
- c) **Puxar a ficha da tomada e/ou remover o acumulador antes de executar ajustes na ferramenta, de substituir acessórios ou de guardar a ferramenta.** Esta medida de segurança evita que a ferramenta eléctrica seja ligada acidentalmente.
- d) **Guarde ferramentas eléctricas que não estiverem sendo utilizadas, for a do alcance de crianças. Não permita que o aparelho seja utilizado por pessoas não familiarizadas com o mesmo ou que não tenham lido estas instruções.** Ferramentas eléctricas são perigosas nas mãos de pessoas sem treinamento.
- e) **Trate a sua ferramenta eléctrica com cuidado. Verifique se as partes móveis do aparelho funcionam perfeitamente e não emperram, se há peças quebradas ou danificadas, que possam influenciar o funcionamento do aparelho. Peças danificadas devem ser reparadas antes da utilização do aparelho.** Muitos acidentes tem como causa uma manutenção insuficiente das ferramentas eléctricas.
- f) **Mantenha as ferramentas de corte sempre afiadas e limpas.** Ferramentas de cortes devidamente tratadas, com cantos afiados travam com menos frequência e podem ser controladas com maior facilidade.
- g) **Use a ferramenta eléctrica, os acessórios os bits da ferramenta etc., de acordo com estas instruções. Considere também as condições de trabalho e o trabalho a ser efectuado.** A utilização da ferramenta eléctrica para outros fins que os previstos, pode resultar em situações perigosas.

#### 5) SERVIÇO

- a) **A sua ferramenta eléctrica só deve ser reparada por pessoal qualificado e só devem ser colocadas peças sobressalentes originais.** Desta forma é assegurada a segurança da ferramenta eléctrica.

#### INSTRUÇÕES DE SEGURANÇA PARA TUPIAS

##### GENERAL

- Esta ferramenta não deve ser utilizada por pessoas menores de 16 anos
- **Desligue sempre a ficha da tomada antes de proceder a qualquer ajustamento ou troca de acessório**

##### ACESSÓRIOS

- A SKIL só pode garantir um funcionamento perfeito da ferramenta, quando utilizada com os acessórios originais
- Utilize apenas acessórios com um número de rotação admissível no mínimo tão alto como o mais alto número de rotação em vazio da ferramenta
- Não utilize fresas que estejam danificadas ou deformadas

- Utilize apenas fresas afiadas
- Proteja os acessórios contra impacto, choques e gordura
- Utilize sempre fresas HSS (aço de alto rendimento) ou HM (metal duro) com esta ferramenta

##### ANTES DA UTILIZAÇÃO

- Evite danificar a ferramenta em superfícies com pregos ou parafusos; remova-os antes de começar a trabalhar
- Certifique-se sempre de que a tensão de alimentação está de acordo com a tensão indicada na placa de identificação da ferramenta (ferramentas com a indicação de 230V ou 240V também podem ser ligadas a uma fonte de 220V)
- **Não processar material que contenha asbesto** (asbesto é considerado como sendo cancerígeno)
- **Utilize os grampos ou outra forma prática para apoiar e fixar a peça de trabalho numa plataforma estável** (segurar o trabalho com a mão ou contra o corpo deixa a peça instável e pode provocar a perda de controlo)
- Não fixe a ferramenta num torno
- Utilize extensões completamente desenroladas e seguras, com uma capacidade de 16 Amp
- O nível de ruído durante o trabalho pode exceder 85 dB(A); utilize protectores auriculares
- O pó do material, como tinta com chumbo, algumas espécies de madeira, minerais e metais, pode ser prejudicial (contacto ou inalação do pó pode provocar reacções alérgicas e/ou doenças respiratórias ao operador ou às pessoas presentes); **use máscara respiratória e trabalhe com um dispositivo de extracção de pó quando ligado a**
- Determinados tipos de pó são classificados como substâncias cancerígenas (como pó de carvalho e faia), em especial, juntamente com aditivos para acondicionamento da madeira; **use máscara respiratória e trabalhe com um dispositivo de extracção de pó quando ligado a**
- Siga o regulamento nacional quanto a extracção de pó, em função dos materiais que vão ser utilizados
- Certifique-se de que a ferramenta está desligada antes de colocar a ficha na tomada

##### DURANTE A UTILIZAÇÃO

- **Segure a ferramenta eléctrica pelas superfícies de fixação, porque o cortador pode contactar com o cabo** (o corte de um fio "eléctrico" pode expor as peças metálicas da ferramenta eléctrica e pode originar um choque eléctrico no operador)
- Mantenha sempre o fio afastado das peças rotativas da ferramenta; coloque o fio para trás, fora do alcance da ferramenta
- Não utilizar a ferramenta caso o fio ou a base R ② (= protecção de segurança) estejam danificados; mandando-os substituir por pessoal qualificado
- Mantenha sempre as mãos e os dedos afastados da fresa quando a ferramenta estiver a trabalhar
- Nunca exceda a profundidade máxima de fresagem da fresa enquanto cortar
- Em caso de anomalias eléctricas ou mecânicas, desligue imediatamente a ferramenta e tire a ficha da tomada
- Caso a fresa fique bloqueada, resultando em sacões transmitidos à ferramenta, desligue imediatamente a ferramenta

- Em caso de interrupção na corrente ou se a ficha for retirada da tomada por engano, desligue imediatamente a ferramenta para impedir que volte a arrancar descontrolada
- Não aplique demasiada pressão na ferramenta que a faça parar

#### APÓS A UTILIZAÇÃO

- Após terminar o trabalho, solte a patilha H ②, recoloque a ferramenta na posição inicial superior e em seguida desligue-a

## MANUSEAMENTO

- Montagem/desmontagem das fresas ④
  - ! **desligue a ferramenta e retire a ficha da tomada**
  - ! **assegure-se que o eixo da fresa se encontra perfeitamente limpo**
  - ! **assegure-se que o tamanho do engate (6 mm, 8 mm) corresponde ao tamanho do eixo da fresa**
  - volte a ferramenta ao contrário
  - trave o eixo carregando no bloqueio do eixo A (rode a porca de engate B, se necessário) e mantenha-o nessa posição, enquanto

#### PARA MONTAR:

- desaperte a porca de engate B com a chave C
- coloque uma fresa de 3/4 no engate
- fixe a porca de engate com a chave C

#### PARA DESMONTAR:

- desaperte a porca de engate B com a chave C
- desmonte a fresa
- solte o bloqueio do eixo A

- ! **pode ser necessário bater levemente na porca de engate com a chave até que a fresa se solte ⑤**
- ! **nunca fixe a porca de engate se não houver uma fresa no engate**

- Mudança do engate
  - ! **desligue a ferramenta e retire a ficha da tomada**
  - ! **assegure-se que o eixo do engate se encontra perfeitamente limpo**
  - desaperte a porca de engate B 2 ou 3 voltas
  - bata na porca de engate B com a chave C
  - desmonte a porca de engate B e o engate (trave o eixo)
  - volte a ferramenta ao contrário
  - introduza um novo engate no eixo de engate
  - monte a porca de engate B (trave o eixo)
  - ! **nunca fixe a porca de engate se não houver uma fresa no engate**
- Regulação da profundidade de fresagem ⑥
  - ! **desligue a ferramenta e retire a ficha da tomada**
  - certifique-se de que a pequena haste existente na regulação de profundidade D se estende cerca de 3 mm (utilize o botão de ajuste fino E) ⑥a
  - rode o torno F de modo a que a posição mais elevada se fixe no local de baixo da regulação de profundidade D (para zero) ⑥b
  - desaperte o botão G de modo a que a regulação de profundidade D desça até ao torno com batente de profundidade F ⑥b
  - coloque a ferramenta na peça a trabalhar
  - desaperte a alavanca de fixação H ⑥c
  - desça a ferramenta até que a fresa toque a peça a trabalhar ⑥d

- aperte a alavanca de fixação H ⑥e
- a profundidade de fresagem está definida para 0 mm (anote o valor conforme indicado na escala de profundidade)
- eleve a regulação de profundidade D tantos mm quantos a profundidade de fresagem pretendida e aperte o botão G ⑥f
- desaperte a alavanca de fixação H e oriente a ferramenta para cima novamente
- utilize o botão de ajuste fino E para definir a profundidade de fresagem com maior precisão (0-10 mm)
- o torno com batente de profundidade F permite aumentar a profundidade de fresagem cerca de 5 ou 10 mm, respectivamente
- ! **readjuste a profundidade de fresagem depois de mudar as porcas de engate**
- Controle de velocidade ⑦
  - Para a obtenção de resultados de fresagem ótimos em materiais diferentes
  - seleccione a velocidade de fresagem com a roda J (também quando a ferramenta está a funcionar)
  - use a tabela ⑧ como referência para determinar a velocidade de fresagem correcta
  - antes de iniciar um trabalho, determine a velocidade ótima experimentando em material de sobra
  - ! **ao fim de períodos longos de trabalho a velocidade reduzida, deixe arrefecer a ferramenta fazendo-a funcionar durante aproximadamente 3 minutos a alta velocidade sem carga**
- Aspiração de pó ⑨
  - aplique o aspirador à extensão K
  - ! **nunca deixe o tubo do aspirador interferir com a operação de fresagem**
- Utilização da ferramenta ⑩
  - ajuste a profundidade de fresagem
  - ! **segure sempre a ferramenta firmemente com ambas as mãos**
  - ! **durante o trabalho, segure sempre a ferramenta na(s) área(s) de fixação cinzenta(s)**
  - coloque a ferramenta na peça a trabalhar
  - ligue a ferramenta premindo o gatilho L
  - bloqueie o interruptor para utilização contínua premindo o botão M
  - ! **a ferramenta deve trabalhar na velocidade máxima antes da fresa alcançar a peça a trabalhar**
  - desaperte a alavanca de fixação H e empurre lentamente a ferramenta para baixo até a regulação de profundidade D atingir o torno com batente de profundidade F
  - aperte a alavanca de fixação H
  - efectue o processo de fresagem com um avanço uniforme
  - use a ferramenta com a base apoiada na peça a trabalhar
  - como regra geral deve puxar a ferramenta em vez de empurrar
  - desligue o interruptor apertando de novo o gatilho L e soltando-o de seguida
  - após terminar o trabalho, solte a patilha H e recoloque a ferramenta na posição inicial superior

- Ajuste da posição do punho ⑪
  - desbloqueie ambos os punhos com os botões de deslize N para a posição exterior e segure-os enquanto roda os punhos para a posição pretendida
  - liberte ambos os botões N até fixarem (4 posições possíveis)
- Condução correcta
  - tenha presente que a fresa roda no sentido dos ponteiros do relógio
  - conduza a ferramenta de modo a que a fresa rode para dentro da peça a trabalhar e não para fora desta
- Montagem da placa adaptadora P (para copiar com um molde) ⑬
- Montagem da guia paralela Q ⑭
  - introduza as hastes V da guia nos orifícios da base R
  - regule a guia para a distância desejada e aperte-a utilizando os 2 botões W
- Usar a guia paralela como guia circular ⑮
  - ! **inverte primeiro a guia**
  - aperte o pino X com a porca de orelhas Y conforme ilustrado
  - introduza as hastes V na placa de base R
  - introduza o pino X no centro marcado do arco circular
  - aperte a guia paralela utilizando os 2 botões W
  - guie a ferramenta com uma alimentação constante através da peça de trabalho
- Usar a guia paralela com o amortecedor de curva Z ⑯
  - monte o amortecedor de curva Z (com o rolete guia montado) conforme ilustrado
  - guie a ferramenta ao longo do bordo da peça de trabalho com uma ligeira pressão lateral

## CONSELHOS DE APLICAÇÃO

- Para cortes paralelos com os lados de sua peça de trabalho utilize o guia paralela
- Para cortes paralelos na peça de trabalho longe dos bordos ⑩
  - fixe uma tira de madeira por meio de 2 grampos
  - guie a fresa com a parte da base sobre o bordo da tira de madeira, que deste modo funciona como guia paralela
- Quando utilizar fresas com guia ou com rolamento de esferas, a guia ou o rolamento de esferas deve deslizar ao longo dos bordos da peça a trabalhar que devem ser perfeitamente lisos ⑰
- Para maiores profundidades de fresagem é recomendável efectuar vários cortes sucessivos com menores taxas de remoção

## MANUTENÇÃO / SERVIÇO

- Esta ferramenta não se destina a utilização profissional
- Mantenha a ferramenta e o fio sempre limpos (especialmente as ranhuras de respiração S ②)
- Lubrifique as barras de deslize T ② ocasionalmente
- Se a ferramenta falhar apesar de cuidadosos processos de fabricação e de teste, a reparação deverá ser executada por uma oficina de serviço autorizada para ferramentas eléctricas SKIL
  - envie a ferramenta **sem desmontar**, juntamente com a prova de compra, para o seu revendedor ou para o centro de assistência SKIL mais próximo (os

endereços assim como a mapa de peças da ferramenta estão mencionados no [www.skil.com](http://www.skil.com))

## AMBIENTE

- **Não deite ferramentas eléctricas, acessórios e embalagem no lixo doméstico** (apenas para países da UE)
  - de acordo com a directiva europeia 2012/19/CE sobre ferramentas eléctricas e electrónicas usadas e a transposição para as leis nacionais, as ferramentas eléctricas usadas devem ser recolhidas em separado e encaminhadas a uma instalação de reciclagem dos materiais ecológica
  - símbolo ⑱ lhe avisará em caso de necessidade de arranja-las

## DECLARAÇÃO DE CONFORMIDADE CE

- Declaramos sob nossa exclusiva responsabilidade que o produto descrito em “Dados técnicos” cumpre as seguintes normas ou documentos normativos: EN 60745, EN 61000, EN 55014, conforme as disposições das directivas 2004/108/CE, 2006/42/CE, 2011/65/UE, 2009/125/CE (UE regulamento 1194/2012)
- **Processo técnico em:** SKIL Europe BV (PT-SEU/ENG1), 4825 BD Breda, NL

Marijn van der Hoofden  
Operations & Engineering

Olaf Dijkgraaf  
Approval Manager




SKIL Europe BV, 4825 BD Breda, NL

05.09.2014

## RÚIDO/VIBRAÇÕES

- Medido segundo EN 60745 o nível de pressão acústica desta ferramenta é 84 dB(A) e o nível de potência acústica 95 dB(A) (espaço de erro: 3 dB), e a vibração 4,4 m/s<sup>2</sup> (método braço-mão; incerteza K = 1,5 m/s<sup>2</sup>)
- O nível de emissão de vibrações foi medido de acordo com um teste normalizado fornecido na EN 60745; pode ser utilizado para comparar uma ferramenta com outra e como uma avaliação preliminar de exposição à vibração quando utilizar a ferramenta para as aplicações mencionadas
  - utilizar a ferramenta para diferentes aplicações ou com acessórios diferentes ou mantidos deficientemente, pode **umentar** significativamente o nível de exposição
  - o número de vezes que a ferramenta é desligada ou quando estiver a trabalhar sem fazer nada, pode **reduzir** significativamente o nível de exposição
- ! **proteja-se contra os efeitos da vibração, mantendo a ferramenta e os acessórios, mantendo as mãos quentes e organizando os padrões de trabalho**

## INTRODUZIONE

- L'utensile è idoneo per la fresatura di scanalature, bordi, profili e fori longitudinali nel legno, nelle materie plastiche ed in materiali leggeri da costruzione, ed anche per la copiatura
- Questo utensile non è inteso per un uso professionale
- L'illuminazione di questo elettroutensile è concepita per illuminare l'area di lavoro dell'elettroutensile stesso e non è adatta per illuminare l'ambiente domestico
- Leggete e conservate questo manuale di istruzione ③

## DATI TECNICI ①

### ELEMENTI UTENSILE ②

- A Bloccaggio dell'albero
- B Dado colletto
- C Chiave
- D Asta di profondità
- E Manopola di regolazione fine
- F Torretta con fermi di profondità
- G Manopola di regolazione (asta di profondità)
- H Leva di blocco
- J Rotella selezione velocità
- K Prolunga per aspirapolvere
- L Interruttore di acceso/spento
- M Pulsante di blocco dell'interruttore
- N Manopola di regolazione (impugnatura)
- O Spie LED
- P Piastra dell'adattatore
- Q Guida parallela
- R Piastra base
- S Feritoie di ventilazione
- T Prolunghe scorrevoli
- V Aste della guida parallela
- W Bottone per la regolazione della guida parallela
- X Perno della guida parallela
- Y Dado ad alette della guida parallela
- Z Buffer curvo

## SICUREZZA

### ISTRUZIONI GENERALI DI SICUREZZA

**⚠ ATTENZIONE! Leggere tutte le avvertenze di pericolo e le istruzioni operative.** In caso di mancato rispetto delle avvertenze di pericolo e delle istruzioni operative si potrà creare il pericolo di scosse elettriche, incendi e/o incidenti gravi. **Conservare tutte le avvertenze di pericolo e le istruzioni operative per ogni esigenza futura.** Il termine "elettroutensile" utilizzato nelle avvertenze di pericolo si riferisce ad utensili elettrici alimentati dalla rete (con linea di allacciamento) ed ad utensili elettrici alimentati a batteria (senza linea di allacciamento).

- 1) **SICUREZZA DELLA POSTAZIONE DI LAVORO**
  - a) **Mantenere pulito ed ordinato il posto di lavoro.** Il disordine o le zone di lavoro non illuminate possono essere fonte di incidenti.
  - b) **Evitare d'impiegare l'utensile in ambienti soggetti al rischio di esplosioni nei quali si trovino liquidi, gas o polveri infiammabili.** Gli utensili elettrici producono scintille che possono far infiammare la polvere o i gas.
  - c) **Mantenere lontani i bambini ed altre persone durante l'impiego dell'utensile elettrico.** Eventuali distrazioni potranno comportare la perdita del controllo sull'utensile.
- 2) **SICUREZZA ELETTRICA**
  - a) **La spina per la presa di corrente dovrà essere adatta alla presa. Evitare assolutamente di apportare modifiche alla spina. Non impiegare spine adattatrici assieme ad utensili con collegamento a terra.** Le spine non modificate e le prese adatte allo scopo riducono il rischio di scosse elettriche.
  - b) **Evitare il contatto fisico con superfici collegate a terra, come tubi, riscaldamenti, cucine elettriche e frigoriferi.** Sussiste un maggior rischio di scosse elettriche nel momento in cui il corpo è messo a massa.
  - c) **Custodire l'utensile al riparo dalla pioggia o dall'umidità.** L'eventuale infiltrazione di acqua in un utensile elettrico va ad aumentare il rischio d'insorgenza di scosse elettriche.
  - d) **Non usare il cavo per scopi diversi da quelli previsti al fine di trasportare o appendere l'utensile, oppure di togliere la spina dalla presa di corrente. Mantenere l'utensile al riparo da fonti di calore, dall'olio, dagli spigoli o da pezzi in movimento.** I cavi danneggiati o aggrovigliati aumentano il rischio d'insorgenza di scosse elettriche.
  - e) **Qualora si voglia usare l'utensile all'aperto, impiegare solo ed esclusivamente cavi di prolunga omologati per l'impiego all'esterno.** L'uso di un cavo di prolunga omologato per l'impiego all'esterno riduce il rischio d'insorgenza di scosse elettriche.
  - f) **Qualora non fosse possibile evitare di utilizzare l'utensile in ambiente umido, utilizzare un interruttore di messa a terra.** L'uso di un interruttore di messa a terra riduce il rischio di una scossa elettrica.
- 3) **SICUREZZA DELLE PERSONE**
  - a) **È importante concentrarsi su ciò che si sta facendo e a maneggiare con giudizio l'utensile durante le operazioni di lavoro. Non utilizzare l'utensile in caso di stanchezza o sotto l'effetto di droghe, bevande alcoliche e medicinali.** Un attimo di distrazione durante l'uso dell'utensile potrà causare lesioni gravi.
  - b) **Indossare sempre equipaggiamento protettivo individuale. Usare sempre protezioni per gli occhi.** Se si avrà cura d'indossare equipaggiamento protettivo individuale come la maschera antipolvere, la calzatura antidrucciolevole di sicurezza, il casco protettivo o la protezione dell'udito, a seconda dell'impiego previsto per l'utensile elettrico, si potrà ridurre il rischio di ferite.
  - c) **Evitare l'accensione involontaria dell'utensile. Prima di collegarlo alla rete di alimentazione elettrica e/o alla batteria ricaricabile, prima di prenderlo oppure prima di iniziare a trasportarlo, assicurarsi che l'utensile sia spento.** Tenendo il dito sopra l'interruttore

mentre si trasporta l'utensile oppure collegandolo all'alimentazione di corrente con l'interruttore inserito, si vengono a creare situazioni pericolose in cui possono verificarsi seri incidenti.

- d) **Togliere gli attrezzi di regolazione o la chiave inglese prima di accendere l'utensile.** Un utensile o una chiave inglese che si trovino in una parte dell'utensile in rotazione potranno causare lesioni.
  - e) **È importante non sopravvalutarsi. Avere cura di mettersi in posizione sicura e di mantenere l'equilibrio.** In tale maniera sarà possibile controllare meglio l'utensile in situazioni inaspettate.
  - f) **Indossare vestiti adeguati. Evitare di indossare vestiti lenti o gioielli. Tenere i capelli, i vestiti ed i guanti lontani da pezzi in movimento.** Vestiti lenti, gioielli o capelli lunghi potranno impigliarsi in pezzi in movimento.
  - g) **Se sussiste la possibilità di montare dispositivi di aspirazione o di captazione della polvere, assicurarsi che gli stessi siano stati installati correttamente e vengano utilizzati senza errori.** L'utilizzo di un'aspirazione polvere può ridurre lo svilupparsi di situazioni pericolose dovute alla polvere.
- #### 4) MANEGGIO ED IMPIEGO ACCURATO DI UTENSILI ELETTRICI
- a) **Non sovraccaricare l'utensile. Impiegare l'utensile elettrico adatto per sbrigare il lavoro.** Utilizzando l'utensile elettrico adatto si potrà lavorare meglio e con maggior sicurezza nell'ambito della gamma di potenza indicata.
  - b) **Non utilizzare utensili elettrici con interruttori difettosi.** Un utensile elettrico che non si può più accendere o spegnere è pericoloso e dovrà essere riparato.
  - c) **Prima di procedere ad operazioni di regolazione sull'utensile, prima di sostituire parti accessorie oppure prima di posare l'utensile al termine di un lavoro, estrarre sempre la spina dalla presa della corrente e/o estrarre la batteria ricaricabile.** Tale precauzione eviterà che l'utensile possa essere messo in funzione inavvertitamente.
  - d) **Custodire gli utensili elettrici non utilizzati al di fuori della portata dei bambini. Non fare usare l'utensile a persone che non sono abituate ad usarlo o che non abbiano letto le presenti istruzioni.** Gli utensili elettrici sono pericolosi se utilizzati da persone inesperte.
  - e) **Effettuare accuratamente la manutenzione dell'utensile. Verificare che le parti mobili dell'utensile funzionino perfettamente e non s'inzeppino, che non ci siano pezzi rotti o danneggiati al punto tale da limitare la funzione dell'utensile stesso. Far riparare le parti danneggiate prima d'impiegare l'utensile.** Numerosi incidenti vengono causati da utensili elettrici la cui manutenzione è stata effettuata poco accuratamente.
  - f) **Mantenere affilati e puliti gli utensili da taglio.** Gli utensili da taglio curati con particolare attenzione e con taglienti affilati s'inzeppano meno frequentemente e sono più facili da condurre.
  - g) **Utilizzare utensili elettrici, accessori, attrezzi, ecc. in conformità con le presenti istruzioni. Osservare le condizioni di lavoro ed il lavoro da eseguirsi**

**durante l'impiego.** L'impiego di utensili elettrici per usi diversi da quelli consentiti potrà dar luogo a situazioni di pericolo.

#### 5) ASSISTENZA

- a) **Fare riparare l'utensile solo ed esclusivamente da personale specializzato e solo impiegando pezzi di ricambio originali.** In tale maniera potrà essere salvaguardata la sicurezza dell'utensile.

#### ISTRUZIONI DI SICUREZZA PER FRESATRICI

##### NOTE GENERALI

- Questo utensile non dev'essere utilizzato da persone di età inferiore ai 16 anni
- **Staccate sempre la spina dell'utensile prima di effettuare regolazioni o cambiare gli accessori**

##### ACCESSORI

- La SKIL garantisce un perfetto funzionamento dell'utensile soltanto se vengono utilizzati accessori originali
- Utilizzate solo accessori il cui numero massimo di giri corrisponda almeno al massimo dei numeri di giri dell'utensile
- Non utilizzate frese danneggiate o deformate
- Utilizzate solo frese affilate
- Proteggere gli accessori da impatto, da urti e dal grasso
- Utilizzate sempre frese in acciaio ad alta velocità (HSS) al carburante di tungsteno con quest'utensile

##### PRIMA DELL'USO

- Evitate possibili danneggiamenti da viti e chiodi sporgenti; rimuoverli prima di iniziare la lavorazione
- Controllare che la tensione dell'alimentazione sia la stessa di quella indicata sulla targhetta dell'utensile (gli utensili con l'indicazione di 230V o 240V possono essere collegati anche alla rete di 220V)
- **Non lavorare mai materiali contenenti amianto** (l'amianto è ritenuto materiale cancerogeno)
- **Utilizzare morsetti o altre attrezzature per fissare e sostenere il pezzo di lavorazione a una piattaforma stabile** (tenere il pezzo in lavorazione in mano o stretto al corpo è instabile e può far perdere il controllo dell'utensile)
- Non serrare l'utensile in una morsa
- Usare cavi di prolunga completamente srotolati e sicure con una capacità di 16 Amp
- Durante le operazioni di lavoro il livello di rumorosità può superare 85 dB(A); utilizzare le cuffie di protezione
- Le polveri di materiali come vernici contenenti piombo, alcune specie di legno, minerali e metallo possono essere nocive (il contatto con queste polveri o la loro inalazione possono causare reazioni allergiche e/o disturbi respiratori all'operatore o ad altre persone presenti sul posto); **indossare una maschera protettiva per la polvere e utilizzare un dispositivo per l'estrazione della polvere se è presente una presa di collegamento**
- Alcuni tipi di polvere sono classificati come cancerogeni (quali le polveri di quercia e faggio) specialmente se associate ad additivi per il trattamento del legno; **indossare una maschera protettiva per la polvere e utilizzare un dispositivo per l'estrazione della polvere se è presente una presa di collegamento**



- Rispettare le istruzioni nazionali riguardanti l'estrazione della polvere per i materiali in lavorazione
- Assicurarsi che l'utensile sia spento quando si inserisce alla rete

#### DURANTE L'USO

- **Tenere l'utensile elettrico dalle superfici di impugnatura isolate, perché le lame di taglio potrebbe entrare a contatto con il proprio cavo** (le lame di taglio che entrano a contatto con un filo sotto tensione possono trasferire tensione alle parti metalliche esposte dell'utensile elettrico e provocare una scossa elettrica all'operatore)
  - Mantenere sempre il cavo distante dalle parti in movimento dell'utensile; spingere il cavo verso la parte posteriore, distante dall'utensile
  - Non usate l'utensile quando il cavo o la base R ② (= dispositivo di protezione) è danneggiato; farlo sostituire da personale qualificato
  - Tenete le mani e le dita lontano dalla fresa quando l'interruttore dell'utensile è acceso
  - Non superate la massima profondità di fresatura della fresa durante il fresatura
  - Nel caso di cattivo funzionamento elettrico o meccanico, spegnete subito l'utensile e staccate la spina
  - Nel caso che la fresa si blocchi, che causa eccessiva forza di spinta sull'utensile, spegnete immediatamente l'utensile
  - In caso di mancata corrente oppure quando la spina viene tirata fuori accidentalmente, spegnete immediatamente l'utensile per impedire un avviamento non incontrollato
  - Non applicare troppa pressione sull'utensile che si ferma
- #### DOPO L'USO
- Una volta terminato il lavoro, allentate la leva H ②, riportate l'utensile alla posizione originaria superiore e spegnetelo

## USO

- Montare/togliere le frese ④
  - ! **spegnete l'utensile e togliete la spina dalla presa di corrente**
  - ! **assicuratevi che l'albero della fresa sia perfettamente pulito**
  - ! **assicuratevi che la misura della pinza (6 mm, 8 mm) corrisponda a quella dell'albero della fresa**
  - capovolgete l'utensile
  - bloccate l'albero premendo il sistema di bloccaggio A (girare il dado B della pinza, se necessario) e tenetelo così mentre
- PER MONTARE:
  - allentate il dado B con la chiave C
  - inserite la fresa 3/4 nella pinza
  - stringete accuratamente il dado con la chiave C
- PER TOGLIERE:
  - allentate il dado B con la chiave C
  - rimuovete la fresa
  - rilasciate il sistema di bloccaggio A
  - ! **può essere necessario battere sul dado della pinza con la chiave, finché la fresa non si libera** ⑤
  - ! **non stringete mai il dado della pinza senza una fresa inserita; la pinza potrebbe danneggiarsi**

- Cambiare la pinza
  - ! **spegnete l'utensile e togliete la spina dalla presa di corrente**
  - ! **assicuratevi che l'albero della pinza sia perfettamente pulito**
  - allentate il dado della pinza B di 2 o 3 giri
  - pigiate il dado della pinza B con la chiave C
  - rimuovete il dado della pinza B e la pinza (bloccate l'albero)
  - capovolgete l'utensile
  - inserite un nuova pinza nell'albero della pinza
  - montate il dado della pinza B (bloccate l'albero)
  - ! **non stringete mai il dado della pinza senza una fresa inserita; la pinza potrebbe danneggiarsi**
- Regolazione della profondità di fresatura ⑥
  - ! **spegnete l'utensile e togliete la spina dalla presa di corrente**
  - accertarsi che l'asta piccola all'interno dell'asta di profondità D si estende di circa 3 mm (utilizzare la manopola di regolazione fine E) ⑥a
  - ruotate la torretta F così che il la sua posizione più alta entrerà di scatto nel suo posto precisamente sotto il misuratore di profondità D (taratura a zero) ⑥b
  - allentate il bottone G così che il misuratore di profondità Dcali nella torretta con fermi di profondità F ⑥b
  - collocare l'utensile sul pezzo di lavorazione
  - allentare la leva di bloccaggio H ⑥c
  - spingete l'utensile verso il basso finché la punta a fresa sia in contatto con il pezzo di lavoro ⑥d
  - serrare la leva di bloccaggio H ⑥e
  - la profondità di fresatura è impostata su 0 mm (annotare il valore come indicato sulla scala di profondità)
  - sollevare l'asta di profondità D i mm necessari a raggiungere la profondità di taglio desiderata e serrare la manopola G ⑥f
  - svitare la leva di bloccaggio H e guidare lo strumento di nuovo verso l'alto
  - utilizzare la manopola di regolazione fine E per impostare la profondità di taglio con maggiore precisione (0-10 mm)
  - con la torretta con fermi di profondità F la profondità di taglio può essere aumentata rispettivamente di 5 o 10 mm
  - ! **regolare nuovamente la profondità di taglio dopo aver modificato le frese**
- Controllo della velocità ⑦
  - Per risultati di fresatura ottimale su materiali diversi
  - selezionate la velocità di fresatura con la rotella J (anche quando l'utensile è in funzione)
  - usate la tabella ④ come riferimento per determinare la giusta velocità di fresatura
  - prima di iniziare un lavoro, trovate la velocità ottimale facendo delle prove su del materiale di scarto
  - ! **dopo lunghi periodi di lavoro a bassa velocità, lasciate che l'utensile si raffreddi facendolo funzionare ad alta velocità senza carico per circa 3 minuti**
- Aspirazione della polvere ⑧
  - montate l'aspirapolvere sulla prolunga K
  - ! **non lasciare mai interferire il tubo dell'aspiratore con le operazioni di fresatura**

- Uso dell'utensile ⑩
  - regolate la profondità di fresatura
  - ! **tenete sempre l'utensile con ambedue le mani**
  - ! **durante la lavorazione, impugna l'utensile sempre in corrispondenza della(e) area(e) grigia(e)**
  - collocare l'utensile sul pezzo di lavorazione
  - per accendere il vostro utensile schiacciare l'interruttore L
  - in caso di utilizzo prolungato bloccare l'interruttore premendo il pulsante M
  - ! **prima che la fresa raggiunga il pezzo in lavorazione, l'utensile deve girare a piena velocità**
  - svitare la leva H e spingere lentamente l'utensile verso il basso fino a che il misuratore di profondità D raggiunga la torretta con fermi di profondità F
  - serrate la leva di bloccaggio H
  - eseguite l'operazione di fresatura operando con un avanzamento uniforme
  - usate il vostro utensile con la base in posizione piana sul pezzo da lavorare
  - come regola generale si dovrebbe tirare l'utensile, non spingerlo
  - per sbloccarlo schiacciare nuovamente l'interruttore L e poi rilasciarlo
  - una volta terminato il lavoro, allentate la leva H e riportate l'utensile alla posizione originaria superiore
- Regolazione delle posizioni dell'impugnatura ⑪
  - sbloccare entrambe le impugnature facendo scorrere le manopole N fino alla posizione più estrema e tenere ferme mentre si ruotano le impugnature nella posizione desiderata
  - rilasciare entrambe le manopole N fino a che non scattino in posizione (4 posizioni possibili)
- Guida in modo appropriato a seconda dei tagli
  - ricordatevi che la fresa gira in senso orario
  - guidate l'utensile in modo che la fresa giri nel pezzo da lavorare; mai al di fuori
- Montaggio della piastra adattatrice P (per copiare con una sagoma) ⑬
- Montaggio della guida parallela Q ⑭
  - inserite i rondini V della guida parallela nei fori della base R
  - fate scivolare il riparo di fibra alla profondità desiderata e fissarlo con 2 pomoli W
- Utilizzando la guida parallela come guida circolare ⑮
  - ! **invertite prima la guida parallela**
  - serrate il perno X col dado ad alette Y come illustrato.
  - inserite i rondini V nella piastra di base R
  - infilate il perno X nel centro marcato dell'arco circolare
  - fissate la guida parallela con 2 pomoli W
  - guidate l'utensile con consistente avanzamento lungo il pezzo di lavorazione
- Utilizzando la guida parallela con il buffer curvo Z ⑯
  - montate il buffer curvo Z (col rullo di guida montato) come illustrato
  - guidate l'utensile lungo il bordo del pezzo di lavorazione con leggera pressione laterale

## CONSIGLIO PRATICO

- Per tagli paralleli al lato del pezzo di lavoro usate la guida parallela

- Per tagli paralleli lontani dal lato del pezzo di lavoro ⑩
  - applicate, per mezzo di 2 morsetti, un pezzo di legno dritto al pezzo di lavoro
  - guidate l'utensile con il suo lato piano lungo il bordo del pezzo di legno applicato che funge ora da guida parallela
- Quando si usano frese munite di un perno di guida oppure di un cuscinetto a sfere, il perno di guida oppure il cuscinetto a sfere deve scivolare lungo il bordo del pezzo in lavorazione che dovrebbe essere liscio ⑰
- Per profondità maggiori di fresatura, si raccomanda di eseguire diversi successivi passaggi di fresatura con rispettiva asportazione minore di trucioli

## MANUTENZIONE / ASSISTENZA

- Questo utensile non è inteso per un uso professionale
- Tenete sempre puliti utensile e cavo (soprattutto le feritoie di ventilazione S ②)
- Lubrificare di tanto in tanto le stange T ②
- Se nonostante gli accurati procedimenti di produzione e di controllo l'utensile dovesse guastarsi, la riparazione va fatta effettuare da un punto di assistenza autorizzato per gli elettro utensili SKIL
  - inviare l'utensile **non smontato** assieme alle prove di acquisto al rivenditore oppure al più vicino centro assistenza SKIL (l'indirizzo ed il disegno delle parti di ricambio dell'utensile sono riportati su [www.skil.com](http://www.skil.com))

## TUTELA DELL'AMBIENTE

- **Non gettare l'utensile elettrico, gli accessori e l'imballaggio tra i rifiuti domestici** (solo per paesi UE)
  - secondo la Direttiva Europea 2012/19/CE sui rifiuti di utensili elettrici ed elettronici e la sua attuazione in conformità alle norme nazionali, gli utensili elettrici esausti devono essere raccolti separatamente, al fine di essere reimpiagati in modo eco-compatibile
  - il simbolo ⑯ vi ricorderà questo fatto quando dovrete eliminarlo

## DICHIARAZIONE DEI CONFORMITÀ CE

- Assumendone la piena responsabilità, dichiariamo che il prodotto descritto nei "Dati tecnici" è conforme alle seguenti normative ed ai relativi documenti: EN 60745, EN 61000, EN 55014 in base alle prescrizioni delle direttive 2004/108/EG, 2006/42/EG, 2011/65/UE, 2009/125/EG (UE regolamento 1194/2012)
- **Fascicolo tecnico presso:** SKIL Europe BV (PT-SEU/ENG1), 4825 BD Breda, NL

Marijn van der Hoofden  
Operations & Engineering

Olaf Dijkgraaf  
Approval Manager




SKIL Europe BV, 4825 BD Breda, NL

05.09.2014

## RUMOROSITÀ/VIBRAZIONE

- Misurato in conformità al EN 60745 il livello di pressione acustica di questo utensile è 84 dB(A) ed il livello di potenza acustica 95 dB(A) (deviazione standard: 3 dB), e la vibrazione 4,4 m/s<sup>2</sup> (metodo mano-braccio; incertezza K = 1,5 m/s<sup>2</sup>)
  - Il livello di emissione delle vibrazioni è stato misurato in conformità a un test standardizzato stabilito dalla norma EN 60745; questo valore può essere utilizzato per mettere a confronto un l'utensile con un altro o come valutazione preliminare di esposizione alla vibrazione quando si impiega l'utensile per le applicazioni menzionate
    - se si utilizza l'utensile per applicazioni diverse, oppure con accessori differenti o in scarse condizioni, il livello di esposizione potrebbe **umentare** notevolmente
    - i momenti in cui l'utensile è spento oppure è in funzione ma non viene effettivamente utilizzato per il lavoro, possono contribuire a **ridurre** il livello di esposizione
- ! proteggersi dagli effetti della vibrazione effettuando la manutenzione dell'utensile e dei relativi accessori, mantenendo le mani calde e organizzando i metodi di lavoro**

H

Felsőmaró

1840

## BEVEZETÉS

- A készülék rögzített fa- és műanyagmunkadarokban, valamint könnyű építőanyagokban horonymarásra, élek, profilok és ékhornyok marására, valamint másoló marásra szolgál
- A szerszám nem professzionális használatra készült
- Az elektromos kéziszerszám lámpája az elektromos kéziszerszám közvetlen munkaterületének megvilágítására szolgál, a háztartásban lévő helyiségek megvilágítására nem alkalmas
- Olvassa el figyelmesen és őrizze meg a használati utasítást ③

## MŰSZAKI ADATOK ①

### SZERSZÁMGÉP ELEMEI ②

- A Tengelyrögzítést
- B A befogópatron anyája
- C Kulcs
- D Mélységbeállító
- E Finombeállító gomb
- F Ismétlő mélységűtköző
- G Állítógombja (mélységbeállító)
- H Rögzítő kar
- J Sebességszabályzó kerék
- K Adapter a porszívóhoz
- L Be/ki kapcsológomb
- M Kapcsolórögzítógomb
- N Állítógombja (fogantyú)
- O LED-fények
- P Adapterlap

- Q Vezetőléc
- R Alaplemez
- S Szellőzőnyílások
- T Vezetősinék
- V Vezetőléc pálcák
- W Vezetőlécet beállító gomb
- X Vezetőléc csap
- Y Vezetőléc rögzítő szárnyas any
- Z Ívelt ütköző

## BIZTONSÁG

### ÁLTALÁNOS BIZTONSÁGI ELŐÍRÁSOK

**FIGYELEM! Olvassa el az összes biztonsági figyelmeztetést és előírást.** A következőkben leírt előírások betartásának elmulasztása áramütésekhez, tűzhöz és/vagy súlyos testi sérülésekhez vezethet. **Kérjük a későbbi használatra gondosan őrizze meg ezeket az előírásokat.** Az alább alkalmazott elektromos kéziszerszám fogalom a hálózati elektromos kéziszerszámok (hálózati csatlakozó kábel) és az akkumulátoros elektromos kéziszerszámok (hálózati csatlakozó kábel nélkül) foglalja magában.

### 1) MUNKAHELYI BIZTONSÁG

- Tartsa tisztán és tartsa rendben a munkahelyét.** Rendetlen munkahelyek vagy megvilágítatlan munkaterületek balesetekhez vezethetnek.
- Ne dolgozzon az elektromos kéziszerszámmal olyan robbanásveszélyes környezetben, ahol éghető folyadékok, gázok vagy porok vannak.** Az elektromos kéziszerszámok szikrákat bocsáthatnak ki, amelyek meggyújthatják a port vagy a gőzöket.
- Tartsa távol a gyerekeket és az idegen személyeket a munkahelytől, ha az elektromos kéziszerszámot használja.** Ha elvonják a figyelmét a munkától, könnyen elvesztheti az uralmát a berendezés felett.

### 2) ELEKTROMOS BIZTONSÁGI ELŐÍRÁSOK

- A készülék csatlakozó dugójának bele kell illeszkednie a dugaszolóaljzatba. A csatlakozó dugót semmilyen módon sem szabad megváltoztatni. Védőföldeléssel ellátott készülékekkel kapcsolatban ne használjon csatlakozó adaptert.** A változtatás nélküli csatlakozó dugók és a megfelelő dugaszoló aljzatok csökkentik az áramütés kockázatát.
- Ne érjen hozzá földelt felületekhez, mint csövekhez, fűtőtestekhez, kályhákhoz és hűtőszekrényekhez.** Az áramütési veszély megnövekszik, ha a teste le van földelve.
- Tartsa távol az elektromos kéziszerszámot az esőtől és a nedvesség hatásaitól.** Ha víz hatol be egy elektromos kéziszerszámba, ez megnöveli az áramütés veszélyét.
- Ne használja a kábelt a rendeltetésétől eltérő célokra, vagyis a szerszámot soha ne hordozza vagy akassza fel a kábelnél fogva, és soha ne húzza ki a hálózati csatlakozó dugót a kábelnél fogva. Tartsa távol a kábelt hőforrásoktól, olajtól, éles élektől, sarkaktól és mozgó gépkalkatrésektől.** Egy megrongálódott vagy csomókkal teli kábel megnöveli az áramütés veszélyét.

- e) Ha egy elektromos kéziszerszámmal a szabad ég alatt dolgozik, csak a szabadban való használatra engedélyezett hosszabbítót használjon. A szabadban való használatra engedélyezett hosszabbító használata csökkenti az áramütés veszélyét.
- f) Ha nem lehet elkerülni az elektromos kéziszerszám nedves környezetben való használatát, alkalmazzon egy földzárlat megszakítót. Egy földzárlat megszakító alkalmazása csökkenti az áramütés kockázatát.

### 3) SZEMÉLYI BIZTONSÁGI ELŐÍRÁSOK

- a) Munka közben mindig figyeljen, ügyeljen arra, amit csinál, és megdondoltan dolgozzon az elektromos kéziszerszámmal. Ha fáradt, ha kábítószerek vagy alkohol hatása alatt áll, vagy orvosságokat vett be, ne használja a berendezést. A berendezéssel végzett munka közben már egy pillanatnyi figyelmetlenség is komoly sérülésekhez vezethet.
- b) Viseljen személyi védőfelszerelést és mindig viseljen védőszemüveget. A személyi védőfelszerelések, mint porvédő álarc, csúszásbiztos védőcipő, védősapka és fülvédő használata az elektromos kéziszerszám használata jellegének megfelelően csökkenti a személyes sérülések kockázatát.
- c) Kerülje el a készülék akaratlan üzembe helyezését. Győződjön meg arról, hogy az elektromos kéziszerszám ki van kapcsolva, mielőtt bedugná a csatlakozó dugót a dugaszolóaljzatba, csatlakoztatná az akkumulátor-csomagot, és mielőtt felvenné és vinni kezdené az elektromos kéziszerszámot. Ha az elektromos kéziszerszám felemelése közben az újjat a kapcsolón tartja, vagy ha a készüléket bekapcsolt állapotban csatlakoztatja az áramforráshoz, ez balesetekhez vezethet.
- d) Az elektromos kéziszerszám bekapcsolása előtt okvetlenül távolítsa el a beállító szerszámokat vagy csavarkulcsokat. Az elektromos kéziszerszám forgó részeiben felejtett beállító szerszám vagy csavarkulcs sérüléseket okozhat.
- e) Ne bicsujlje túl önmagát. Kerülje el a normálistól eltérő testtartást, ügyeljen arra, hogy mindig biztosan álljon és az egyensúlyát megtartsa. Így az elektromos kéziszerszám felett váratlan helyzetekben is jobban tud uralkodni.
- f) Viseljen megfelelő ruhát. Ne viseljen bő ruhát vagy ékszereket. Tartsa távol a haját, a ruháját és a kesztyűjét a mozgó részekről. A bő ruhát, az ékszereket és a hosszú haját a mozgó alkatrészek magukkal ránthatják.

- g) Ha az elektromos kéziszerszámra fel lehet szerelni a por elszívásához és összegyűjtéséhez szükséges berendezéseket, ellenőrizze, hogy azok megfelelő módon hozzá vannak kapcsolva a készülékhez és rendeltetésüknek megfelelően működnek. A porgyűjtő berendezések használata csökkenti a munka során keletkező por veszélyes hatását.

### 4) AZ ELEKTROMOS KÉZISZERSZÁMOK GONDOS KEZELÉSE ÉS HASZNÁLATA

- a) Ne terhelje túl az elektromos kéziszerszámot. A munkájához csak az arra szolgáló elektromos kéziszerszámot használja. Egy alkalmas elektromos kéziszerszámmal a megadott teljesítménytartományon belül jobban és biztonságosabban lehet dolgozni.

- b) Ne használjon olyan elektromos kéziszerszámot, amelynek a kapcsolója elromlott. Egy olyan elektromos kéziszerszám, amelyet nem lehet sem be-, sem kikapcsolni, veszélyes és meg kell javíttatni.
- c) Húzza ki a csatlakozó dugót a dugaszolóaljzatból és/vagy az akkumulátor-csomagot az elektromos kéziszerszámból, mielőtt az elektromos kéziszerszámon beállítási munkákat végez, tartozékokat cserél vagy a szerszámot tárolásra elteszi. Ez az elővigyázatossági intézkedés meggátolja a szerszám akaratlan üzembe helyezését.
- d) A használaton kívüli elektromos kéziszerszámokat olyan helyen tárolja, ahol azokhoz gyerekek ne férhessenek hozzá. Ne hagyja, hogy olyan személyek használják az elektromos kéziszerszámot, akik nem ismerik a szerszámot, vagy nem olvasták el ezt az útmutatót. Az elektromos kéziszerszámok veszélyesek, ha azokat gyakorlatlan személyek használják.
- e) A készüléket gondosan ápolja. Ellenőrizze, hogy a mozgó alkatrészek kifogástalanul működnek-e, nincsenek-e beszorulva, és nincsenek-e eltörve vagy megrongálódva olyan alkatrészek, amelyek hatással lehetnek az elektromos kéziszerszám működésére. A megrongálódott részeket a készülék használatára előtt javíttassa meg. Sok olyan baleset történik, amelyet az elektromos kéziszerszám nem kielégítő karbantartására lehet visszavezetni.
- f) Tartsa tisztán és éles állapotban a vágószerszámokat. Az éles vágóélekkel rendelkező és gondosan ápolott vágószerszámok ritkábban ékelődnek be és azokat könnyebben lehet vezetni és irányítani.
- g) Az elektromos kéziszerszámokat, tartozékokat, betétszerszámokat stb. csak ezen előírásoknak használja. Vegye figyelembe a munkafeltételeket és a kivitelezendő munka sajátosságait. Az elektromos kéziszerszám eredeti rendeltetésétől eltérő célokra való alkalmazása veszélyes helyzetekhez vezethet.

### 5) SZERVIZ

- a) Az elektromos kéziszerszámot csak szakképzett személyzet és csak eredeti pótalkatrészek felhasználásával javíthatja. Ez biztosítja, hogy az elektromos kéziszerszám biztonságos szerszám maradjon.

## BIZTONSÁGI ELŐÍRÁSOK FELSŐMARÓKHOZ

### ÁLTALÁNOS TUDNIVALÓK

- A készüléket csak 16 éven felüli személyek használják
- Mindig húzza ki a dugaszolóaljzatot mielőtt tartozékokat cserélné vagy bármit változtatna a gép beállításán

### TARTOZÉKOK

- SKIL cég kizárólag eredeti alkatrészek és kiegészítők alkalmazása esetén tudja garantálni a gép problémamentes működését
- Csak olyan tartozékokat használjon, amelyek legmagasabb megengedett fordulatszáma legalább akkora, mint a berendezés legmagasabb üresjárati fordulatszáma
- Ne használjon károsodott vagy deformálódott marófejet
- Csak éles marófejet dolgozzon
- A tartozékokat védje az ütődésektől és a kenőanyagoktól

- A készüléket csak gyorsacél (HSS) vagy keményfémlapkás marófejjel használja

### HASZNÁLAT ELŐTT

- Ügyeljen arra, hogy a munkadarabban lévő csavar, szög vagy hasonló sérüléseket ne okozhasson; a munka megkezdése előtt eltávolítandó
- Mindig ellenőrizze, hogy a hálózati feszültség megegyezik-e a gép adattábláján feltüntetett értékkel (a 230V vagy 240V jelzésű gépek 220V feszültségre is csatlakoztathatók)
- **Ne munkáljon meg a berendezéssel azbeszttel tartalmazó anyagokat** (az azbeszttel rákkeltő hatása van)
- **Szorítóval vagy más praktikus módon rögzítse, és támassza meg a munkadarabot egy stabil tartóállványon** (ha csak a kezével tartja vagy a testéhez szorítja a munkadarabot, elveszítheti a stabilitását, valamint az uralmat a gép felett)
- A gépet tilos satuba fogni
- Használjon teljesen letekerített és biztonságos hosszabbítókábelt, 16 A-es teljesítménnyel
- Munka közben a zaj meghaladhatja a 85 dB(A); használjon fülvédőt
- Az anyagból származó por (mint például az ólomot, néhány fafajtát, ásványi anyagokat és fémeket tartalmazó festékek) káros lehet (a por érintése vagy belégzése allergiás reakciókat és/vagy légzőszervi betegségeket okozhat a kezelő, illetve a közelben állók esetében); **viseljen pormaszkot és amennyiben csatlakoztatható, dolgozzon porszívó berendezéssel**
- Bizonyos porfajták rákkeltő besorolással rendelkeznek (ilyen például a tölgypora és a bükkfa-pora), különösen a fa kondicionálására szolgáló adalékokkal együtt; **viseljen pormaszkot és amennyiben csatlakoztatható, dolgozzon porszívó berendezéssel**
- Kövesse a por kezelésével kapcsolatos helyi előírásokat azon termékkel kapcsolatosan, amellyel dolgozni kíván
- Győződjön meg róla, hogy a gépet ki legyen kapcsolva mielőtt a hálózati csatlakozóba bedugja

### HASZNÁLAT KÖZBEN

- **Az elektromos kéziszerszámot csak a szigetelt fogantyúfelületeknél fogja meg, mert a vágó rész elérheti a készülék saját hálózati vezetékét** (ha az elektromos kéziszerszám elvág egy feszültség alatt álló vezetékét, a fémrészei szintén feszültség alá kerülnek, ami áramütéshez vezet)
- A gép mozgó részétől mindig tartsa távol az elektromos kábelt; terelje a tápkábelt a gép hátulja felé, a géptől elfelé
- Soha ne használja a szerszámot ha a kábel vagy a talplemez R ② (= védőburkolat) sérült; cseréltesse ki szakértő által
- A készülék bekapcsolásakor a keze és az uja ne legyen a marófej közelében
- Soha ne lépje túl a marófej maximális marási mélységét munka közben
- Normállistól eltérő működés valamint szokatlan, idegen hangok esetén a készüléket azonnal kapcsolja ki és a kábelt húzza ki a fali dugaszoló aljzatból
- Ha a marófej elakad, és emiatt rángat a gép, azonnal kapcsolja ki

- Ha áramszünet következik be, vagy ha a dugós csatlakozót véletlenül kihúzza, azonnal kapcsolja le a berendezést, nehogy a készülék ellenőrizetlenül újrainduljon
- Soha ne fejtsen ki akkora nyomást a gépre, hogy az megálljon

### A HASZNÁLATOT KÖVETŐEN

- A munka befejeztével, engedje ki a H ② kart, majd helyezze a készüléket a bekapcsolás előtti állapotba, kikapcsolva

## KEZELÉS

- A marófejek behelyezése és kivétele ④
  - ! **kapcsolja ki a gépet és húzza ki a csatlakozódugót**
  - ! **ügyeljen arra, hogy a marófej tengelye teljesen tiszta legyen**
  - ! **ügyeljen arra, hogy az adott marófejhez a megfelelő befogójelet (6 mm, 8 mm) használja**
  - a gépet fordítsa fel
  - az A jelű rögzítővel blokkolja a tengelyt (szükség esetén a B jelű anyát kicsit forgassa el) és az alábbi műveletek elvégzésénél tartsa lenyomva

#### BEHÉLYEZÉSKOR:

- a B jelű anyát oldja meg a C kulcs segítségével
- a marófejet 3/4 tegeye be befogófejbe
- az anyát a C kulccsal jól húzza meg

#### KIVÉTELKOR:

- a B jelű anyát oldja meg a C kulcs segítségével
- vegye ki a marófejet
- a tengelyrögzítést A oldja

- ! **a beszorult marófejet oldhatjuk, ha a szerelőkulccsal az anyára ütünk ⑤**

- ! **üres befogófej meghúzása a csavar sérülését vonja maga után**

- Befogófej cseréje
  - ! **kapcsolja ki a gépet és húzza ki a csatlakozódugót**
  - ! **ügyeljen arra, hogy a befogófej tengelye teljesen tiszta legyen**
  - lazítsa meg 2-3 fordulattal a befogófejen lévő B jelű anyát
  - ütögesse meg a B jelű anyát a C villáskulccsal
  - távolítsa el a befogófejen lévő B jelű anyát és magát a befogófejet (blokkolja a tengelyt)
  - a gépet fordítsa fel
  - helyezze fel a tengelyre az új befogófejet
  - a B jelű anyát szerelje fel (blokkolja a tengelyt)
  - ! **üres befogófej meghúzása a csavar sérülését vonja maga után**
- Marási mélység beállítása ⑥
  - ! **kapcsolja ki a gépet és húzza ki a csatlakozódugót**
  - ellenőrizze, hogy a mélységbeállítóban található rúd D körülbelül 3 mm-re kinyúlik (használja a finombeállító gombot E) ⑥a
  - forgassa el F az ismétlő mélységűtköztől annyira, hogy a legmagasabb helyzetében a helyére kattanjon a mélységbeállító alatt D (nullázás) ⑥b
  - lazítsa meg a gombot G annyira, hogy a mélységbeállító D az ismétlő mélységűtközőre essen F ⑥b

- a készülék a munkadarabra illeszkedik
- lazítsa ki a rögzítő kart H ⑥c
- a gépet nyomja lefelé, míg a marófej a munkadarabon felfekszik ⑥d
- húzza meg a rögzítő kart H ⑥e
- a marási mélység ezzel beállt 0 mm értékre (a skála által mutatott értéket jegyezze fel)
- emelje fel a mélységbeállítót D a kívánt marási mélységnek megfelelő magasságba (mm), és húzza meg a gombot G ⑥f
- lazítsa meg a rögzítő kart, H és helyezze a készüléket ismét fenti helyzetbe
- használja a finombeállító gombot E a marási mélység még pontosabb beállításához (0–10 mm)
- az ismétlődő mélységűtközéssel F a marási mélység 5 vagy 10 mm-rel növelhető
- ! **marófej cseréje esetén állítsa be újra a marási mélységet**
- Sebesesszabályozása ⑦  
Különböző anyagokon végzett optimális marási eredmény elérése érdekében
  - válassza ki a marási művelet sebességét a J jelű szabályozótárcsával (a szerszám működése közben is állítható)
  - használja a ⑧-os táblázatot a megfelelő marósebesség kiválasztásához
  - a munka megkezdése előtt, próbálja ki hulladék anyagon az optimális sebességet
- ! **a szerszám kis sebességen történő hosszabb üzemeltetése után, hagyja a motort lehűlni oly módon, hogy azt nagy sebességen, kb. 3 percig terhelés nélkül futtatja**
- Por elszívás ⑨
  - az K adapterre a legkedvezőbb porfelvételhez
  - ! **ügyeljen arra, hogy a poreszívó csöve ne akadályozza a marási műveletet**
- A gép üzemeltetése ⑩
  - marási mélység beállítjuk
  - ! **a gépet mindig két kézzel fogja**
  - ! **munka közben mindvégig tartsa gépet a szürke színű markolati terület(ek)en**
  - a készülék a munkadarabra illeszkedik
  - a gépet az L kapcsoló lenyomásával bekapcsoljuk
  - a folyamatos használathoz rögzítse a kapcsolót az M gomb megnyomásával
  - ! **mielőtt a készüléket a munkadarabra vezetné, várja meg, amíg a motor a maximális fordulatszámot eléri**
  - lazítsa ki a rögzítő kart, H és lassan nyomja le a marót, amíg a mélységbeállító D el nem éri az ismétlődő mélységűtközést F
  - húzza meg a rögzítő kart H
  - normál üzemszerű használatban végezze a marási munkafolyamatokat
  - használat közben a gép talpa fekkdjön fel a munkadarabon
  - általában a gépet "húzzuk", nem toljuk
  - a rögzítés kioldása az L kapcsoló újbóli lenyomásával történik
  - a munka befejeztével, engedje ki a H kart, majd helyezze a készüléket a bekapcsoláskori állapotba
- A fogantyú helyzetének beállítása ⑪
  - oldja ki mindkét fogantyút a gombokat N külső helyzetbe csúsztatva, majd így tartva őket, forgassa a fogantyúkat a kívánt helyzetbe
  - engedje el mindkét gombot, N hogy bekattanjanak a reteszek (4 pozíció lehetséges)
- A megfelelő vezetés a különböző marásoknál
  - ügyeljünk arra, hogy a marófej az óramutató járásával egyező irányban forogjon
  - a gépet oly módon vezessük, hogy a marófej a munkadarab irányába forogjon
- Az P adapterlap felszerelése (minta utáni munkáknál) ⑬
- A vezetőléceket Q felszerelése ⑭
  - a V vezetőrudakat tolja be a talp R meglévő furataiba
  - csúsztassa be a vezetőléceket a kívánt mértékben, majd rögzítse a két W jelű gombbal
- Vezetőléce használata körkörös marás esetén ⑮
  - ! **először fordítsa felfelé a vezetőléceket**
  - rögzítse a központosítócsapot X a szárnyas anyával Y az ábrán látható módon
  - tolja be az V jelű vezetőrudakat a talp R furataiba
  - enyhén nyomja a központosítócsapot X a körív megjelölt közepébe
  - rögzítse a vezetőléceket a két W jelű gombbal
  - egyenletesen haladva vezesse a marófejet a munkadarabon
- Vezetőléce használata ívelt útközéssel Z ⑯
  - fogassa be az ívelt útközést Z (vezetőgörgővel ellátott) a befogójukba az ábrán látható módon
  - haladjon a marófejjel a munkadarab szélén, miközben enyhe nyomást gyakorol oldalirányban a szerszámra

## HASZNÁLAT


- Munkadarab szélével párhuzamosan végzett munkákhoz használja a távtartót
- A munkadarab szélétől távol eső, azzal párhuzamosan végzendő munkák esetén ⑩
  - egy kemény faléceet fogasson fel 2 szorítóval a munkadarabra
  - a felsőmaró talpának egyenes oldalát a faléc mentén vezessük, ez szolgál most oldalvezetőként
- Vezetőgörgővel rendelkező marófejek használata esetén a görgőt a munkadarab lehetőleg sima külső szélén kell vezetni ⑰
- Nagyobb marási mélységek lemunkálásához célszerű a munkát több egymás utáni lépésben elvégezni, úgy hogy a lemunkálási mélység mindegyik lépésben kisebb legyen

## KARBANTARTÁS / SZERVIZ

- A szerszám nem professzionális használatra készült
- Mindig tartsa tisztán a gépet és a vezetőket (különös tekintettel a szellőzőnyílásokra S ②)
- A vezetősineket T ② időnként zsírozza
- Ha a gép a gondos gyártási és ellenőrzési eljárás ellenére egyszer mégis meghibásodna, akkor a javítással csak SKIL elektromos kéziszerszám-műhely ügyfélszolgálatát szabad megbízni

- küldje az **összeszerelt** gépet a vásárlást bizonyító számlával együtt a kereskedő vagy a legközelebbi SKIL szervizállomás címére (a címlista és a gép szervizdiagramja a [www.skil.com](http://www.skil.com) címen található)

## KÖRNYEZET

- **Az elektromos kéziszerszámokat, tartozékokat és csomagolást ne dobja a háztartási szemétkébe** (csak EU-országok számára)
  - a használt villamos és elektronikai készülékekről szóló 2012/19/EK irányelv és annak a nemzeti jogba való átültetése szerint az elhasznált elektromos kéziszerszámokat külön kell gyűjteni, és környezetbarát módon újra kell hasznosítani
  - erre emlékeztet a  jelzés, amennyiben felmerül az intézkedésre való igény

## MEGFELELŐSÉGI NYILATKOZAT C E

- Egyedüli felelőséggel kijelentjük, hogy a "Műszaki adatok" alatt leírt termék megfelel a következő szabványoknak, illetve irányadó dokumentumoknak: EN 60745, EN 61000, EN 55014 a 2004/108/EK, 2006/42/EK, 2011/65/EU, 2009/125/EK (EU előírás 1194/2012) irányelveknek megfelelően
- **A műszaki dokumentáció a következő helyen található:** SKIL Europe BV (PT-SEU/ENG1), 4825 BD Breda, NL

Marijn van der Hoofden  
Operations & Engineering

Olaf Dijkgraaf  
Approval Manager




SKIL Europe BV, 4825 BD Breda, NL

05.09.2014

## ZAJ/REZGÉS


- Az EN 60745 alapján végzett mérések szerint ezen készülék hangnyomás szintje 84 dB(A) a hangteljesítmény szintje 95 dB(A) (normál eltérés: 3 dB), a rezgésszám 4,4 m/s<sup>2</sup> (kézre-ható érték; szórás K = 1,5 m/s<sup>2</sup>)
- A rezgés-kibocsátási szint mérése az EN 60745 szabványban meghatározott szabványosított teszttel összhangban történt; ez egy eszköznek egy másik eszközzel történő összehasonlítására, illetve a rezgésnek való kitétség előzetes felmérésére használható fel az eszköznek az említett alkalmazásokra történő felhasználása során
  - az eszköznek eltérő alkalmazásokra, vagy eltérő, illetve rosszul karbantartott tartozékokkal történő felhasználása jelentősen **emelheti** a kitétség szintjét
  - az idő, amikor az eszköz ki van kapcsolva, vagy amikor ugyan működik, de ténylegesen nem végez munkát, jelentősen **csökkentheti** a kitétség szintjét
- ! **az eszköz és tartozékai karbantartásával, kezének melegen tartásával, és munkavégzésének megszervezésével védje meg magát a rezgések hatásaitól**

CZ

## Horní fréзка

1840

## ÚVOD

- Náradí je určen k frézování drážek, hran, profilů a podélných otvorů do dřeva, umělé hmoty a lehkých stavebních materiálů, a také ke kopírovacímu frézování
- Tento nástroj není určen k profesionálnímu použití
- Světlo tohoto elektronáradí je určené k osvětlení bezprostřední pracovní oblasti elektronáradí a není vhodné pro osvětlení prostoru v domácnosti
- Tento návod s pokyny si pečlivě přečtěte a uschovejte 


## TECHNICKÁ DATA

## SOUČÁSTI NÁSTROJE

- A Aretač hřídele
- B Matice kleštiny
- C Klíč
- D Hlubkový doraz
- E Točítka pro jemné seřízení
- F Revolverový hlubkový doraz
- G Seřizovací knoflík (hlubkový doraz)
- H Aretační páka
- J Kolečko regulátor rychlosti
- K Nástavec pro vysavač
- L Spínač "zapnuto/vypnuto"
- M Tlačítko k zajištění vypínače
- N Seřizovací knoflík (rukojeť)
- O LED-kontrolky
- P Destička adaptéru
- Q Paralelní doraz
- R Základová deska
- S Větrací šterbiny
- T Kluznice
- V Tyče pro paralelní doraz
- W Knoflík pro nastavení ochranného krytu
- X Kolík pro paralelní doraz
- Y Křídlová matice pro paralelní doraz
- Z Nárazník pro zakřivení

## BEZPEČNOST

### VŠEOBECNÉ BEZPEČNOSTNÍ PŘEDPISY

 **POZOR!** Čtěte všechna varovná upozornění a pokyny. Zanedbání při dodržování varovných upozornění a pokynů mohou mít za následek úder elektrickým proudem, požár a/nebo těžká poranění. **Všechna varovná upozornění a pokyny do budoucna uschovejte.** Ve varovných upozorněních použitý pojem "elektronáradí" se vztahuje na elektronáradí provozované na el. síti (se síťovým kabelem) a na elektronáradí provozované na akumulátoru (bez síťového kabelu).

### 1) BEZPEČNOST PRACOVNÍHO MÍSTA

- a) **Udržujte Vaše pracovní místo čisté a uklizené.** Nepořádek nebo neosvětlené pracovní oblasti mohou vést k úrazům.

- b) **Se strojem nepracujte v prostředích ohrožených explozí, kde se nacházejí hořlavé kapaliny, plyny nebo prach.** Elektronářadí vytváří jiskry, které mohou prach nebo páry zapálit.
- c) **Děti a jiné osoby udržujte při použití elektronářadí daleko od Vašeho pracovního místa.** Při rozptýlení můžete ztratit kontrolu nad strojem.
- 2) ELEKTRICKÁ BEZPEČNOST**
- a) **Připojovací zástrčka stroje musí lícovat se zásuvkou. Zástrčka nesmí být žádným způsobem upravena. Společně se stroji s ochranným uzemněním nepoužívejte žádné adaptérové zástrčky.** Neupravené zástrčky a vhodné zásuvky snižují riziko elektrického úderu.
- b) **Zabraňte kontaktu těla s uzemněnými povrchy, jako např. potrubí, topení, sporáky a chladničky.** Je-li Vaše tělo uzemněno, existuje zvýšené riziko elektrického úderu.
- c) **Chraňte stroj před deštěm a vlhkem.** Vniknutí vody do elektrického stroje zvyšuje nebezpečí elektrického úderu.
- d) **Dbějte na účel kabelu, nepoužívejte jej k nošení či zavěšení stroje nebo vytažení zástrčky ze zásuvky. Udržujte kabel daleko od tepla, oleje, ostrých hran nebo pohyblivých dílů stroje.** Poškozené nebo spletené kabely zvyšují riziko elektrického úderu.
- e) **Pokud pracujete s elektronářadím venku, použijte pouze takové prodlužovací kabely, které jsou schváleny i pro venkovní použití.** Použití prodlužovacího kabelu, jež je vhodný pro použití venku, snižuje riziko elektrického úderu.
- f) **Pokud se nelze vyhnout provozu elektronářadí ve vlhkém prostředí, použijte ochranný jistič.** Nasazení ochranného jističe snižuje riziko úderu elektrickým proudem.
- 3) BEZPEČNOST OSOB**
- a) **Budte pozorní, dávejte pozor na to, co děláte a přistupujte k práci s elektronářadím rozumně. Stroj nepoužívejte pokud jste unavení nebo pod vlivem drog, alkoholu nebo léků.** Moment nepozornosti při použití elektronářadí může vést k vážným poraněním.
- b) **Noste osobní ochranné pomůcky a vždy ochranné brýle.** Nošení osobních ochranných pomůcek jako maska proti prachu, bezpečnostní obuv s protiskluzovou podrážkou, ochranná přilba nebo sluchátka, podle druhu nasazení elektronářadí, snižují riziko poranění.
- c) **Zabraňte neúmyslnému uvedení do provozu. Přesvědčte se, že je elektronářadí vypnuté dříve než jej uchopíte, poneseťe či připojíte na zdroj proudu a/ nebo akumulátor.** Máte-li při nošení elektronářadí prst na spínači nebo pokud stroj připojíte ke zdroji proudu zapnutý, pak to může vést k úrazům.
- d) **Než stroj zapnete, odstraňte seřizovací nástroje nebo šroubovák.** Nástroj nebo klíč, který se nachází v otáčivém dílu stroje, může vést k poranění.
- e) **Nepřeceňujte se. Zajistěte si bezpečný postoj a vždy udržujte rovnováhu.** Tím můžete stroj v neočekávaných situacích lépe kontrolovat.
- f) **Noste vhodný oděv. Nenoste žádný volný oděv nebo šperky. Vlasy, oděv a rukavice udržujte daleko od pohyblivých se dílů.** Volný oděv, šperky nebo dlouhé vlasy mohou být zachyceny pohyblivými se díly.

- g) **Lze-li namontovat odsávací či zachycující přípravky, přesvědčte se, že jsou připojeny a správně použity.** Použití odsávání prachu může snížit ohrožení prachem.
- 4) SVĚDOMITĚ ZACHÁZENÍ A POUŽÍVÁNÍ ELEKTRONÁŘADÍ**
- a) **Stroj nepřetěžujte. Pro svou práci použijte k tomu určený stroj.** S vhodným elektronářadím budete pracovat v dané oblasti výkonu lépe a bezpečněji.
- b) **Nepoužívejte žádné elektronářadí, jehož spínač je vadný.** Elektronářadí, které nelze zapnout či vypnout je nebezpečné a musí se opravit.
- c) **Než provedete seřízení stroje, výměnu dílů příslušenství nebo stroj odložíte, vytáhněte zástrčku ze zásuvky a/nebo odstraňte akumulátor.** Toto preventivní opatření zabrání neúmyslnému zapnutí stroje.
- d) **Uchovávejte nepoužívané elektronářadí mimo dosah dětí. Nenechte stroj používat osobám, které se strojem nejsou seznámeny nebo nečetly tyto pokyny.** Elektronářadí je nebezpečné, je-li používáno nezkušenými osobami.
- e) **Pečujte o stroj svědomitě. Zkontrolujte, zda pohyblivé díly stroje bezvadně fungují a nevzpříčují se, zda díly nejsou zlomené nebo poškozené tak, že je omezena funkce stroje. Poškozené díly nechte před nasazením stroje opravit.** Mnoho úrazů má příčinu ve špatně udržovaném elektronářadí.
- f) **Řezné nástroje udržujte ostré a čisté.** Pečlivě ošetřované řezné nástroje s ostrými řeznými hranami se méně vzpříčují a dají se lehčeji vést.
- g) **Používejte elektronářadí, příslušenství, nasazovací nástroje apod. podle těchto pokynů. Respektujte přitom pracovní podmínky a prováděnou činnost.** Použití elektronářadí pro jiné než určující použití může vést k nebezpečným situacím.
- 5) SERVIS**
- a) **Nechte Váš stroj opravit pouze kvalifikovaným odborným personálem a pouze s originálními náhradními díly.** Tím bude zajištěno, že bezpečnost stroje zůstane zachována.

## BEZPEČNOSTNÍ PŘEDPISY PRO HORNÍ FRÉZKA

### OBEČNĚ

- Tento nástroj nesmí používat osoby mladší 16 let
- Před seřizováním, měněním pilových listů a příslušenství, vždy vytáhněte zástrčku nářadí z el. sítě

### PŘÍSLUŠENSTVÍ

- SKIL zajistí bezvadnou funkci nářadí pouze tehdy, používáte-li původní značkové
- Používejte pouze příslušenství, jejichž dovolené otáčky jsou alespoň tak vysoké jako nejvyšší otáčky stroje naprázdno
- Nepoužívejte poškozené ani deformované frérovací hlavy
- Používejte pouze ostré frérovací hlavy
- Chraňte příslušenství před nárazy, otřesy a mastnotou
- S tímto nářadím používejte pouze frérovací hlavy z oceli HSS (vysokovýkonná rychlořezná ocel) nebo HM z tvrdých kovů



## PŘED POUŽITÍM

- Vrtačku nepoužívejte je-li navlhla a nepracujte v blízkosti snadno zápalných nebo výbušných materiálů; před zahájením práce je odstraňte
- Vždy zkontrolujte, zda je napájecí napětí stejné jako napětí uvedené na typovém štítku nástroje (nářadí určené k napájení 230V nebo 240V lze použít též v síti 220V)
- **Nepracovávajte žádný materiál obsahující azbest** (azbest je karcinogenní)
- **Pomocí svorek nebo jiným vhodným způsobem upevněte obráběný díl na stabilní podložku** (pokud jej budete při práci držet v ruce nebo opřený o tělo, bude nestabilní a můžete nad ním ztratit kontrolu)
- Neupínejte nástroj do svěráku
- Používejte zcela rozvinuté a bezpečné prodlužovací šňůry o kapacitě 16 ampér
- Hladina hluku může při práci přesáhnout 85 dB(A); vhodným prostředkem si chraňte uši
- Prach z látek, jako jsou barvy obsahující olovo, některé druhy dřeva, minerály a kovy, může být škodlivý (kontakt s prachem nebo jeho vdechnutí může způsobit alergickou reakci a/nebo vyvolat respirační choroby u obsluhy nebo přihlížejících); **nošte protiprachovou masku a pracujte se zařízením na odsávání prachu, pokud je možné jej připojit**
- Některé druhy prachu jsou klasifikovány jako karcinogenní (například dubový a bukový prach) zejména ve spojení s přísadami pro úpravu dřeva; **nošte protiprachovou masku a pracujte se zařízením na odsávání prachu, pokud je možné jej připojit**
- Dodržujte stanovená nařízení pro práci v prašném prostředí
- Přesvědčete se, zda je nástroj při zapojování do zásuvky vypnutý

## BĚHEM POUŽITÍ

- **Držte elektronářadí na izolovaných uchopovacích plochách, protože nůž se může dotknout vlastního kabelu** (kontakt s vodičem "pod proudem" způsobí přenos proudu do neizolovaných částí nástroje a přivodí uživateli úraz)
- Šňůru udržujte vždy mimo dosah pohyblivých částí nástroje; šňůru nasměrujte dozadu, pryč od nástroje
- Pila se nesmí používat, je-li její přírodní šňůra poškozená nebo nefunguje základové desce R ② (= ochranný kryt); nechte si je kvalifikovaným pracovníkem vyměnit
- Ruce a prsty nesmějí při zapnutí nářadí přijít do blízkosti frézovací hlavy
- Při práci nefrézujte hlouběji, než je výška břitu nástroje
- V případě atypického chování nebo cizích hluků ihned vypněte nářadí a vytáhněte zástrčku
- Pokud dojde k zablokování frézovací hlavy, které se projeví trhavými pohyby nástroje, ihned nástroj vypněte
- V případě přerušení proudu nebo při náhodném vytazení ze zásuvky ihned dejte, okamžitě nástroj vypněte, aby se přístroj náhodou samovolně opět nespustil
- Nevytvíjejte na nástroj takový tlak, při kterém by došlo k jeho zastavení

## PO POUŽITÍ

- Po skončení práce, uvolněte páčku H ②, veďte nářadí zpět do výchozí polohy a vypněte jej

## OBSLUHA

- Nasazení/sejmutí frézovací hlavy ④
  - ! **vypněte nářadí a odpojte zástrčku**
  - ! **dbejte na to, aby byl břit frézy vždy čistý**
  - ! **dbejte na to, aby byly vždy použity do kleštiny frézy (6 mm, 8 mm) s odpovídajícím průměrem dřívku**
    - obraťte nářadí vzhůru nohama
    - pomocí aretace A zablokujte hřídel (upínací matici B případně trochu pootočte) a aretaci držte stlačenou
- PRO NASAZENÍ:
  - upínacím klíčem C uvolněte upínací matici B
  - frézovací hlavu nasadte 3/4 do kleštiny
  - upínací matici pevně utáhněte upínacím klíčem C
- PRO SEJMUTÍ:
  - upínacím klíčem C uvolněte upínací matici B
  - frézovací hlavu vyjměte
  - uvolněte aretace A hřídele
  - ! **pevně držící frézovací hlavu je možno uvolnit nárazem upínacího klíče na upínací matici ⑤**
  - ! **upínací matici nikdy neutahujte, není-li frézovací hlava v kleštině; kleština by se mohla poškodit**
- Výměna kleštiny
  - ! **vypněte nářadí a odpojte zástrčku**
  - ! **dbejte na to, aby hřídel kleštiny byl vždy naprosto čistý**
    - uvolněte upínací matici B o 2 až 3 otočky
    - klepněte na upínací matici B upínacím klíčem C
    - vyšroubujte upínací matici B a kleštinu (zablokujte hřídel)
    - obraťte nářadí vzhůru nohama
    - na hřídel kleštiny vložte novou kleštinu
    - nasadte upínací matici B (zablokujte hřídel)
  - ! **upínací matici nikdy neutahujte, není-li frézovací hlava v kleštině; kleština by se mohla poškodit**
- Nastavení hloubky frézování ⑥
  - ! **vypněte nářadí a odpojte zástrčku**
    - zajistěte, aby malá latka v hloubkoměru D vycínala přibližně o 3 mm (použijte točítko pro jemné seřízení E) ⑥a
    - otočte hlavici F tak, aby její nejvyšší polohy zapadla přímo pod hloubkoměr D (kvůli nulování) ⑥b
    - povolte šroub G tak, aby hloubkoměr D dopadl na zarážecí hlavici F ⑥b
    - umístěte nářadí na obrobek
    - uvolněte zajišťovací páčku H ⑥c
    - nářadí stiskněte dolů, až e fréza dotkne obrobku ⑥d
    - utáhněte zajišťovací páčku H ⑥e
    - hloubka frézování je nyní nastavena na 0 mm (povšimněte si hodnoty na hloubkoměru)
    - zdvihněte hloubkoměr D o tolik mm, kolik je požadovaná hloubka frézování, a utáhněte šroub G ⑥f
    - uvolněte zajišťovací páčku H a zdvihujte nástroj zpět vzhůru
    - pomocí točítka pro jemné nastavení E proveďte přesnější nastavení hloubky frézování (0–10 mm)
    - se zarážecí hlavici F lze hloubku frézování zvětšit o 5 resp. o 10 mm
  - ! **po výměně frézovacích bitů nastavte znovu hloubku frézování**

- Kontrola rychlosti ⑦  
K optimálnímu frézování různých materiálů  
- ovladačem J (i při běžícím nástroji) si zvolte vhodnou frézovací rychlost  
- vhodnou rychlost frézování najdete v tabulce ⑧  
- před zahájením práce si optimální rychlost vyzkoušejte na kousku odpadu  
**! po delším provozu při nízké rychlosti nechte nástroj vychladnout tím, že jej necháte běžet při vysoké rychlosti přibližně 3 minuty bez zatížení**
- Odsávání prachu ⑨  
- odsávací hadice nasazená na adaptér K  
**! hadice vysavače nikdy nesmí překážet při frézování**
- Použití nástroje ⑩  
- nastavit hloubku frézování  
**! držte nářadí vždy pevně oběma rukama**  
**! při práci vždy držte nástroj v šedě zabarvené oblasti rukojeti**  
- umístěte nářadí na obrobek  
- zapněte nářadí stisknutím vypínače L  
- zajistěte spinač pro nepřetržité použití stisknutím tlačítka M  
**! dřívě než přiložíte frézovací hlavu na obrobek, musí přístroj dosáhnout nejvyšších otáček**  
- uvolněte zajišťovací páčku H a pomalu tlačte nástroj směrem dolů, dokud hloubkoměr D nedosáhne na zarážecí hlavici F  
- utáhněte zajišťovací páčku H  
- proveďte daný frézovací proces plynule  
- při vedení nářadí přidržete základní desku naplocho na obráběném předmětu  
- nářadí je třeba při práci "táhnout", nikoli tlačit  
- dalším stisknutím vypínače L se knoflík uvolní  
- po skončení práce, uvolněte páčku H a ved'te nářadí zpět do výchozí polohy
- Seřízení polohy rukojeti ⑪  
- odjistěte obě rukojeti tak, že posunete zarážky N do vnější polohy; zarážky držte a otočte rukojeti do požadované polohy  
- uvolněte obě zarážky N, dokud nezapadnou do pevné polohy (4 možné polohy)
- Správné vedení při různých řezech  
- dbejte na to, aby směr otáčení frézovací hlavy byl vždy shodný s pohybem hodinových ručiček  
- ved'te nářadí tak, aby frézovací hlava směřovala do obrobku a nikoli od něho
- Montáž redukční desky P (při práci podle jedné předlohy) ⑬
- Montáž ochranný rám Q ⑭  
- tyčky V zasunout do upevňovacích otvorů na základové desce R  
- rozevřete ochranný rám na potřebnou šířku a zajistěte jej 2 knoflíky W
- Jak použít ochranný rám jako kruhové vodítko ⑮  
**! nejprve ochranný rám otočte**  
- podle obrázku utáhněte kolík X s křídlatou maticí Y  
- do podkladní desky R vložte tyčky V  
- zapíchněte kolík X do vyznačeného středu kruhového oblouku  
- upevněte ochranný rám 2 knoflíky W  
- posunujte nástroj stejnoměrně kolem obrobku

- Jak použít ochranný rám s kruhovým nárazníkem Z ⑯  
- podle obrázku připevněte kruhový nárazník Z (s upevněným vodícím válečkem)  
- posunujte nástroj po okraji obrobku mírným bočním tlakem

## NÁVOD K POUŽITÍ

- Pro řezy rovnoběžné s okrajem obrobku použijte boční doraz
- Při rovnoběžných řezech na obrobku daleko od okraje ⑩  
- na obrobek upevněte dvěma upínacími svorkami masivní kus dřeva  
- horní frézu ved'te plochou stranou základní desky podél okraje kusu dřeva, který teď slouží jako boční doraz
- Při práci s vedoucí cívku je nutné vést cívku na vnější straně obrobku, která musí být co nejlhádší ⑰
- Pro hlubší frézování je doporučeno provést několik opakujících s řezů

## ÚDRŽBA / SERVIS

- Tento nástroj není určen k profesionálnímu použití
- Nástroj a přívodní šňůru udržujte čisté (zejména větrací štěrbinu S ②)
- Kluznice T ② pravidelně promazávat
- Pokud dojde i přes pečlivou výrobu a náročné kontroly k poruše nástroje, světe provedení opravy autorizovanému servisnímu středisku pro elektronářadí firmy SKIL  
- zašlete nástroj **nerozebraný** spolu s potvrzením o nákupu své prodejně nebo nejbližšímu servisu značky SKIL (adresy a servisní schema nástroje najdete na [www.skil.com](http://www.skil.com))

## ŽIVOTNÍ PROSTŘEDÍ

- **Elektrické nářadí, doplňky a balení nevyhazujte do komunálního odpadu** (jen pro státy EU)  
- podle evropské směrnice 2012/19/EG o nakládání s použitými elektrickými a elektronickými zařízeními a odpovídajících ustanovení právních předpisů jednotlivých zemí se použítá elektrická nářadí, musí sbírat odděleně od ostatního odpadu a podrobit ekologicky šetrnému recyklování  
- symbol ⑮ na to upozorňuje

## PROHLÁŠENÍ O SHODĚ CE

- Prohlašujeme v plné naší zodpovědnosti, že v odstavci "Technická data" popsany výrobek je v souladu s následujícími normami nebo normativními dokumenty: EN 60745, EN 61000, EN 55014, podle ustanovení směrnic 2004/108/ES, 2006/42/ES, 2011/65/EU, 2009/125/ES (EU předpis 1194/2012)

- **Technická dokumentace u:** SKIL Europe BV (PT-SEU/ENG1), 4825 BD Breda, NL

Marijn van der Hoofden  
Operations & Engineering

Olaf Dijkgraaf  
Approval Manager

SKIL Europe BV, 4825 BD Breda, NL

05.09.2014

## HLUČNOSTI/VIBRACÍ

- Měřeno podle EN 60745 číni tlak hlukové vlny tohoto přístroje 84 dB(A) a dávka hlučnosti 95 dB(A) (standardní odchylka: 3 dB), a vibrací 4,4 m/s<sup>2</sup> (metoda ruka-paže; nepřesnost K = 1,5 m/s<sup>2</sup>)
- Úroveň vibrací byla měřena v souladu se standardizovaným testem podle EN 60745; je možné ji použít ke srovnání jednoho přístroje s druhým a jako předběžné posouzení vystavování se vibracím při používání přístroje k uvedeným aplikacím
  - používání přístroje k jiným aplikacím nebo s jiným či špatně udržovaným příslušenstvím může zásadně **zvýšit** úroveň vystavení se vibracím
  - doba, kdy je přístroj vypnutý nebo kdy běží, ale ve skutečnosti není využíván, může zásadně **snížit** úroveň vystavení se vibracím
- ! **chráňte se před následky vibrací tak, že budete dbát na udržbu přístroje a příslušenství, budete si udržovat teplé ruce a uspořádáte si své pracovní postupy**

TR

Freze

1840

## GİRİS

- Bu alet, tahta, plastik ve hafif yapı malzemelerindeki oluk açma, kenar çekme, profil çekme, boyuna delik frezeleme ve šablon kopyalama için geliştirilmiştir
- Bu alet profesyonel kullanıma yönelik değildir
- Bu aletin işiği çalışma alanını doğrudan aydınlatmak için tasarlanmış olup, konutlardaki mekan aydınlatmasına uygun değildir
- Bu kullanma kılavuzunu okuyun ve saklayın ③

## TEKNİK VERİLER ①

### ALET BİLEŞENLERİ ②

- A Mil kilitmeyi
- B Halka somunu
- C Anahtar
- D Derinlik ayarı
- E İnce ayar düğmesi
- F Revolver derinlik mesnedini
- G Ayarlama düğmesi (derinlik ayarı)
- H Kilit kol
- J Hız seçimi tekerleği
- K Elektrikli süpürge yuvası

- L Açma/kapama şalteri
- M Anahtar kilitleme düğmesi
- N Ayarlama düğmesi (tutamak)
- O LED-ışıklar
- P Adaptör plakası
- Q Yan dayamak
- R Taban plakası
- S Havalandırma yuvası
- T Hareketli çubuklar
- V Yan destek çubukları
- W Hassas kesim aparatını ayarlama düğmesi
- X Yan destek pimi
- Y Yan destek kelebek somunu
- Z Kavis tamponu

## GÜVENLİK

### GENEL GÜVENLİK TALIMATI

**⚠ DİKKAT! Bütün uyarıları ve talimat hükümlerini okuyun.** Açıklanan uyarılara ve talimat hükümlerine uyulmadığı takdirde elektrik çarpmalarına, yangınlara ve/veya ağır yaralanmalara neden olunabilir. **Bütün uyarıları ve talimat hükümlerini ileride kullanmak üzere saklayın.** Uyarı ve talimat hükümlerinde kullanılan "elektrikli el aleti" kavramı, akım şebekesine bağlı (şebeke bağlantı kablosu ile) aletlerle akü ile çalışan aletleri (akım şebekesine bağlantısı olmayan aletler) kapsamaktadır.

### 1) ÇALIŞMA YERİ GÜVENLİĞİ

- a) **Çalıştığınız yeri temiz ve düzenli tutun.** İşyerindeki düzensizlik veya yetersiz aydınlatma kazalara neden olabilir.
- b) **Yanıcı sıvıların, gazların veya tozların bulunduğu patlama tehlikesi olan yer ve mekânlarda aletinizle çalışmayın.** Elektrikli el aletleri, toz veya buharların tutuşmasına veya yanmasına neden olan kıvılcımlar çıkarırlar.
- c) **Elektrikli el aletinizle çalışırken çocukları ve başkalarını çalışma alanınızın uzağında tutun.** Yakınızdaki bulunan kişiler dikkatinizi dağıtabilir ve bu da alet üzerindeki kontrolünüzü kaybetmenize neden olabilir.

### 2) ELEKTRİKSEL GÜVENLİK

- a) **Aletinizi bağlantı fişi prize uymalıdır. Fişi hiçbir şekilde değiştirmeyin. Koruyucu topraklamalı aletlerle adaptörlü fiş kullanmayın.** Değiştirilmemiş, orijinal fiş ve uygun prizler elektrik çarpma tehlikesini azaltır.
- b) **Borular, kalorifer tesisatı, ısıtıcılar ve buzdolapları gibi topraklanmış yüzeylerle bedensel temasa gelmekten kaçınınız.** Eğer bedeniniz topraklanacak olursa yüksek bir elektrik çarpma tehlikesi ortaya çıkar.
- c) **Aletinizi yağmur ve nemden koruyun.** Elektrikli el aletinin içine suyun sızması elektrik çarpma tehlikesini yükseltir.
- d) **Kabloyu kendi amacı dışında kullanmayın; örneğin aleti kablodan tutarak taşımayın, aleti kablo ile asmayın veya kablodan çıkarak fişi prizden çıkarmayın. Kabloyu aşırı sıcaktan, yağlardan, keskin kenarlı cisimlerden veya aletin hareketli parçalarından uzak tutun.** Hasarlı veya dolaşmış kablo elektrik çarpma tehlikesini yükseltir.

e) **Elektrikli el aletinizle açık havada çalışırken mutlaka açık havada kullanılmaya müsadeleli uzatma kablosu kullanın.** Açık havada kullanılmaya uygun ve müsadeleli uzatma kablosunun kullanılması elektrik çarpmaya tehlikesini azaltır.

f) **Elektrikli el aletinin nemli ortamlarda çalıştırılması şartsa, mutlaka toprak kaçağı devre kesicisi kullanın.** Toprak kaçağı devre kesicisi kullanımı elektrik çarpmaya tehlikesini azaltır.

### 3) KİŞİLERİN GÜVENLİĞİ

a) **Dikkatli olun, ne yaptığınıza dikkat edin ve elektrikli el aletinizle çalışırken makul hareket edin.** Yorgunsanız, hap, ilaç veya alkol almışsanız aletinizi kullanmayın. Aletinizi kullanırken bir anlık dikkatsizliğiniz ciddi yaralanmalara yol açabilir.

b) **Daima kişisel korunma donanımları ve bir koruyucu gözlük kullanın.** Elektrikli el aletinin türü ve kullanımına uygun olarak kullanacağınız toz maskesi, kaymayan sağlam iş ayakkabıları, koruyucu kask veya koruyucu kulaklık gibi kişisel korunma donanımlarını kullanmanız yaralanma tehlikesini büyük ölçüde azaltır.

c) **Aleti yanlışlıkla çalıştırmaktan kaçının. Akım ikmal şebekesine ve/veya aküye bağlamadan, elinize alıp taşımadan önce elektrikli el aletinin kapalı durumda olduğundan emin olun.** Elektrikli el aletini parmağınız şalter üzerinde dururken taşırsanız ve alet açıkken fişi prize sokarsanız kazalara neden olabilirsiniz.

d) **Aleti çalıştırmadan önce ayar aletlerini veya tornavidaları aletten uzaklaştırın.** Dönen alet parçasına temas halinde bulunan bir uç veya anahtar yaralanmalara neden olabilir.

e) **Kendinize çok fazla güvenmeyin. Duruşunuzun güvenli olmasına dikkat edin ve daima dengeyi koruyun.** Bu sayede aletinizi beklenmedik durumlarda daha iyi kontrol edersiniz.

f) **Uygun iş giysileri giyin. Çalışırken çok bol giysiler giymeyin ve takı takmayın. Saçlarınızı, giysilerinizi ve eldivenlerinizi aletin hareketli parçalarından uzak tutun.** Bol giysiler, takılar veya uzun saçlar aletin hareketli parçaları tarafından tutulabilir.

g) **Aletinize toz emme donanımı ve toz tutma donanımı takılabiliyorsa, bunların bağlı olup olmadığını ve doğru işlev görüp görmediklerini kontrol edin.** Toz emme donanımının kullanımı tozdan kaynaklanabilecek tehlikeleri azaltır.

### 4) ELEKTRİKLİ EL ALETLERİYLE DİKKATLİ ÇALIŞMAK VE ALETİ DOĞRU KULLANMAK

a) **Aletinizi aşırı ölçüde zorlamayın. İşinize uygun elektrikli el aletini kullanın.** Uygun elektrikli el aleti ile belirtilen performans alanında daha iyi ve daha güvenli çalışırsınız.

b) **Açma/kapama şalteri arızalı olan elektrikli el aletini kullanmayın.** Açılıp kapanamayan bir elektrikli el aleti tehlikelidir ve onarılması gerekir.

c) **Alette bir ayarlama işlemine başlamadan ve/veya aküyü çıkarmadan önce, herhangi bir aksesuarı değiştirirken veya aleti elinizden bırakırken fişi prizden çekin.** Bu önlem, aletin kontrolünüz dışında ve istenmeden çalışmasını önler.

d) **Kullanım dışında iken elektrikli el aletinizi çocukların ulaşamayacağı bir yerde saklayın. Aleti kullanmayı bilmeyen veya bu güvenlik talimatını okumayan**

**kişilerin aleti kullanmasına izin vermeyin.** Deneyimsiz kişiler tarafından kullanıldıkları takdirde elektrikli el aletleri tehlikeli olabilirler.

e) **Aletinizin bakımını özenle yapın. Aletin hareketli parçalarının kusursuz işlev görüp görmediklerini ve sıkışmadıklarını, parçaların kırık veya hasarlı olup olmadıklarını kontrol edin, aksi takdirde alet işlevini tam olarak yerine getiremez. Aletinizi kullanmadan önce hasarlı parçaları onartın.** Birçok iş kazası aletlerin kötü ve yetersiz bakımından kaynaklanır.

f) **Kesici uçları keskin ve temiz tutun.** İyi bakım görmüş kesici uçlar daha ender sıkıştırlar ve daha iyi yönlendirilirler.

g) **Elektrikli el aletlerini, aksesuarı, uçları ve benzerlerini bu güvenlik talimatına uygun olarak kullanın. Aletinizi kullanırken çalışma koşullarını ve yaptığınızı işi daima dikkate alın.** Elektrikli el aletlerini kendileri için öngörülen işlerin dışında kullanmak tehlikeli durumların ortaya çıkmasına neden olabilir.

### 5) SERVİS

a) **Aletinizi sadece uzman bir elemana ve orijinal yedek parçaları kullanılarak onartın.** Böylelikle aletin güvenliğini korumuş olursunuz.

### GÜVENLİK TALİMATI FREZE İÇİN

#### GENEL

- Bu alet 16 yaşının altındaki kişiler tarafından kullanılmamalıdır
- **İstedığınız ayar değişikliklerini ve aksesuar değişikliklerini yapmadan önce mutlaka şebeke fişini prizden çekin**

#### AKSESUARLAR

- SKIL sadece orijinal aksesuarlar kullanıldığında aletin düzgün çalışmasını garanti eder
- Bu aletle kullanacağınız aksesuar edilen devir sayısı en azından aletin boşta en yüksek devir sayısı kadar olmalıdır
- Hasarlı veya şekli bozulmuş freze başı kullanmayın
- Sadece keskin freze başı kullanın
- Aksesuarları çarpmalardan darbelerden ve yağlı ortamlardan koruyun
- Bu aletle yüksek kaliteli çelikten (HSS) yapılmış veya sert metal plakette freze başı kullanın

#### KULLANMADAN ÖNCE

- İş parçasının vida, çivi ve benzeri malzeme tarafından hasar görmemesi için dikkatli olun; çalışmaya başlamadan önce bunları çıkartın
- Güç geriliminin, aletin özellik plakasında belirtilen voltaj değeriyle aynı olduğunu sık sık kontrol edin (230V veya 240V aletler 220V kaynağa bağlanabilir)
- **Bu alette asbest içeren malzemeleri işlemeyin** (asbest kanserojen bir madde kabul edilir)
- **İş parçasını iyice sabitlemek ve desteklemek için mengine kullanın veya diğer pratik yollara başvurun** (iş parçasını elde tutmak veya vücuda dayamak sabit olmamasına ve kontrol kaybına neden olabilir)
- Aleti mengeneyle sıkı tutmayın
- Tamamen kusursuz ve güvenli 16 Amp uzatma kabloları kullanın
- Cihaz çalışırken gürültü seviyesi 85 dB(A) desibele kadar çikabilir; kulak koruyucu kullanınız

- Kurşun içeren boya, bazı ahşap türleri, mineral ve metal gibi malzemelerden çıkan toz zararlı olabilir (tozla temasta bulunulması veya solunması operatörde veya yakında bulunan kişilerde alerjik reaksiyonlara ve/veya solunum yolu hastalıklarına neden olabilir); **toz maskesi takın ve toz ekstraksiyon cihazıyla çalışın (bağlanabiliyorsa)**
- Bazı toz tipleri (örneğin meşe ve kayın ağacı tozu), bilhassa ahşap yenileme katkı maddeleriyle birlikte, karsinojenik olarak sınıflandırılır; **toz maskesi takın ve toz ekstraksiyon cihazı ile çalışın (bağlanabiliyorsa)**
- Çalışmak istediğiniz malzemelerin, toz ile ilgili ulusal taleplerini takip ediniz
- Fişe takarken aletin kapalı olduğundan emin olun

#### KULLANIM SIRASINDA

- **Kesici kendi kablosuna temas edebileceği için elektrikli aleti izolasyonlu tutamaklarından tutun** (akım ileten elektrik kablosunun kesilmesi aletin metal parçalarının da elektrik akımına maruz kalmasına ve kullanan kişiyi elektrik çarpmasına neden olabilir)
- Kabloyu her zaman aletin hareketli parçalarından uzak tutun; kabloyu arka tarafta araçtan uzakta bulundurun
- Cihazı kablo ve taban levhasının R ② (= koruyucu muhafaza) hasarlıyken kullanmayın, yetkili kişi tarafından değiştirilmesini sağlayın
- Alet açılırken eller ve parmaklar freze başının yakınında olmamalıdır
- Kesme işlemi sırasında hiçbir zaman freze başının maksimum freze derinliğini aşmayın
- Elektriksel veya mekaniksel hatalı çalışma durumunda aleti hemen kapatın ve fişi çekin
- Freze başı durup araçta titreme olduğunda aracı hemen kapatın
- Akım kesilmesi sırasında veya fişin yanlışlıkla yerinden çıkması durumunda, kontrolsüz tekrar çalışmasını önlemek üzere aleti hemen kapatın
- Cihazın hareketsiz kalmasına neden olacak kadar basınç uygulamayın

#### KULLANIMDAN SONRA

- İşiniz bittikten sonra, kolu H ② gevşetin, gevşetmek suretiyle aleti üst başlangıç konumuna getirin ve kapatın

#### KULLANIM

- Freze başlarının takılması/sökülmesi ④  
! **aleti kapatın ve fişi prizden çekin**  
! **freze başı milinin tam olarak temiz olmasına dikkat edin**  
! **bütün freze başlarının ve gericilerin birbirine (6 mm, 8 mm) uyumlu olmasına dikkat edin**
- aleti baş aşağı çevirin
- mil kilitleme düğmesine A basarak mili kilitleyin (eğer gerekiyorsa germe somununu B biraz çevirin) ve düğmeyi basılı tutarak:

##### TAKMAKİÇİN:

- germe anahtarı C ile germe somununu B gevşetin
- freze başını 3/4 uç gericiye yerleştirin
- germe somununu germe anahtarı C ile sıkın

##### ÇIKARMAK İÇİN:

- germe anahtarı C ile germe somununu B gevşetin
- freze başı çıkarın
- mil kilitlemeyi A gevşetin

- ! **freze başı sıkışmışsa, germe anahtarı ile germe somunu üzerine vurmak suretiyle gevşetilebilir** ⑤
- ! **uç gericide freze başı yokken asla germe somununu sıkmayın; uç gerici hasar görebilir**
- Uç gericinin değiştirilmesi  
! **aleti kapatın ve fişi prizden çekin**  
! **uç gerici milinin tam anlamı ile temiz olmasına dikkat edin**
- germe somununu B 2 veya 3 tur gevşetin
- germe somununun B üzerine germe anahtarı C ile vurun
- germe somununu B ve gericiyi çıkarın (mili kilitleyin)
- aleti baş aşağı çevirin
- gerici miline yeni gerici takın
- germe somununu B takın (mili kilitleyin)
- ! **uç gericide freze başı yokken asla germe somununu sıkmayın; uç gerici hasar görebilir**
- Freze derinliğinin ayarlanması ⑥  
! **aleti kapatın ve fişi prizden çekin**
- derinlik ayar D içindeki küçük çubuğun yaklaşık 3 mm uzamasını sağlayın (ince ayar düğmesini kullanın E) ⑥a
- revolver derinlik mesnedini F en üst pozisyonu derinlik ayarın D sağ altındaki yerine oturacak şekilde çevirin (sıfırlama için) ⑥b
- düğmeyi G, derinlik ayar D revolver derinlik mesnedinin F üzerine incek şekilde çevirin ⑥b
- aleti iş parçası üzerine konumlandırın
- kilit kolunu H gevşetin ⑥c
- freze başı iş parçası üstüne yaslanıncaya kadar aleti aşağı bastırın ⑥d
- kilit kolunu H sıkın ⑥e
- freze derinliği şimdi 0 mm'ye ayarlanmıştır (derinlik skalasının gösterdiği değeri okuyun)
- derinlik ayarı D istenen freze derinliğine yükseltin ve düğmeyi G sıkın ⑥f
- kilitleme kolunu H gevşetin ve aleti yeniden geri sürün
- freze derinliğini daha hassas olarak (0-10 mm) ayarlamak için ince ayar düğmesini E kullanın
- revolver derinlik mesnedi F ile freze derinliği sırasıyla 5 veya 10 mm kadar artırılabilir
- ! **freze başlarını değiştirdikten sonra freze derinliğini yeniden ayarlayın**
- Hız kontrolü ⑦  
Değişik malzemelerle frezeden en iyi sonuç almak için  
- freze süratini tekeri J döndürerek seçin (alet çalışırken de)ag\_spdslcwh
- doğru freze süratini tayin etmek için tablo ⑧'dan yararlanın
- çalışmaya başlamadan önce bir deney malzemesi üzerinde optimal hızı kontrol edin
- ! **düşük süratte uzun süre çalıştıktan sonra aleti soğutmak için hiç yük olmadan yüksek süratte yaklaşık 3 dakika çalıştırın**
- Toz emme ⑨  
- üzerine emme elektrik süpürgesinin hortumunu adaptörü K takın  
! **elektrikli süpürge hortumunun frezeleme işlemine engellemesine izin vermeyin**
- Aletin çalıştırılması ⑩  
- freze derinliğini ayarlayın  
! **aleti daima iki elinizle sıkıca tutun**

## ! çalışma esnasında, aleti daima gri renkli bölge(ler)den tutun(uz)

- aleti iş parçası üzerine konumlandırın
- L şalterine basarak aleti çalıştırın
- M düğmesine basarak sürekli kullanım için anahtarı kilitleyin

## ! freze başı iş parçası materyale uygulama yapmadan önce alet en yüksek devir sayısına ulaşmalıdır

- kilitleme kolunu H gevşetin ve derinlik ayar D revolver derinlik mesnedine F ulaşana kadar aleti yavaşça aşağı itin
- kilitleme kolunu H sıkın
- freze işlemini düzenli ve eşit itme/besleme hareketleri ile gerçekleştirin
- aleti kullanırken taban levhasını iş parçası üzerine düz olarak yaslayın
- çalışma sırasında genel olarak alet itilmemeli, "çekilmelidir"
- L şalterine tekrar basıp bırakmak suretiyle şalteri sabit konumdan kurtarın
- işiniz bittikten sonra, kolu H gevşetin suretiyle aleti üst başlangıç konumuna getirin
- Tutamak konumu ayarı (11)
  - hareketli düğmeleri N dış konuma kaydırarak her iki tutamağın kilidini açın ve tutamakları istenen konuma ayarlarken tutun
  - yerlerine oturana kadar her iki düğmeyi N bırakın (4 konum bulunmaktadır)
- Farklı kesme işlemleri için doğru yönlendirme gerekir
  - freze başının dönme yönünün saat hareket yönü ile aynı olmasına dikkat edin
  - dik frezeyi, freze başı iş parçası içinde dönecek biçimde ve iş parçasından çıkmayacak biçimde yönlendirin
- Adaptör plakasının P takılması (belirli bir şablona göre çalışmak üzere) (13)
- Yan dayamağın Q monte edilmesi (14)
  - kılavuz çubukları V taban levhasının R mevcut deliklerinden geçirin
  - yan dayamağı istediğiniz genişliğe kaydırın ve 2 düğme W ile sabitleyin
- Yan dayamağı yuvarlak bir kılavuz şeklinde kullanmak (15)
  - ! önce yan dayamağı ters çevirin
  - gösterildiği şekilde pimi X kelebek somun Y ile tespit edin
  - çubukları V taban levhasına R sokun
  - dairesel arkin işaretli merkezine pimi X deldirin
  - yan dayamağı 2 düğme W ile sabitleyin
  - aleti işlenen parçanın üstünde sabit güçle iterek yönlendirin
- Yan dayamağı kavis tamponu Z ile birlikte kullanmak (16)
  - gösterildiği şekilde kavis tamponunu Z monte edin (kılavuz makara takılı olarak)
  - aleti işlenen parçanın kenarında hafif yan basınçla yönlendirin

## UYGULAMA

- İş parçasının kenarına paralel kesme yapmak için yan dayamağı kullanın
- İş parçasının kenarından uzak paralel kesme işleri için (10)
  - iş parçasının üzerine masif bir tahta parçasını 2 kısıkaçla tespit edin
  - dik frezenin taban levhasının yassı kenarını tahta parçasının kenarı boyunca yönlendirin; bu işlem sırasında tahta parçası yan dayamak olarak işlev görür
- Kılavuz zıvana veya bilyeli rulmanla bitlerde, makara, mümkün olduğu kadar pürüzsüz olması gereken kılavuz zıvanası veya rulmanı iş parçasının dış kenarında yönlendirmelidir (17)
- Büyük freze derinliklerinde arka arkaya birçok kez küçük talaş kaldırma suretiyle çalışmada yarar vardır

## BAKIM / SERVİS

- Bu alet profesyonel kullanımına yönelik değildir
- Aleti ve kabloğunu daima temiz tutun (özellikle havalandırma yuvalarını S (2))
- Hareketli çubuklar T (2)'yi sık sık yağlayın
- Dikkatli biçimde yürütülen üretim ve test yöntemlerine rağmen aleti arıza yapacak olursa, onarım SKIL elektrikli aletleri için yetkili bir serviste yapılmalıdır
  - aleti ambalajıyla birlikte satın alma belgenizde ekleyerek satıcınıza veya en yakın SKIL servisine ulaştırın (adresler ve aletin servis şemaları www.skil.com adresinde listelenmiştir)

## ÇEVRE

- Elektrikli aletlerini, aksesuarları ve ambalajları evdeki çöp kutusuna atmayınız (sadece AB ülkeleri için)
  - kullanılmış elektrikli aletleri, elektrik ve elektrikli eski cihazlar hakkındaki 2012/19/EC Avrupa yönergelerine göre ve bu yönergeler ulusal hukuk kurallarına göre uyarlanarak, ayrı olarak toplanmalı ve çevre şartlarına uygun bir şekilde tekrar değerlendirilmeye gönderilmelidir
  - sembol (18) size bunu anımsatmalıdır

## UYGUNLUK BEYANI CE

- Tek sorumlu olarak "Teknik veriler" bölümünde tanımlanan ürünün aşağıdaki norm veya normatif belgelere uygunluğunu beyan ederiz: EN 60745, EN 61000, EN 55014, yönetmeliği hükümleri uyarınca 2004/108/EG, 2006/42/EG, 2011/65/EU, 2009/125/EG (EU düzenleme 1194/2012)
- Teknik belgelerin bulunduğu merkez: SKIL Europe BV (PT-SEU/ENG1), 4825 BD Breda, NL

Marijn van der Hoofden  
Operations & Engineering

Olaf Dijkgraaf  
Approval Manager

SKIL Europe BV, 4825 BD Breda, NL

05.09.2014

## GÜRÜLTÜ/TİTREŞİM

- Ölçülen EN 60745 göre ses basınci bu makinanın seviyesi 84 dB(A) ve çalışma sırasındaki gürültü 95 dB(A) (standart sapma: 3 dB), ve titreşim 4,4 m/s<sup>2</sup> (el-kol metodu; tolerans K = 1,5 m/s<sup>2</sup>)
  - Titreşim emisyon seviyesi EN 60745'te sunulan standart teste göre ölçülmüştür; bu seviye, bir aleti bir başkasıyla karşılaştırmak amacıyla ve aletin söz konusu konusu uygulamalarda kullanılması sırasında titreşime maruz kalma derecesinin ön değerlendirmesi olarak kullanılabilir
    - aletin farklı uygulamalar için veya farklı ya da bakımı yetersiz yapılmış aksesuarlarla kullanılması; maruz kalma seviyesini belirgin biçimde **arttırabilir**
    - aletin kapalı olduğu veya çalıştığı ancak gerçek anlamda iş yapmadığı zamanlarda, maruz kalma seviyesi belirgin biçimde **azalabilir**
- !** **aletin ve aksesuarlarının bakımını yaparak, ellerinizi sıcak tutarak ve iş modellerinizi düzenleyerek kendinizi titreşimin etkilerinden koruyun**

PL

Frezarka

1840

## WSTĘP

- Narzędzie jest przeznaczone do nacinania, frezowania rowków, krawędzi, profili i otworów w drewnie, plastiku i innych lekkich materiałach budowlanych
- Narzędzie nie jest przeznaczone do zastosowań profesjonalnych
- Światło elektronarzędzia przeznaczone jest do oświetlania bezpośredniej przestrzeni roboczej elektronarzędzia; nie nadaje się ono do oświetlania pomieszczeń w gospodarstwie domowym
- Przeczytać i zachować niniejszą instrukcję obsługi ③

## DANE TECHNICZNE ①

## ELEMENTY NARZĘDZIA ②

- A Wrzeciona wciskając blokadę
- B Nakrętka tulei
- C Klucz
- D Ogranicznik głębokości wiercenia
- E Pokrętko dokładnej regulacji
- F Głowica rewolwerowa
- G Pokrętko regulacyjne (ogranicznik głębokości wiercenia)
- H Dźwignia mocujący
- J Pokrętko do regulacji prędkości
- K Króciec do węża odkurzacza
- L Włazcznik/wyłazcznik
- M Przycisk blokady włazcznika
- N Pokrętko regulacyjne (uchwył)
- O Lampki LED
- P Płyta adaptera
- Q Prowadnica równoległa
- R Płyta podstawy
- S Szczeliny wentylacyjne
- T Pręty ślizgowe
- V Pręty prowadnicy równoległej

- W Pokrętko regulacji prowadnicy równoległej
- X Sworzeń prowadnicy równoległej
- Y Nakrętka motylkowa prowadnicy równoległej
- Z Bufor krzywizny

## BEZPIECZEŃSTWO

### OGÓLNE PRZEPISY BEZPIECZEŃSTWA

**!** **UWAGA! Należy przeczytać wszystkie wskazówki i przepisy.** Błędy w przestrzeganiu poniższych wskazówek mogą spowodować porażenie prądem, pożar i/lub ciężkie obrażenia ciała. **Należy starannie przechowywać wszystkie przepisy i wskazówki bezpieczeństwa dla dalszego zastosowania.** Użyte w poniższym tekście pojęcie "elektronarzędzie" odnosi się do elektronarzędzi zasilanych energią elektryczną z sieci (z przewodem zasilającym) i do elektronarzędzi zasilanych akumulatorami (bez przewodu zasilającego).

### 1) BEZPIECZEŃSTWO MIEJSCA PRACY

- a) **Miejsce pracy należy utrzymywać w czystości i dobrze oświetlone.** Nieporządek lub nie oświetlone miejsce pracy mogą doprowadzić do wypadków.
- b) **Nie należy pracować tym narzędziem w otoczeniu zagrożonym wybuchem, w którym znajdują się np. łatwopalne ciecze, gazy lub pyły.** Elektronarzędzia wytwarzają iskry, które mogą podpalić ten pył lub pary.
- c) **Elektronarzędzie trzymać podczas pracy z daleka od dzieci i innych osób.** Przy nieuwadze można stracić kontrolę nad narzędziem.

### 2) BEZPIECZEŃSTWO ELEKTRYCZNE

- a) **Wtyczka urządzenia musi pasować do gniazda. Nie wolno modyfikować wtyczki w jakikolwiek sposób. Nie należy używać wtyczek adapterowych razem z uziemionymi narzędziami.** Niezmienione wtyczki i pasujące gniazda zmniejszają ryzyko porażenia prądem.
- b) **Należy unikać kontaktu z uziemionymi powierzchniami jak rury, grzejniki, piece i lodówki.** Istnieje zwiększone ryzyko porażenia prądem, gdy Państwa ciało jest uziemione.
- c) **Urządzenie należy przechowywać zabezpieczone przed deszczem i wilgocią.** Wniknięcie wody do elektronarzędzia podwyższa ryzyko porażenia prądem.
- d) **Nigdy nie należy używać kabla do innych czynności. Nigdy nie używać kabla do noszenia urządzenia za kabel, zawieszenia lub do wyciągania wtyczki z gniazda. Kabel należy trzymać z daleka od wysokich temperatur, oleju, ostrych krawędzi lub ruchomych części urządzenia.** Uszkodzone lub poplątane kable zwiększają ryzyko porażenia prądem.
- e) **W przypadku, kiedy elektronarzędziem pracuje się na świeżym powietrzu należy używać kabla przedłużającego, który dopuszczony jest do używania na zewnątrz.** Użycie dopuszczonego do używania na zewnątrz kabla przedłużającego zmniejsza ryzyko porażenia prądem.
- f) **Jeżeli nie da się uniknąć zastosowania elektronarzędzia w wilgotnym otoczeniu, należy użyć wyłącznika ochronnego różnicowo-prądowego.** Zastosowanie wyłącznika ochronnego różnicowo-prądowego zmniejsza ryzyko porażenia prądem.

### 3) BEZPIECZEŃSTWO OSÓB

- a) **Należy być uważnym, uważać na to co się robi i pracę elektronarzędziem rozpoczynać z rozsądkiem. Nie należy używać urządzenia gdy jest się zmęczonym lub pod wpływem narkotyków, alkoholu lub lekarstw.** Moment nieuwagi przy użyciu urządzenia może doprowadzić do poważnych urażeń ciała.
- b) **Należy nosić osobiste wyposażenie ochronne i zawsze okulary ochronne.** Noszenie osobistego wyposażenia ochronnego jak maska przeciwpyłowa, nie ślizgające się buty robocze, hełm ochronny lub ochrona słuchu, w zależności od rodzaju i zastosowania elektronarzędzia zmniejsza ryzyko obrażeń ciała.
- c) **Należy unikać niezamierzonego uruchomienia narzędzia. Przed włożeniem wtyczki do gniazdka i/lub podłączeniem do akumulatora, a także przed podniesieniem lub przeniesieniem elektronarzędzia, należy upewnić się, że elektronarzędzie jest wyłączone.** Trzymanie palca na wyłączniku podczas przenoszenia elektronarzędzia lub podłączenie do prądu włączonego narzędzia, może stać się przyczyną wypadków.
- d) **Zanim urządzenie zostanie włączone należy usunąć narzędzia nastawcze lub klucze.** Narzędzie lub klucz, które znajdują się w ruchomych częściach urządzenia mogą doprowadzić do obrażeń ciała.
- e) **Nie należy przeceniać swoich możliwości. Należy dbać o bezpieczną pozycję pracy i zawsze utrzymywać równowagę.** Przez to możliwa jest lepsza kontrola urządzenia w nieprzewidzianych sytuacjach.
- f) **Należy nosić odpowiednie ubranie. Nie należy nosić luźnego ubrania lub biżuterii. Włosy, ubranie i rękawice należy trzymać z daleka od ruchomych elementów.** Luźne ubranie, biżuteria lub długie włosy mogą zostać pociągnięte przez poruszające się części.
- g) **W przypadku, kiedy możliwe jest zamontowanie urządzeń odsysających lub podchwytyjących należy upewnić się, czy są one właściwie podłączone i prawidłowo użyte.** Użycie urządzenia odsysającego pył może zmniejszyć zagrożenie pyłami.

### 4) UWAGNE OBCOWANIE ORAZ UŻYCIĘ ELEKTRONARZĘDZIA

- a) **Nie należy przeciążać urządzenia. Do pracy używać należy elektronarzędzia, które jest do tego przewidziane.** Odpowiednim narzędziem pracuje się lepiej i bezpieczniej w podanym zakresie sprawności.
- b) **Nie należy używać elektronarzędzia, którego włącznik/wyłącznik jest uszkodzony.** Elektronarzędzie, którego nie można włączyć lub wyłączyć jest niebezpieczne i musi zostać naprawione.
- c) **Przed regulacją urządzenia, wymianą osprzętu lub po zaprzestaniu pracy narzędziem, należy wyciągnąć wtyczkę z gniazda i/lub usunąć akumulator.** Ten środek ostrożności zapobiega niezamierzonemu włączeniu się urządzenia.
- d) **Nie używane elektronarzędzia należy przechowywać poza zasięgiem dzieci. Nie należy udostępniać narzędzia osobom, które jego nie umieją lub nie przeczytały tych przepisów.** Używane przez niedoświadczone osoby elektronarzędzia są niebezpieczne.

- e) **Urządzenie należy starannie konserwować. Należy kontrolować, czy ruchome części urządzenia funkcjonują bez zarzutu i nie są zablokowane, czy części nie są pęknięte lub uszkodzone, co mogłoby mieć wpływ na prawidłowe funkcjonowanie urządzenia. Uszkodzone narzędzie należy przed użyciem urządzenia oddać do naprawy.** Wiele wypadków spowodowanych jest przez niewłaściwą konserwację elektronarzędzi.
- f) **Osprzęt tnący należy utrzymywać ostry i czysty.** Starannie pielęgnowany osprzęt tnący z ostrymi krawędziami tnącymi blokuje się rzadziej i łatwiej się używa.
- g) **Elektronarzędzia, osprzęt, narzędzia itd. należy używać odpowiednio do tych przepisów. Uwzględnić należy przy tym warunki pracy i czynność do wykonania.** Użycie elektronarzędzi do innych niż przewidziane prace może doprowadzić do niebezpiecznych sytuacji.
- ### 5) SERWIS
- a) **Naprawę urządzenia należy zlecić jedynie kwalifikowanemu fachowcowi i przy użyciu oryginalnych części zamiennych.** To gwarantuje, że bezpieczeństwo użytkowania zostanie zachowane.

### PRZEPISY BEZPIECZEŃSTWA FREZARKEK

#### OGÓLNE

- Narzędzie nie powinny używać dzieci poniżej 16 roku życia
- Przed przystąpieniem do wykonywania jakichkolwiek czynności przy narzędziu, w czasie przerw w pracy jak również po jej zakończeniu wyjąć wtyczkę z gniazda sieciowego**

#### AKCESORIA

- SKIL może zagwarantować bezawaryjne działanie narzędzia tylko przy korzystaniu z oryginalnego wyposażenia dodatkowego
- Używać tylko akcesoriów, których dopuszczalna prędkość obrotowa jest co najmniej tak wysoka jak najwyższa prędkość obrotowa urządzenia na biegu bez obciążenia
- Nie należy stosować frezów, które są uszkodzone lub zniekształcone
- Używać tylko ostrych frezów
- Akcesoria należy chronić przed uderzeniami, wstrząsami i smarem
- Używać tylko frezów ze stali szybko tnącej (HSS) lub węglików spiekanych (CT)

#### PRZED UŻYCIEM

- Uwaga na gwoździe, śruby i inne twarde przedmioty; przed przystąpieniem do obróbki powinny być usunięte z obrabianego przedmiotu; usunąć je przed rozpoczęciem pracy
- Każdorazowo należy sprawdzać, czy napięcie zasilania jest zgodne z napięciem podanym na tabliczce znamionowej urządzenia (narzędzia na napięcie znamionowe 230V lub 240V zasilac można także napięciem 220V)
- Nie należy obrabiać materiału zawierającego azbest (azbest jest rakotwórczy)**



- **Używać kleszczy lub innych narzędzi do zabezpieczenia i podparcia obrabianego materiału do stabilnej powierzchni** (trzymanie części w ręku lub opieranie jej o ciało może prowadzić do utraty kontroli)
- Nie należy zaciskać narzędzia w imadle
- W przypadku korzystania z kabla przedłużającego należy zwrócić uwagę, aby był maksymalnie nawinięty na bęben oraz był przystosowany do przewodzenia prądu o natężeniu przynajmniej 16 A
- Poziom hałasu podczas pracy może przekraczać 85 dB(A); używać nauszniki do ochrony słuchu
- Pył pochodzący z takich materiałów, jak farby zawierające ołów, niektóre gatunki drzewa, minerały i metal może być szkodliwy (kontakt z nim lub wdychanie takiego pyłu może powodować reakcje alergiczne i/lub niewydolność oddechową u operatora lub osób towarzyszących); **należy zakładać maskę przeciwpyłową i pracować z urządzeniem odsysającym, jeżeli można je podłączyć**
- Niektóre rodzaje pyłu są zaklasyfikowane jako rakotwórcze (takie, jak pył dębu i buka) szczególnie w połączeniu z dodatkami do kondycjonowania drewna; **należy zakładać maskę przeciwpyłową i pracować z urządzeniem odsysającym pył, jeżeli można je podłączyć**
- Należy stosować się do lokalnych wymogów dotyczących pracy w otoczeniu pyłu powstającego podczas obróbki materiału
- Przed podłączeniem do prądu należy się upewnić, że narzędzie jest wyłączone

#### PODCZAS UŻYWANIA

- **Elektronarzędzie należy dotykać jedynie przy izolowanych powierzchniach uchwytu, ponieważ przecinak może dotknąć własnego przewodu** (przecięcie przewodów pod napięciem może spowodować pojawienie się napięcia na metalowych elementach narzędzia i porażenie operatora prądem)
- Kabel zasilający powinien stale znajdować się w bezpiecznej odległości od wirującej części elektronarzędzia; kabel zasilający zawsze prowadzić z tyłu elektronarzędzia
- Nie wolno nigdy używać narzędzia z uszkodzonym przewodem zasilającym lub podstawą R ② (= osłona ochronna); ich naprawę należy powierzyć odpowiednio kwalifikowanej osobie
- Nie zbliżać palców ani dłoni do frezu kiedy narzędzie jest włączone
- Nigdy nie przekraczać maksymalnej głębokości frezowania frezu podczas pracy
- W przypadku wadliwego działnia mechanicznych lub elektrycznych elementów urządzenia, należy bezzwocznie odłączyć narzędzie i wyjąć wtyczkę
- W przypadku zablokowania frezów, czego efektem jest szarpanie podczas pracy, należy natychmiast wyłączyć narzędzie
- W przypadku przerwy w zasilaniu na przykład w skutek nieumyślnego wyciągnięcia wtyczki, należy natychmiast wyłączyć narzędzie, dla zapobieżenia jej samoczynnemu włączeniu się
- Nie należy naciskać na przrząd z nią powodującą unieruchomienie narzędzia

#### PO UŻYCIU

- Po skończeniu pracy, odkręcić dźwignię H ②, ustawić narzędzie w położenie uchwytem zaciskowym do góry i wyłączyć

#### UŻYTKOWANIE

- Mocowanie/wyjmowanie freza ④
  - ! **wyłącz narzędzie i wyciągnij wtyczkę z gniazdka**
  - ! **upewnij się, że frez jest czysty**
  - ! **upewnij się czy średnica chwytu frezu oraz średnica tulejki (6 mm, 8 mm) zaciskowej są takie same**
  - odwrócić narzędzie do góry nogami
  - zablokować ruch wrzeciona wciskając blokadę A (poluzować zacisk B, jeżeli konieczne) podczas wymiany osprzętu
- MOCOWANIE:
  - obluźować zacisk B używając klucza C
  - wprowadzić 3/4 chwytu frezu do tulejki
  - zacisnąć zacisk mocno używając klucza C
- WYJMOWANIE:
  - obluźować zacisk B używając klucza C
  - wyjąć frez
  - zwolnić wrzeciono wciskając blokadę A
  - ! **do obluźowania frezu może być niezbędne opukanie tulei zaciskowej przy pomocy klucza ⑤**
  - ! **nigdy nie dociskać zaciska jeżeli nie ma zainstalowanego frezu; może to spowodować uszkodzenie tulei**
- Wymiana tulejki
  - ! **wyłącz narzędzie i wyciągnij wtyczkę z gniazdka**
  - ! **upewnij się, że uchwyt zaciskowy jest czysty**
  - poluzuj zacisk B o 2 lub 3 obroty
  - postukaj w zacisk B kluczem C
  - zdejmij zacisk B i tuleję (zablokowane wrzeciono)
  - odwrócić narzędzie do góry nogami
  - załóż nową tuleję do wrzeciona tulei
  - wkręć zacisk B (zablokowane wrzeciono)
  - ! **nigdy nie dociskać zaciska jeżeli nie ma zainstalowanego frezu; może to spowodować uszkodzenie tulei**
- Ustawienie głębokości frezowania ⑥
  - ! **wyłącz narzędzie i wyciągnij wtyczkę z gniazdka**
  - upewnij się, że mały pręt we wskaźniku głębokości D jest wysunięty na długość ok. 3 mm (używając pokrętki dokładnej regulacji E) ⑥a
  - obróć głowicę F aż do zatrzasknięcia jej najwyższej położonego elementu na miejscu, tuż pod wskaźnikiem głębokości D (do wyzerowania) ⑥b
  - poluzuj pokrętkę G na tyle, aby wskaźnik głębokości D osiadł na głowicy rewolwerowej F ⑥b
  - ustawić narzędzie na obrabianym przedmiocie
  - poluzuj dźwignię blokującą H ⑥c
  - opuścić narzędzie do dołu do zetknięcia się freza z powierzchnią obrabianego przedmiotu ⑥d
  - dokręć dźwignię blokującą H ⑥e
  - głębokość frezowania jest teraz ustawiona na 0 mm (zanotuj wartość wskazania na skali głębokości)
  - unieś wskaźnik głębokości D zgodnie z wymaganą głębokością frezowania i dokręć pokrętkę G ⑥f
  - poluzuj dźwignię blokującą H i przesuń narzędzie ponownie w górę

- za pomocą pokrętki dokładnej regulacji E ustaw bardziej precyzyjnie głębokość frezowania (0–10 mm)
- za pomocą głowicy rewolwerowej F można zwiększyć głębokość frezowania odpowiednio o 5 mm lub 10 mm
- ! **po wymianie frezów należy ponownie ustawić głębokość frezowania**
- Kontrola prędkości ⑦
  - Dla zapewnienia optymalnych wyników frezowania różnych materiałów:
    - ustaw prędkość obrotową pokrętkiem J (również podczas pracy frezarki)
    - korzystaj z tabeli ⑧ do określenia prawidłowej prędkości obrotowej
    - przed przystąpieniem do pracy ustal optymalną prędkość, wypróbuj ją na kawałku zbędnego materiału
  - ! **po dłuższych okresach pracy na niskich prędkościach, odczekaj na ochłodzenie się frezarki, zezwalając na jej przebieg przez okres około 3 minut, z wysoką prędkością i bez obciążenia**
- Odsysanie pyłu ⑨
  - wąż odkurzacza przyłączyć do króćca K
  - ! **należy zwrócić uwagę, aby wąż odkurzacza nigdy nie utrudniał operacji frezowania**
- Obsługa narzędzia ⑩
  - ustawić głębokości frezowania
  - ! **elektronarzędzie trzymać zawsze oburącz podczas pracy zawsze trzymać narzędzie za uchwyt(y) ograniczone szarym kolorem**
  - ustawić narzędzie na obrabianym przedmiocie
  - elektronarzędzie włączane jest poprzez wciśnięcie włącznika/wyłącznika L
  - aby kontynuować pracę, zablokować przetącznik naciśnięciem przycisku M
  - ! **przed przystąpieniem do obróbki materiału elektronarzędzie powinno rozwinąć swoją maksymalną prędkość obrotową**
  - poluzuj dźwignię blokującą H i powoli popchnij narzędzie w dół, tak aby wskaźnik głębokości D zetknął się z głowicą rewolwerową F
  - dokręć dźwignię blokującą H
  - frezowanie wykonywać ze prędkością
  - płyta prowadząca frezarki powinna stale przylegać do powierzchni obrabianego przedmiotu
  - wykonując frezowanie elektronarzędzie należy ciągnąć do siebie a nie pchać w kierunku od siebie
  - zwalnianie blokady następuje poprzez ponowne wciśnięcie i zwolnienie włącznika/wyłącznika L
  - po skończeniu pracy, odkręć dźwignię H i ustaw narzędzie w położenie uchwytem zaciskowym do góry
- Regulacja ustawienia uchwytu ⑪
  - odblokuj oba uchwyty, przesuwając pokrętki N do położenia zewnętrznego, przytrzymaj je i obróć uchwyty do wymaganego położenia
  - zwolnij oba pokrętki N, tak aby zatrzasnęły się na swoim miejscu (możliwe są 4 położenia)
- Prawidłowy kierunek frezowania dla różnych przypadków zastosowania
  - frez wiruje w kierunku zgodnym z kierunkiem wskazówek zegara

- frezować tak aby frez był wprowadzany w materiał, a nie materiał nakładany na frez
- Mocowanie płyty dopasowującej P (do obróbki według wzorca) ⑬
- Mocowanie prowadnicy równoległej Q ⑭
  - wprowadzić szyny prowadzące V w otwory na płycie podstawy R frezarki
  - przesunąć prowadnicę piły na wymaganą szerokość i zamocuj ją 2 pokrętkami W
- Korzystając z prowadnicy piły w charakterze prowadnicy okrężnej ⑮
  - ! **na wstępie odwróć prowadnicę piły**
  - zamocuj kołek X nakrętką skrzydełkową Y, w sposób pokazany na rysunku
  - włóż pręty V w płytę podstawową R
  - wbij kołek X w zaznaczony środek łuku koła
  - dociśnij prowadnicę piły tarczowej 2 pokrętkami W
  - prowadź narzędzie ze stałą prędkością, w poprzek ciętego materiału
- Używając prowadnicy z buforem krzywizny Z ⑯
  - zamocuj bufor krzywizny Z (z zamocowaną rolką prowadzącą) w sposób przedstawiony na rysunku
  - prowadź narzędzie wzdłuż krawędzi ciętego materiału, wywierając lekki nacisk boczny

## WSKAZÓWKI UŻYTKOWANIA


- Przy wykonywaniu frezowania równoległego wzdłuż krawędzi stosować prowadnicę równoległą
- Przy wykonywaniu frezowania równoległego z dużą od krawędzi ⑩
  - przy pomocy 2 zacisków zamocować na powierzchni obrabianego przedmiotu dodatkową listwę
  - frezarkę prowadzić płaską stroną płyty podstawy wzdłuż krawędzi zamocowanej listwy, która służy teraz jako prowadnica równoległa
- Przy frezowaniu z prowadzeniem powierzchniowym powierzchnia powinna być odpowiednio gładka ⑰
- Przy wykonywaniu frezowania do dużych głębokości zaleca się stopniowe zwiększanie głębokości

## KONSERWACJA / SERWIS

- Narzędzie nie jest przeznaczone do zastosowań profesjonalnych
- Zawsze dbać o czystość narzędzia i przewodu zasilającego (a szczególnie otworów wentylacyjnych S ②)
- Należy od czasu do czasu smarować pręty ślizgowe T ②
- Jeśli narzędzie, mimo dokładnej i wszechstronnej kontroli produkcyjnej ulegnie kiedykolwiek awarii, naprawę powinien przeprowadzić autoryzowany serwis elektronarzędzi firmy SKIL
  - odesłać **nierozebrany** narzędzie, wraz z dowodem zakupu, do dealera lub do najbliższego punktu usługowego SKIL (adresy oraz diagram serwisowy narzędzenia znajdują się na stronach [www.skil.com](http://www.skil.com))

## ŚRODOWISKO

- **Nie wyrzucaj elektronarzędzi, akcesoriów i opakowania wraz z odpadami z gospodarstwa domowego** (dotyczy tylko państw UE)

- zgodnie z Europejską Dyrektywą 2012/19/WE w sprawie zużytego sprzętu elektrotechnicznego i elektronicznego oraz dostosowaniem jej do prawa krajowego, zużyte elektronarzędzia należy posegregować i zutylizować w sposób przyjazny dla środowiska
- w przypadku potrzeby pozbycia się narzędzia, akcesoriów i opakowania - symbol  przypomni Ci o tym

## ДЕКЛАРАЦИЯ ЗГODНОСТИ CE

- Oświadczamy z pełną odpowiedzialnością, że produkt, przedstawiony w "Dane techniczne", odpowiada wymaganiom następujących norm i dokumentów normatywnych: EN 60745, EN 61000, EN 55014, zgodnie z wymaganiami dyrektyw 2004/108/EU, 2006/42/EU, 2011/65/UE, 2009/125/EU (UE regulacja 1194/2012)
- **Dokumentacja techniczna:** SKIL Europe BV (PT-SEU/ENG1), 4825 BD Breda, NL

Marijn van der Hoofden  
Operations & Engineering

Olaf Dijkgraaf  
Approval Manager




SKIL Europe BV, 4825 BD Breda, NL

05.09.2014

## HAŁASU/WIBRACJE

- Pomiarów dokonano zgodnie z normą EN 60745 ciśnienie akustyczne narzędzia wynosi 84 dB(A) zaś poziom mocy akustycznej 95 dB(A) (poziom odchylenie: 3 dB), zaś vibracje 4,4 m/s<sup>2</sup> (metoda dłoń-ręka; błąd pomiaru K = 1,5 m/s<sup>2</sup>)
  - Poziom emisji vibracji został zmierzony zgodnie z testem standaryzowanym podanym w EN 60745; może służyć do porównania jednego narzędzia z innym i jako ocena wstępna narażenia na vibracje w trakcie używania narzędzia do wymienionych zadań
    - używanie narzędzia do innych zadań, lub z innymi albo źle utrzymanymi akcesoriami, może znacząco **zwiększyć** poziom narażenia
    - przypadki, kiedy narzędzie jest wyłączone lub jest czynne, ale aktualnie nie wykonuje zadania, mogą znacząco **zmniejszyć** poziom narażenia
- ! należy chronić się przed skutkami vibracji przez konserwację narzędzia i jego akcesoriów, zakładanie rękawic i właściwą organizację pracy**


RU

Фрезер

1840

## ВВЕДЕНИЕ

- Инструмент предназначен для выпиливания канавок, кромок, профилей и удлиненных отверстий в дереве, пластмассе и лёгких строительных материалах, а также для копировальной фрезеровки

- Данный инструмент не подходит для промышленного использования
- Лампочка на электроинструменте предназначена для под-светки непосредственной зоны работы, она не пригодна для освещения помещения в доме
- Прочитайте и сохраните с данной инструкцией 


## ТЕХНИЧЕСКИЕ ДАННЫЕ ①

### ДЕТАЛИ ИНСТРУМЕНТА ②

- A Замок вала
- B Гайка цанги
- C Ключ
- D Регулятор глубины
- E Ручка точной регулировки
- F Головка контроля глубины
- G Ручка регулировки (регулятор глубины)
- H Фиксирующее рычаг
- J Колёсико для регулирования скорости
- K Удлинитель для пылесоса
- L Выключатель вкл/выкл
- M Кнопка для запирания выключателя
- N Ручка регулировки (ручка)
- O Световые индикаторы
- P Переходная пластина
- Q Продольная направляющая линейка
- R Основание
- S Вентиляционные отверстия
- T Скользящие стержни
- V Стержни направляющей планки
- W Головка для регулировки направляющей планки
- X Фиксатор направляющей планки
- Y Барашковая гайка направляющей планки
- Z Криволинейный буфер

## БЕЗОПАСНОСТЬ

### ОСНОВНЫЕ ИНСТРУКЦИИ ПО ТЕХНИКЕ БЕЗОПАСНОСТИ

 **ВНИМАНИЕ!** Прочтите все указания и инструкции по технике безопасности. Упущения, допущенные при соблюдении указаний и инструкций по технике безопасности, могут стать причиной электрического поражения, пожара и тяжелых травм. **Сохраняйте эти инструкции и указания для будущего использования.** Исползованное в настоящих инструкциях и указаниях понятие "электроинструмент" распространяется на электроинструмент с питанием от сети (с кабелем питания от электросети) и на аккумуляторный электроинструмент (без кабеля питания от электросети).

#### 1) БЕЗОПАСНОСТЬ РАБОЧЕГО МЕСТА

- a) **Соблюдайте чистоту и поддерживайте надлежащую освещенность на рабочем месте.** Беспорядок на рабочем месте или его плохое освещение могут привести к несчастным случаям.
- b) **Не используйте с электроинструментом во взрывоопасной среде, т.е. в непосредственной близости от легковоспламеняющихся**

- жидкостей, газов или пыли.** В процессе работы электроинструмент искрит и искры могут воспламенить газы или пыль.
- c) **При работе с электроинструментом не допускайте детей или посторонних на Ваше рабочее место.** Отвлечение Вашего внимания может привести к потере контроля над работой инструмента.
- 2) ЭЛЕКТРИЧЕСКАЯ БЕЗОПАСНОСТЬ**
- a) **Штепсельная вилка кабеля питания электроинструмента должна соответствовать розетке электросети. Не вносите никаких изменений в конструкцию вилки. Не используйте адаптеры для электроинструмента с защитным заземлением.** Заводские штепсельные вилки и соответствующие им сетевые розетки существенно снижают вероятность электрошока.
- b) **Избегайте механических контактов с такими заземленными поверхностями, как трубопроводы, системы отопления, плиты и холодильники.** При соприкосновении человека с заземленными предметами во время работы инструментом вероятность электрошока существенно возрастает.
- c) **Оберегайте электроинструмент от воздействия дождя и влаги.** Попадание воды в электроинструмент повышает вероятность электрического удара.
- d) **Используйте кабель строго по назначению. Не допускается тянуть и передвигать электроинструмент за кабель или использовать кабель для вытягивания вилки из розетки.** Оберегайте кабель инструмента от воздействия высоких температур, масла, острых кромок или движущихся частей электроинструмента. Поврежденный или спутанный кабель повышает возможность электрического удара.
- e) **При работе на улице используйте удлинитель, предназначенный для работы вне помещения.** Использование такого удлинителя снижает вероятность электрического удара.
- f) **Если невозможно избежать применения электроинструмента в сыром помещении, то устанавливайте устройство защиты от утечки в землю.** Использование устройства защиты от утечки в землю снижает риск электрического поражения.
- 3) ЛИЧНАЯ БЕЗОПАСНОСТЬ**
- a) **Будьте внимательны, следите за тем, что Вы делаете и выполняйте работу обдуманно. Не пользуйтесь электроинструментом, если Вы устали или находитесь под воздействием транквилизаторов, алкоголя или медицинских препаратов.** Секундная потеря концентрации в работе с электроинструментом может привести к серьезным травмам.
- b) **Используйте средства индивидуальной защиты. Защитные очки обязательны.** Средства индивидуальной защиты, такие как противопылевой респиратор, нескользящая защитная обувь, шлем-каска, средства защиты органов слуха применяются в соответствующих условиях работы обстоятельствах и минимизируют возможность получения травм.
- c) **Предотвращайте непреднамеренное включение электроинструмента. Перед подключением электроинструмента к электропитанию и/или к аккумулятору убедитесь в выключенном состоянии электроинструмента.** Если Вы при транспортировке электроинструмента держите палец на выключателе или включенный электроинструмент подключаете к сети питания, то это может привести к несчастному случаю.
- d) **Во избежание травм перед включением инструмента удалите регулировочный или гаечный ключ из вращающейся части инструмента.**
- e) **Не переоценивайте свои возможности. Твердо стойте на ногах и удерживайте равновесие.** В таком положении вы сможете лучше контролировать инструмент в неожиданных ситуациях.
- f) **Используйте подходящую рабочую одежду. Не надевайте свободную одежду и украшения. Волосы, одежда и перчатки должны находиться подальше от движущихся частей электроинструмента.** Свободная одежда, украшения или длинные волосы легко могут попасть в движущиеся части электроинструмента.
- g) **При наличии пылеотсасывающих и пылесборных приспособлений убедитесь в том, что они подсоединены и используются надлежащим образом.** Применение пылеотсоса может снизить опасности, создаваемые пылью.
- 4) ЭКСПЛУАТАЦИЯ И УХОД ЗА ЭЛЕКТРОИНСТРУМЕНТОМ**
- a) **Не перегружайте инструмент. Используйте тот инструмент, который предназначен для данной работы.** С подходящим инструментом Вы выполните работу лучше и надежней, используя весь диапазон его возможностей.
- b) **Не используйте инструмент с неисправным выключателем.** Инструмент с неисправным выключателем опасен и подлежит ремонту.
- c) **До начала наладки электроинструмента, замены принадлежностей или прекращения работы отключайте штепсельную вилку от розетки сети и/или выньте аккумулятор.** Данная мера предосторожности предотвращает случайное включение инструмента.
- d) **Храните неиспользуемый электроинструмент в недоступном для детей месте и не позволяйте использовать его лицам, не умеющим с ним обращаться или не ознакомленным с инструкцией по эксплуатации.** Электроинструменты представляют собой опасность в руках неопытных пользователей.
- e) **Электроинструмент требует надлежащего ухода. Проверьте безупречность функции подвижных частей, лёгкость их хода, целостность всех частей и отсутствие повреждений, которые могут негативно сказаться на работе инструмента. При обнаружении повреждений сдайте инструмент в ремонт.** Большое число несчастных случаев связано с неудовлетворительным уходом за электроинструментом.

- f) **Режущие части инструмента необходимо поддерживать в заточенном и чистом состоянии.** При надлежащем уходе за режущими принадлежностями с острыми кромками они реже заклиниваются и инструмент лучше поддается контролю.
- g) **Используйте электроинструмент, принадлежности, биты и т.д. в соответствии с данными инструкциями, исходя из особенностей условий и характера выполняемой работы.** Использование электроинструмента не по назначению может привести к опасным последствиям.

## 5) СЕРВИСНОЕ ОБСЛУЖИВАНИЕ

- a) **Передавайте инструмент на сервисное обслуживание только квалифицированному персоналу, использующему только подлинные запасные части.** Это обеспечит сохранение безопасности электроинструмента.

## УКАЗАНИЯ ПО БЕЗОПАСНОСТИ ДЛЯ ФРЕЗЕРА

### ОБЩЕЕ

- Инструмент нельзя использовать лицам в возрасте до 16 лет
- **Перед регулировкой или сменой принадлежностей обязательно выньте вилку из сетевой розетки**

### НАСАДКИ

- SKIL обеспечивает надёжную работу инструмента только при использовании соответствующих приспособлений
- Использовать только принадлежности, предельно допустимая скорость вращения которых не меньше, чем максимальная скорость вращения прибора на холостом ходу
- Не используйте повреждённые или деформированные фрезы
- Используйте только острые фрезы
- Предохраняйте насадки от воздействия ударных нагрузок и попадания на них смазки
- Используйте этот инструмент только со стальными фрезами для высокой скорости (HSS) или твёрдосплавными фрезами (СТ)

### ПЕРЕД ИСПОЛЬЗОВАНИЕМ

- Избегайте повреждений, которые могут быть вызваны винтами, гвоздями и прочими элементами, находящимися в обрабатываемом предмете; перед началом работы их нужно удалить
- Обязательно убедитесь, что напряжение питания соответствует напряжению, указанному на фирменном штепселе инструмента (инструменты, рассчитанные на напряжение 230 В или 240 В, можно подключать к питанию 220 В)
- **Не обрабатывайте материалы с содержанием асбеста** (асбест считается канцерогеном)
- **Используйте струбцины или другой удобный способ для крепления изделия к прочной платформе и его поддержки** (если держать изделие в руках или прижимать к телу, оно будет недостаточно зафиксировано, что может привести к потере контроля)
- Не зажимайте инструмент в тисках

- Используйте полностью размотанные и безопасные удлинители, рассчитанные на ток не менее 16 А
- Поскольку уровень шума при работе данного инструмента может превышать 80 dB(A); всегда используйте защиту для ушей
- Пыль от таких материалов, как свинцовосодержащая краска, некоторые породы дерева, минералы и металл, может быть вредна (контакт с такой пылью или ее вдыхание может стать причиной возникновения у оператора или находящихся рядом лиц аллергических реакций и/или респираторных заболеваний); **надевайте респиратор и работайте с пылеудаляющим устройством при включении инструмента**
- Некоторые виды пыли классифицируются как канцерогенные (например, дубовая или буковая пыль), особенно в сочетании с добавками для кондиционирования древесины; **надевайте респиратор и работайте с пылеудаляющим устройством при включении инструмента**
- Следуйте принятым в вашей стране требованиям/ нормативам относительно пыли для тех материалов, с которыми вы собираетесь работать
- Убедитесь в том, что инструмент выключен перед подключением его к розетке

### ВО ВРЕМЯ ИСПОЛЬЗОВАНИЯ

- **Держите электроинструмент за изолированные поверхности рукояткой, т.н. режущий инструмент может соприкоснуться со шнуром** (перерезание провода под напряжением может вызвать подачу напряжения на открытые металлические части электроинструмента и привести к поражению оператора)
- Следите за тем, чтобы сетевой шнур не находился рядом с движущимися деталями инструмента; нужно всегда направлять электрический шнур к задней части инструмента, исключая его захват инструментом
- Никогда не пользуйтесь инструментом, если провод или базовая плита R ② (= защитная пластина) повреждена; обеспечьте их замену специалистом
- Держите руки в стороне от фрезы, когда инструмент включён
- Никогда при работе не режьте на глубину больше максимальной для фрезы
- В случае любой электрической или механической неисправности немедленно выключите инструмент и выньте вилку из розетки
- Если фрезу заело, и инструмент работает толчками, немедленно выключите его
- При прерывании питания или при случайном вытягивании вилки из разъёма немедленно, для предотвращения непреднамеренного пуска немедленно выключите инструмент
- Не прилагайте на инструмент чрезмерного усилия, которое может вызвать его заклинивание

### ПОСЛЕ ИСПОЛЬЗОВАНИЯ

- После окончания работы отпустите рычаг H ②, установите инструмент в верхнее начальное положение и выключите

## ИСПОЛЬЗОВАНИЕ

- Установка/снятие фрезы ④
  - !** выключите инструмент и отсоедините сетевой шнур
  - !** гарантируйте полную чистоту фрезы
  - !** гарантируйте соответс размера патрона (6 мм, 8 мм) ивала фрезы
  - переверните инструмент вверх дном
  - закройте вал, нажав на замок вала А (поверните гайку патрона В, если нужно) и держите его, пока Вы
- ДЛЯ УСТАНОВКИ:
  - ослабляете гайку патрона В ключом С
  - вставляете фрезу 3/4 в патрон
  - затягиваете гайку патрона ключом С
- ДЛЯ СНЯТИЯ:
  - ослабляете гайку патрона В ключом С
  - удалите фрезу
  - ослабляете замок вала А
  - !** для ослабления фрезы может потребоваться постучать по гайке патрона ключом ⑤
  - !** никогда не затягивайте гайку патрона, если в нём нет фрезы; в противном случае Вы можете повредить патрон
- Замена патрона
  - !** выключите инструмент и отсоедините сетевой шнур
  - !** гарантируйте полную чистоту вала патрона
  - ослабьте гайку патрона В, повернув на 2 или 3 оборота
  - постучите по гайке патрона В ключом С
  - удалите гайку патрона В и патрон (закройте вал)
  - переверните инструмент вверх дном
  - установите новый патрон в вал патрона
  - установите гайку патрона В (закройте вал)
  - !** никогда не затягивайте гайку патрона, если в нём нет фрезы; в противном случае Вы можете повредить патрон
- Регулировка глубины фрезерование ⑥
  - !** выключите инструмент и отсоедините сетевой шнур
  - убедитесь, что маленький стержень в измерителе глубины D выступает приблизительно на 3 мм (воспользуйтесь ручкой точной настройкой E) ⑥a
  - поверните головку F до защелкивания в крайнем верхом положении непосредственно под измерителем глубины D (для установки в ноль) ⑥b
  - отпустите ручку G, чтобы измеритель глубины D опустился на головку ограничителя глубины F ⑥b
  - установите инструмент на изделие
  - отпустите фиксирующий рычаг H ⑥c
  - протолкните инструмент вниз, пока фреза не прикоснётся к поверхности изделия ⑥d
  - затяните фиксирующий рычаг H ⑥e
  - глубина фрезерования теперь установлена на 0 мм (запомните величину на шкале глубины)
  - поднимите измеритель глубины D до нужной глубины фрезерования и затяните ручку G ⑥f
  - отпустите фиксирующий рычаг H и снова проведите инструмент обратно вверх
  - с помощью ручки точной регулировки E установите более точно глубину фрезерования (0–10 мм)

- с помощью головки ограничителя глубины F глубину фрезерования можно увеличивать соответственно на 5 или 10 мм
- !** заменив фрезы, отрегулируйте глубину фрезерования повторно
- Регулятор скорости ⑦
  - Для оптимального результата на разных материалах
  - устанавливайте скорость фрезерования с помощью колеса J (даже при работе инструмента)
  - таблица ⑧ предлагает указания для выбора верной скорости фрезерования
  - перед началом работы определите оптимальную скорость на каком-нибудь обрезке материала
  - !** после продолжительной работы на низкой скорости остудите инструмент, прогнав его на большой скорости в течение 3 минут вхолостую
- Отсасывание пыли ⑨
  - подсоедините пылесос к удлинителю K
  - !** не допускайте, чтобы шланг пылесоса мешал при фрезеровании
- Использование инструмента ⑩
  - отрегулируйте глубину фрезерования
  - !** всегда держите инструмент двумя руками
  - !** во время работы, всегда держите инструмент за места правильного хвата, которые обозначены серым цветом
  - установите инструмент на изделие
  - отключение инструмента производится отпусанием курка выключателя L
  - при длительном использовании заблокируете выключатель, нажав на кнопку M
  - !** инструмент должен работать на полной скорости до того, как фреза коснётся изделия
  - отпустите фиксирующий рычаг H и медленно протолкните инструмент вниз, чтобы измеритель глубины D достиг головки ограничителя глубины F
  - затяните фиксирующий рычаг H
  - осуществляйте фрезирование плавными движениями
  - базовая плита инструмента должна опираться на изделие
  - в основном нужно тянуть инструмент на себя, а не толкать от себя
  - снимите блокировку, нажав снова на курок выключателя L и отпустив его
  - после окончания работы отпустите рычаг H и установите инструмент в верхнее начальное положение
- Регулировка положения рукоятки ⑪
  - разблокируйте обе рукоятки путем вывода ручек N во внешнее положение, и удерживая их, поворачивайте рукоятки одновременно в необходимое положение
  - отпустите обе ручки N, чтобы они защелкнулись (доступны 4 положения)
- Правильная работа
  - помните, что фреза поворачивается по часовой стрелке
  - направляйте инструмент так, чтобы фреза поворачивалась в изделие, а не от него
- Установка плиты адаптера P (для копирования по шаблону) ⑬

- Установка направляющей планки Q (14)
  - установите стержни направляющей планки V в отверстия в базовой плите R
  - установите направляющую планку на нужную глубину и закрепите двумя ручками W
- Используйте направляющую планку как круговую направляющую (15)
  - ! **сначала поверните направляющую планку**
  - закрепите штифт X с помощью барашковой гайки Y, как показано
  - установите стержни V в плиту основания R
  - установите штифт X в отмеченный центр дуги
  - закрепите направляющую планку двумя ручками W
  - плавно продвигайте инструмент по изделию
- Использование направляющей планки с буфером Z (16)
  - установите изогнутый буфер Z (с установленным направляющим роликом), как показано
  - продвигайте инструмент по краю изделия с лёгким боковым нажимом

## СОВЕТЫ ПО ИСПОЛЬЗОВАНИЮ

- Для фрезерования параллельных канавок в боковой стороне изделия используйте направляющую планку
- Для фрезерования параллельных канавок далеко от края изделия (10)
  - закрепите прямой отрезок дерева на изделии с помощью двух зажимов
  - направляйте базовую плиту по краю обрезка, который служит направляющей планкой
- При использовании фрез с контрольным шариковым подшипником этот подшипник должен скользить вдоль кромки изделия, которая должна быть идеально гладкой (17)
- Для более глубокого фрезерования рекомендуется выполнить несколько повторные резаний с низкой степенью среза

## ТЕХОБСЛУЖИВАНИЕ / СЕРВИС

- Данный инструмент не подходит для промышленного использования
- Всегда содержите инструмент и его шнур в чистоте (особенно вентиляционные отверстия S (2))
- Время от времени смазывайте скользящие стержни T (2)
- Если инструмент, несмотря на тщательные методы изготовления и испытания, выйдет из строя, то ремонт следует производить силами авторизованной сервисной мастерской для электроинструментов фирмы SKIL
  - отправьте **неразобранный** инструмент со свидетельством покупки Вашему дилеру или в ближайшую станцию обслуживания фирмы SKIL (адреса и схема обслуживания инструмента приведены в вебсайте [www.skil.com](http://www.skil.com))

## ОХРАНА ОКРУЖАЮЩЕЙ СРЕДЫ

- **Не выкидывайте электроинструмент, принадлежности и упаковку вместе с бытовым мусором** (только для стран ЕС)

- во исполнение европейской директивы 2012/19/ЕС об утилизации отслужившего свой срок электрического и электронного оборудования и в соответствии с действующим законодательством, утилизация электроинструментов производится отдельно от других отходов на предприятиях, соответствующих условиям экологической безопасности
- значок (18) напомнит Вам об этом, когда появится необходимость сдать электроинструмент на утилизацию

## ДЕКЛАРАЦИЯ О СООТВЕТСТВИИ СТАНДАРТАМ СЕ

- С полной ответственностью мы заявляем, что описанный в разделе "Технические данные" продукт соответствует нижеследующим стандартам или нормативным документам: EN 60745, EN 61000, EN 55014 согласно положениям директив 2004/108/EC, 2006/42/EC, 2011/65/EC, 2009/125/EC (ЕС регуляция 1194/2012)
- **Техническая документация у:** SKIL Europe BV (PT-SEU/ENG1), 4825 BD Breda, NL

Marijn van der Hoofden  
Operations & Engineering

Olaf Dijkgraaf  
Approval Manager




SKIL Europe BV, 4825 BD Breda, NL

05.09.2014

- Информация о сертификате соответствия расположена на последней странице настоящей Инструкции
- Сертификаты соответствия хранятся по адресу: ООО "Роберт Бош" ул. Акад. Королёва, 13, стр. 5 Россия, 129515, Москва
- **С января 2014 г.** Вашутинское шоссе, влад. 36 Россия, 141446 г.о. Химки
- **Дата производства** указана на последней странице настоящей инструкции
- Информацию об **импортере** изделия можно найти на упаковке

## ШУМНОСТИ/ВИБРАЦИИ

- При измерении в соответствии со стандартом EN 60745 уровень звукового давления для этого инструмента составляет 84 дБ (А) и уровень звуковой мощности - 95 дБ (А) (стандартное отклонение: 3 дБ), и вибрации - 4,4 м/с<sup>2</sup> (по методу для рук; недоверенность K = 1,5 м/с<sup>2</sup>)
- Уровень вибрации был измерен в соответствии со стандартизированным испытанием, содержащимся в EN 60745; данная характеристика может использоваться для сравнения одного инструмента с другим, а также для предварительной оценки воздействия вибрации при использовании данного инструмента для указанных целей

- при використанні інструмента в інших цілях или с другими/неисправными вспомогательными приспособлениями уровень воздействия вибрации может значительно **повышаться**
  - в периоды, когда инструмент отключен или функционирует без фактического выполнения работы, уровень воздействия вибрации может значительно **снижаться**
- ! защищайте себя от воздействия вибрации, поддерживая инструмент и его вспомогательные приспособления в исправном состоянии, поддерживая руки в тепле, а также правильно организуя свой рабочий процесс**

UA

**Фрезарка**

**1840**

## ВСТУП

- Цей пристрій призначений для фрезерування жолобків, фасок, профілів і продовговатих отворів у дереві, пластику та легких будівельних матеріалів, а також для копіювального фрезерування
- Цей інструмент не придатний для промислового використання
- Лампочка в електроінструменті призначена для підсвітлювання безпосередньої зони роботи, вона не придатна для освітлювання приміщень у будинку
- Прочитайте і збережіть цю Інструкцію з експлуатації ③

## ТЕХНІЧНІ ДАНІ ①

### ЕЛЕМЕНТИ ІНСТРУМЕНТА ②

- A Фіксатор валу
- B Гайка патрона
- C Ключ
- D Обмежувач глибини свердління
- E Ручка точної настройки
- F Головка обмежника глибини
- G Регульовальна ручка (обмежувач глибини свердління)
- H Стопорне важіль
- J Колесо вибору швидкості
- K Подовжувач для пилосося
- L Вимикач живлення
- M Кнопка блокування вимикача
- N Регульовальна ручка (ручка)
- O Світлові індикатори
- P Пластина-перехідник
- Q Направляюча планка
- R Основна панель
- S Вентиляційні отвори
- T Повзуни
- V Штирі напрямної планки
- W Ручка для встановлювання направляючої планки
- X Фіксатор напрямної планки
- Y Баранцева гайка напрямної планки
- Z Фасонний буфер

## БЕЗПЕКА

### ЗАГАЛЬНІ ВКАЗІВКИ З ТЕХНІКИ БЕЗПЕКИ

**⚠ УВАГА! Прочитайте всі попередження і вказівки.** Недодержання попереджень і вказівок може призводити до удару електричним струмом, пожежі та/або серйозних травм. **Добре зберігайте на майбутнє ці попередження і вказівки.** Під поняттям "електроприлад" в цих попередженнях мається на увазі електроприлад, що працює від мережі (з електрокабелем) або від акумуляторної батареї (без електрокабелю).

#### 1) БЕЗПЕКА НА РОБОЧОМУ МІСЦІ

- Примайте своє робоче місце в чистоті та прибирайте його.** Безлад або погане освітлення на робочому місці можуть призводити до нещасних випадків.
- Не працюйте з приладом у середовищі, де існує небезпечна вибуху внаслідок присутності горючих рідин, газів або пилу.** Електроприлади можуть породжувати іскри, від яких може займатися пил або пари.
- Під час працювання з приладом не підпускайте до робочого місця дітей та інших людей.** Ви можете втратити контроль над приладом, якщо Ваша увага буде відвернута.

#### 2) ЕЛЕКТРИЧНА БЕЗПЕКА

- Штепсель приладу повинен пасувати до розетки. Не дозволяється що-небудь міняти в штепселі. Для роботи з приладами, що мають захисне заземлення, не використовуйте адаптери.** Використання оригінального штепселя та належної розетки зменшує ризик удару електричним струмом.
- Уникайте контакту частей тіла із заземленими поверхнями, як напр., трубами, батареями опалення, печами та холодильниками.** Коли Ваше тіло заземлене, існує збільшена небезпека удару електричним струмом.
- Захищайте прилад від дощу та вологи.** Попадання води в електроінструмент збільшує ризик удару електричним струмом.
- Не використовуйте кабель для перенесення приладу, підвішування або витягування штепселя з розетки. Захищайте кабель від жару, олії, гострих країв та деталей приладу, що рухаються.** Пошкоджений або закручений кабель збільшує ризик удару електричним струмом.
- Для зовнішніх робіт обов'язково використовуйте лише такий подовжувач, що допущений для зовнішніх робіт.** Використання подовжувача, що розрахований на зовнішні роботи, зменшує ризик удару електричним струмом.
- Якщо не можна запобігти використанню електроприладу у вологому середовищі, використовуйте пристрій захисту від витоку в землю.** Використання зрострою захисту від витоку в землю зменшує ризик удару електричним струмом.

#### 3) БЕЗПЕКА ЛЮДЕЙ

- Будьте уважними, слідкуйте за тим, що Ви робите, та розсудливо поведіться під час роботи з електроприладом. Не користуйтеся**



- приладом, якщо Ви стомлені або знаходитесь під дією наркотиків, спиртних напоїв або лік. Мить неуважності при користуванні приладом може призводити до серйозних травм.
- b) **Вдягайте особисте захисне спорядження та обов'язково вдягайте захисні окуляри.** Вдягання особистого захисного спорядження, як напр., - в залежності від виду робіт - захисної маски, спецвзуття, що не ковзається, каски або навушників, зменшує ризик травм.
- c) **Уникайте ненавмисного вмикання. Перш ніж вмикати електроприлад в електромережу або встромляти акумуляторну батарею, брати його в руки або переносити, впевніться в тому, що електроприлад вимкнений.** Тримання пальця на вимикачі під час перенесення електроприладу або встромляння в розетку увімкненого приладу може призводити до травм.
- d) **Перед тим, як вмикати прилад, приборіть налагоджувальні інструменти та гайковий ключ.** Знаходження налагоджувального інструмента або ключа в деталі, що обертається, може призводити до травм.
- e) **Не переоцінюйте себе. Зберігайте стійке положення та завжди зберігайте рівновагу.** Це дозволить Вам краще зберігати контроль над приладом у несподіваних ситуаціях.
- f) **Вдягайте придатний одяг. Не вдягайте просторий одяг та прикраси. Не підставляйте волосся, одяг та рукавиці близько до деталей приладу, що рухаються.** Просторий одяга, прикраси та довге волосся можуть попадати в деталі, що рухаються.
- g) **Якщо існує можливість монтувати пиловідсмоктувальні або пилоуловлювальні пристрої, переконайтеся, щоб вони були добре під'єднані та правильно використовувалися.** Використання пиловідсмоктувального пристрою може зменшити небезпеки, зумовлені пилом.
- 4) ПРАВИЛЬНЕ ПОВЕДІННЯ ТА КОРИСТУВАННЯ ЕЛЕКТРОПРИЛАДАМИ**
- a) **Не перевантажуйте прилад. Використовуйте такий прилад, що спеціально призначений для певної роботи.** З придатним приладом Ви з меншим ризиком отримаєте кращі результати роботи, якщо будете працювати в зазначеному діапазоні потужності.
- b) **Не користуйтеся приладом з пошкодженим вимикачем.** Прилад, який не можна увімкнути або відремонтувати.
- c) **Перед тим, як регулювати що-небудь на приладі, міняти приладдя або ховати прилад, витягніть штепсель із розетки та/або витягніть акумуляторну батарею.** Ці попереджувальні заходи з техніки безпеки зменшують ризик ненавмисного запуску приладу.
- d) **Зберігайте електроприлади, якими Ви саме не користуєтесь, далеко від дітей. Не дозволяйте користуватися електроприладом особам, що не знайомі з його роботою або не читали ці вказівки.** У разі застосування недосвідченими особами прилади несуть в собі небезпеку.
- e) **Старанно доглядайте за приладом. Перевірте, щоб рухомі деталі приладу бездоганно працювали та не заїдали, не були поламаними або настільки пошкодженими, щоб це могло вплинути на функціонування приладу.** Пошкоджені деталі треба відремонтувати в авторизованій майстерні, перш ніж ними можна знову користуватися. Велика кількість нещасних випадків спричиняється поганим доглядом за електроприладами.
- f) **Тримайте різальні інструменти добре нагостреними та в чистоті.** Старанно доглянуті різальні інструменти з гострим різальним краєм менше застряють та їх легше вести.
- g) **Використовуйте електроприлади, приладдя до них, робочі інструменти т.і. відповідно до цих вказівок. Беріть до уваги при цьому умови роботи та специфіку виконуваної роботи.** Використання електроприладів для робіт, для яких вони не передбачені, може призводити до небезпечних ситуацій.
- 5) СЕРВІС**
- a) **Відавайте свій прилад на ремонт лише кваліфікованим фахівцям та лише з використанням оригінальних запчастин.** Це забезпечить безпеку приладу на довгий час.

## ПРАВИЛА ТЕХНІКИ БЕЗПЕКИ ДЛЯ ФРЕЗАРОК

### ЗАГАЛЬНЕ

- Цей інструмент не можна використовувати особам віком до 16 років
- **Перед регулюванням або заміною приладдя обов'язково вийміть вилку із сітьової розетки НАСАДКИ**
- SKIL гарантує надійну роботу інструмента тільки при використанні відповідного приладдя
- Використовуйте лише приладдя, припустима швидкість обертання якого як мінімум відповідає найвищій швидкості інструмента без навантаження
- Не користуйтеся деформованими або пошкодженими фрезами
- Використовуйте лише гострі фрези
- Бережіть насадки від ударів, струсів і мастила
- З цим пристроєм використовуйте лише фрези з швидкоріжучої сталі або з твердосплавними наконечниками

### ПЕРЕД ВИКОРИСТАННЯМ

- Не допускайте пошкоджень, які можуть нанести шурупи, цвяхи і інші елементи вашому виробу; видаліть їх перед початком роботи
- Перед роботою перевірте відповідність струму в мережі із струмом, позначені на інструменті (інструменти, розраховані на 230В або 240В, також можуть підключатися до мережі 220В)
- **Не обробляйте матеріали, що містять асбест** (асбест вважається канцерогенним)
- **Застосуйте затисначі або інші засоби фіксації та опори виробу на стабільній платформі** (затискання виробу руками або з притискуванням до тіла робить його нестабільним та може призвести до втрати контролю за інструментом)
- Не затискайте інструмент у тисках

- Використовуйте повністю розгорнений шнур подовжувача, який може витримувати навантаження в 16 Ампер
- Рівень шуму при роботі може перевищувати 85 дБ(а); використовуйте навушники
- Пил від таких матеріалів, як свинцовоутримуюча фарба, деякі породи дерева, мінерали й метал, може бути шкідливим (контакт із таким пилом або його вдихання може стати причиною виникнення в оператора або осіб, що перебувають поруч, алергійних реакцій і/або респіраторних захворювань); **надягайте респіратор і працюйте з пиловидальючим пристроєм під час увімкнення інструмента**
- Деякі види пилу класифікуються як канцерогенні (наприклад, дубовий або буковий пил), особливо в сполученні з добавками для кондиціонування деревини; **надягайте респіратор і працюйте з пиловидальючим пристроєм під час увімкнення інструмента**
- Слідуйте інструкціям по роботі з матеріалами, продуцуючими пил
- Переконайтесь в, тому що інструмент вимкнено, перед тим як підключити його до розетки

#### ПІД ЧАС ВИКОРИСТАННЯ

- **Тримайте електричний інструмент за ізольовані рукоятки, тому що ніж може може зачепити власний шнур живлення** (перерізання дроту під напругою призведе до проходження електричного струму через металеві деталі інструменту та до ураження оператора струмом)
- Не дозволяйте шнуру живлення стикатися з рухомими частинами інструменту; завжди викладайте шнур за задньою частиною інструменту
- Ніколи не користуйтеся пристроєм з пошкодженням шнуром живлення або основою R ② (=захисним огороженням); зверніться до кваліфікованої особи щоб їх замінити
- Не тримайте руки і пальці близько до фрези коли пристрій увімкнуто
- Ніколи не перевищуйте максимальну глибину різання фрези при фрезеруванні
- У разі електричної або механічної несправності, негайно відключите інструмент і вимкніть з розетки
- У випадку блокування фрези, що виявляється різким сипанням пристрою, негайно вимкніть пристрій
- У разі вимкнення струму або випадкового вимання вилки з розетки, негайно вимкніть інструмент, щоб уникнути неконтрольованого вмикання
- Не докладайте на інструмент надмірного зусилля, яке може викликати його заклинювання

#### ПІСЛЯ ВИКОРИСТАННЯ

- Після закінчення роботи, відпустіть важіль H ②, відведіть пристрій назад у верхнє стартове положення і вимкніть його

## ВИКОРИСТАННЯ

- Монтювання і вимання фрез ④  
**! вимкніть інструмент і витягніть вилку з розетки**  
**! упевніться, що хвостовик фрези абсолютно чистий**

**! упевніться, що діаметр цангового патрона (6 мм, 8 мм) відповідає діаметру хвостовика фрези**

- перевіرنить інструмент догори дном
- щоб заблокувати вал, натисніть фіксатор валу А (якщо необхідно, поверніть гайку патрона В) і утримуйте його поки Ви

#### ДЛЯ МОНТУВАННЯ:

- ослабте гайку патрона В за допомогою ключа С
- вставте фрезу на 3/4 у цанговий патрон
- міцно затягніть гайку патрона за допомогою ключа С

#### ДЛЯ ВИЙМАННЯ:

- ослабте гайку патрона В за допомогою ключа С
- вийміть фрезу
- відпустіть фіксатор валу А

**! для ослаблення фрези може виявитися необхідним постукати по гайці патрона ключем ⑤**

**! ніколи не затягуйте гайку патрона якщо у цанговому патроні немає фрези; можна пошкодити патрон**

- Заміна цангового патрона

**! вимкніть інструмент і витягніть вилку з розетки**

**! упевніться, що вал цангового патрона абсолютно чистий**

- ослабте гайку патрона В на 2-3 оберти
- постукайте по гайці патрона В ключем С
- зніміть гайку патрона В і цанговий патрон (заблокуйте вал)
- перевіренить інструмент догори дном
- вставте новий цанговий патрон у вал цанги
- встановіть гайку патрона В (заблокований вал)

**! ніколи не затягуйте гайку патрона якщо у цанговому патроні немає фрези; можна пошкодити патрон**

- Регулювання глибини фрезерування ⑥

**! вимкніть інструмент і витягніть вилку з розетки**

- малий штир у глибиномірі D повинен виступати приблизно на 3 мм (скористайтеся ручною точною настройкою E) ⑥a
- поверніть головку F таким чином, щоб вона встановилася з кляцанням у найвище положення відразу від глибиноміром D (для встановлення на нуль) ⑥b
- ослабте ручку G, щоби глибиномір D опустився на головку обмежувача глибини F ⑥b
- розташуйте інструмент на виробі
- відпустіть стопорний важіль H ⑥c
- натисніть на пристрій вниз так, щоб фреза торкнулася оброблюваної деталі ⑥d
- затягніть стопорний важіль H ⑥e
- глибину фрезерування встановлено на 0 мм (значення вказано на шкалі глибини)
- підніміть глибиномір D на потрібну висоту фрезерування і затягніть ручку G ⑥f
- відпустіть стопорний важіль H і відведіть знову інструмент догори
- за допомогою ручки точної настройки E можна точніше відрегулювати глибину (0–10 мм)

- за допомогою головки обмежувача глибини F глибину фрезерування можна збільшити відповідно на 5 або 10 мм
- ! **після заміни фрези глибину фрезерування слід відрегулювати наново**
- Регулятор швидкості ⑦
  - Для отримання оптимальних результатів фрезерування різних матеріалів
  - вибирайте швидкість фрезерування за допомогою колищати J (також і під час роботи пристрою)
  - використовуйте таблицю ⑧ як довідник для визначення правильної швидкості фрезерування
  - перш ніж почати роботу, знайдіть оптимальну швидкість шляхом випробування на непотрібному матеріалі
  - ! **після довгих періодів роботи на малій швидкості дайте пристроєві охолонути при роботі на високій швидкості без навантаження приблизно 3 хвилини**
- Пиловловлювання ⑨
  - під'єднайте пиლოსос до подовжувача K
  - ! **шланг пиლოსоса не повинен заважати під час фрезерувальних робіт**
- Використання інструменту ⑩
  - відрегулюйте глибину фрезерування
  - ! **завжди міцно тримайте пристрій обома руками**
  - ! **під час роботи, завжди тримайте інструмент за частини захвату сірого кольору**
  - розташуйте інструмент на виробі
  - інструмент вмикається натисканням гачка L
  - при тривалому використанні заблокуйте вимикач, натиснувши кнопку M
  - ! **перш ніж фреза торкнеться деталі, пристрій повинен працювати на повній швидкості**
  - відпустіть стопорний важіль H і повільно опустіть інструмент, щоби глибиномір D торкнувся головки обмежувача глибини F
  - затягніть стопорний важіль H
  - виконайте процес фрезерування з рівномірною подачею пристрою
  - використовуйте пристрій таким чином, щоб його основа пласко прилягала до деталі
  - як правило, потрібно тягнути пристрій на себе, а не штовхати його
  - розблокувати вимикач, знову потягнувши за гачок L і відпустивши його
  - після закінчення роботи, відпустіть важіль H і відведіть пристрій назад у верхнє стартове положення
- Налаштування положення рукоятки ⑪
  - розблокуйте обидві рукоятки, посувши ручки N назовні, та утримуйте їх, повертаючи рукоятки в потрібне положення
  - відпустіть обидві ручки, N щоби вони з клацанням стали на місце (можливі 4 положення)
- Належне ведення пристрою
  - пам'ятайте, що фреза обертається за годинниковою стрілкою
  - ведіть пристрій таким чином, щоб фреза оберталася назустріч деталі, а не від неї

- Монтування пластини-перехідника P (для копіювання за шаблоном) ⑬
- Монтування напрямної планки Q ⑭
  - вставте штири напрямної планки V в отвори основи R
  - відрегулюйте напрямну планку на потрібну ширину і закріпіть її за допомогою двох ручок W
- Використання напрямної планки як циркулярного напрямника ⑮
  - ! **спочатку переверніть напрямну планку**
  - закріпіть шпильку X за допомогою крильчастої гайки Y як показано на рисунку
  - вставте штири V в основу R
  - проколіть шпилькою X позначений центр кола
  - закріпіть напрямну планку двома ручками W
  - ведіть пристрій з рівномірною подачею по деталі, що обробляється
- Використання напрямної планки з фасонним буфером Z ⑯
  - встановіть фасонний буфер Z (з встановленим напрямним роликом) як показано на рисунку
  - ведіть пристрій вздовж краю деталі з легким натиском вбік

## ПОРАДИ ПО ВИКОРИСТАННЮ

- Для прорізів, паралельних з краєм деталі, використовуйте напрямну планку
- Для виконання паралельних прорізів далеко від краю деталі ⑩
  - закріпіть прямий брусок дерева на деталі за допомогою двох струбцин
  - ведіть пристрій основою вздовж краю бруска, який у цьому випадку служить як напрямна планка
- При використанні фрез з напрямником або шарикопідшипником, який повинен бути абсолютно гладеньким ⑰
- Для більших глибин фрезерування рекомендується проводити кілька повторних проходів з невеликим заглибленням кожного разу

## ДОГЛЯД/ОБСЛУГОВУВАННЯ

- Цей інструмент не придатний для промислового використання
- Завжди тримайте інструмент та його шнур в чистоті (особливо вентиляційні отвори S ②)
- Час від часу змашуйте повзуни T ②
- Якщо незважаючи на ретельну технологію виготовлення і перевірки інструмент все-таки вийде з ладу, його ремонт дозволяється виконувати лише в авторизованій сервісній майстерні для електроприладів SKIL
  - надішліть **нерозібраний** інструмент разом з доказом купівлі до Вашого дилера або до найближчого центру обслуговування SKIL (адреси, а також діаграма обслуговування пристрою, подаються на сайті [www.skil.com](http://www.skil.com))

# ΟΧΟΡΟΝΑ ΝΑΒΚΟΛΙШНОЇ СЕРЕДИ

- **Не викидайте електроінструмент, належності та упаковку разом зі звичайним сміттям** (тільки для країн ЄС)
  - відповідно до європейської директиви 2012/19/ЄС щодо утилізації старих електричних та електронних приладів, в залежності з місцевим законодавством, електроінструмент, який перебував в експлуатації повинен бути утилізований окремо, безпечним для навколишнього середовища шляхом
  - малюнок 18 нагадає вам про це

## ДЕΚΛΑΡΑЦІЯ ΠΡΟ ΒΙΔΠΟΒΙΔΝІШТЬ СΤΑΝΔΑΡΤΑΜ СЄ

- Ми заявляємо під нашу виключну відповідальність, що описаний в "Технічні дані" продукт відповідає таким нормам або нормативним документам: EN 60745, EN 61000, EN 55014 у відповідності до положень директив 2004/108/EG, 2006/42/EG, 2011/65/EC, 2009/125/EG (EC регулювання 1194/2012)
- **Технічні документи в:** SKIL Europe BV (PT-SEU/ENG1), 4825 BD Breda, NL

Marijn van der Hoofden  
Operations & Engineering

Olaf Dijkgraaf  
Approval Manager

SKIL Europe BV, 4825 BD Breda, NL

05.09.2014

## ШУМ/ΒΙΒΡΑЦІЯ

- Зміряний відповідно до EN 60745 рівень тиску звуку даного інструменту 84 дБ(А) і потужність звуку 95 дБ(А) (стандартне відхилення: 3 дБ), і вібрація 4,4 м/с<sup>2</sup> (ручна методика; похибка K = 1,5 м/с<sup>2</sup>)
  - Рівень вібрації було виміряно у відповідності зі стандартизованим випробуванням, що міститься в EN 60745; дана характеристика може використовуватися для порівняння одного інструмента з іншим, а також для попередньої оцінки впливу вібрації під час застосування даного інструмента для вказаних цілей
  - при використанні інструмента в інших цілях або з іншими/несправними допоміжними пристосуваннями рівень впливу вібрації може значно **підвищуватися**
  - у періоди, коли інструмент вимкнений або функціонує без фактичного виконання роботи, рівень впливу вібрації може значно **знижуватися**
- ! захищайте себе від впливу вібрації, підтримуючи інструмент і його допоміжні пристосування в справному стані, підтримуючи руки в теплі, а також правильно організовуючи свій робочий процес**

GR

Роутер

1840

## ΕΙΣΑΓΩΓΗ

- Το εργαλείο προορίζεται για το φρεζάρισμα αυλακώσεων, ακμών, διατομών και επιμηκών οπών σε ξύλο, πλαστικά και ελαφρά δομικά υλικά καθώς και για φρεζαρίσματα αντιγραφής (από πατρόν)
- Αυτό το εργαλείο δεν προορίζεται για επαγγελματική χρήση
- Το φως αυτού του ηλεκτρικού εργαλείου προορίζεται για τον απευθείας φωτισμό της περιοχής εργασίας του ηλεκτρικού εργαλείου και δεν είναι κατάλληλο για φωτισμό χώρου στο σπίτι
- Διαβάστε και φυλάξτε αυτές τις οδηγίες χρήσεως ③

## ΤΕΧΝΙΚΑ ΧΑΡΑΚΤΗΡΙΣΤΙΚΑ ①

### ΜΕΡΗ ΤΟΥ ΕΡΓΑΛΕΙΟΥ ②

- A** Ασφάλεια του άξονα
- B** Παξιμάδι μηχανισμού σύσφιξης
- C** Κλειδί
- D** Δείκτης βάθους
- E** Διακόπτης ρύθμισης ακριβείας
- F** Περιτρεφόμενο ρυθμιστή
- G** Κουμπί ρύθμισης (μετροπτής βάθους)
- H** Μοχλός ασφάλισης
- J** Τροχίσκος επιλογής ταχύτητας
- K** Προέκταση ηλεκτρικής σκούπας
- L** Διακόπτης εκκίνησης/στάσης
- M** Κουμπί ασφάλισης του διακόπτη
- N** Κουμπί ρύθμισης (λαβή)
- O** Λαμπάκια LED
- P** Πλάκα προσαρμογής
- Q** Οδηγός παράλληλης κοπής
- R** Πλάκα βάσης
- S** Σχισμές αερισμού
- T** Ράβδο ολίσθησης
- V** Ράβδο οδήγησης παράλληλης κοπής
- W** Πεταλούδα ρύθμισης οδηγού παράλληλης κοπής
- X** Πείρος οδηγού παράλληλης κοπής
- Y** Πεταλούδα οδηγού παράλληλης κοπής
- Z** Αποσβεστήρας καμπύλης

## ΑΣΦΑΛΕΙΑ

### ΓΕΝΙΚΕΣ ΥΠΟΔΕΙΞΕΙΣ ΑΣΦΑΛΕΙΑΣ

**⚠ ΠΡΟΕΙΔΟΠΟΙΗΣΗ! Διαβάστε όλες τις προειδοποιητικές υποδείξεις.** Αμέλειες κατά την τήρηση των προειδοποιητικών υποδείξεων μπορεί να προκαλέσουν ηλεκτροπληξία, κίνδυνο πυρκαγιάς ή/και σοβαρούς τραυματισμούς. **Φυλάξτε όλες τις προειδοποιητικές υποδείξεις και οδηγίες για κάθε μελλοντική χρήση.** Ο ορισμός "ηλεκτρικό εργαλείο" που χρησιμοποιείται στις προειδοποιητικές υποδείξεις αναφέρεται σε ηλεκτρικά εργαλεία που τροφοδοτούνται από το ηλεκτρικό δίκτυο (με ηλεκτρικό καλώδιο) καθώς και σε ηλεκτρικά εργαλεία που τροφοδοτούνται από μπαταρία (χωρίς ηλεκτρικό καλώδιο).

### 1) ΑΣΦΑΛΕΙΑ ΣΤΟ ΧΩΡΟ ΕΡΓΑΣΙΑΣ

- a) Διατηρείτε το χώρο που εργάζεσθε καθαρό και καλά φωτισμένο. Αταξία στο χώρο που εργάζεσθε ή μη φωτισμένες περιοχές εργασίας μπορεί να οδηγήσουν σε ατυχήματα.
- b) Μην εργάζεσθε με το ηλεκτρικό εργαλείο σε περιβάλλον που υπάρχει κίνδυνος έκρηξης, στο οποίο υπάρχουν εύφλεκτα υγρά, αέρια ή σκόνη. Τα ηλεκτρικά εργαλεία μπορεί να δημιουργήσουν σπινθηρισμό ο οποίος μπορεί να αναφλέξει τη σκόνη ή τις αναθυμιάσεις.
- c) Όταν χρησιμοποιείτε το ηλεκτρικό εργαλείο κρατάτε τα παιδιά κι άλλα τυχόν πρόσωπα μακριά από το χώρο που εργάζεσθε. Σε περίπτωση που άλλα άτομα αποσπάσουν την προσοχή σας μπορεί να χάσετε τον έλεγχο του μηχανήματος.
- ### 2) ΗΛΕΚΤΡΙΚΗ ΑΣΦΑΛΕΙΑ
- a) Το φως του καλωδίου του ηλεκτρικού εργαλείου πρέπει να ταιριάζει στην αντίστοιχη πρίζα. Δεν επιτρέπεται με κανένα τρόπο η μετασκευή του φως. Μη χρησιμοποιείτε προσαρμοστικά φως σε συνδυασμό με ηλεκτρικά εργαλεία συνδεδεμένα με τη γη (γειωμένα). Αθικτα φως και κατάλληλες πρίζες μειώνουν τον κίνδυνο ηλεκτροπληξίας.
- b) Αποφεύγετε την επαφή του σώματος σας με γειωμένες επιφάνειες όπως σωλήνες, θερμαντικά σώματα (καλοριφέρ), κουζίνες και ψυγεία. Όταν το σώμα σας είναι γειωμένο αυξάνεται ο κίνδυνος ηλεκτροπληξίας.
- c) Μην εκθέτετε το ηλεκτρικό εργαλείο στη βροχή ή την υγρασία. Η διείσδυση νερού στο ηλεκτρικό εργαλείο αυξάνει τον κίνδυνο ηλεκτροπληξίας.
- d) Μη χρησιμοποιείτε το καλώδιο για να μεταφέρετε ή ν'αναρτήσετε το ηλεκτρικό εργαλείο ή για να βγάλετε το φως από την πρίζα. Κρατάτε το καλώδιο μακριά από υψηλές θερμοκρασίες, λάδια, κοφτερές ακμές ή κινούμενα εξαρτήματα. Τυχόν χαλασμένα ή μπερδεμένα καλώδια αυξάνουν τον κίνδυνο ηλεκτροπληξίας.
- e) Όταν εργάζεσθε με το ηλεκτρικό εργαλείο στο ύπαιθρο χρησιμοποιείτε πάντοτε καλώδια επιμήκυνσης (μπαλαντάζες) που έχουν εγκριθεί για χρήση σε εξωτερικούς χώρους. Η χρήση καλωδίων επιμήκυνσης εγκριμένων για εργασία σε εξωτερικούς χώρους μειώνει τον κίνδυνο ηλεκτροπληξίας.
- f) Όταν η χρήση του ηλεκτρικού εργαλείου σε υγρό περιβάλλον είναι αναπόφευκτη, τότε χρησιμοποιήστε έναν προστατευτικό διακόπτη διαρροής. Η χρήση ενός προστατευτικού διακόπτη διαρροής ελαττώνει τον κίνδυνο ηλεκτροπληξίας.
- ### 3) ΑΣΦΑΛΕΙΑ ΠΡΟΣΩΠΩΝ
- a) Να είστε πάντοτε προσεκτικός/προσεκτική, να δίνετε προσοχή στην εργασία που κάνετε και να χειριζόσθε το ηλεκτρικό εργαλείο με περισκεψη. Μην κάνετε χρήση του ηλεκτρικού εργαλείου όταν είστε κουρασμένος/κουρασμένη ή όταν βρίσκεσθε υπό την επιρροή ναρκωτικών, οιοπνεύματος ή φαρμάκων. Μια στιγμήαια απροσεξία κατά το χειρισμό του ηλεκτρικού εργαλείου μπορεί να οδηγήσει σε σοβαρούς τραυματισμούς.

- b) Φοράτε προστατευτικά ενδύματα και πάντοτε προστατευτικά γυαλιά. Όταν φοράτε ενδύματα ασφαλείας, ανάλογα με το υπό χρήση ηλεκτρικό εργαλείο, όπως προσωπίδα προστασίας από σκόνη, αντιολισθηκά παπούτσια ασφαλείας, κράνη ή ωτασπίδες, μειώνεται ο κίνδυνος τραυματισμών.
- c) Αποφεύγετε την αθέλητη εκκίνηση. Βεβαιωθείτε ότι το ηλεκτρικό εργαλείο έχει αποευχτεί πριν το συνδέσετε με το ηλεκτρικό δίκτυο ή/και με την μπαταρία καθώς και πριν το παραλάβετε ή το μεταφέρετε. Όταν μεταφέρετε το ηλεκτρικό εργαλείο έχοντας το δάχτυλό σας στο διακόπτη ή όταν συνδέσετε το μηχάνημα με την πηγή ρεύματος όταν αυτό είναι ακόμη συζευγμένο, τότε δημιουργείται κίνδυνος τραυματισμών.
- d) Αφαιρείτε από τα ηλεκτρικά εργαλεία πριν τα θέσετε σε λειτουργία τυχόν συναρμολογημένα χρησιμοποιήσιμα εργαλεία ή κλειδιά. Ενα εργαλείο ή κλειδί συναρμολογημένο στο περιστρεφόμενο εξάρτημα ενός ηλεκτρικού εργαλείου μπορεί να οδηγήσει σε τραυματισμούς.
- e) Μην υπερκινείτε τον εαυτό σας. Φροντίζετε για την ασφαλή στήριξη του σώματος σας και διατηρείτε πάντοτε την ισορροπία σας. Αυτό σας επιτρέπει τον καλύτερο έλεγχο το ηλεκτρικού εργαλείου σε περιπτώσεις απροσδόκητων καταστάσεων.
- f) Φοράτε κατάλληλη ενδυμασία εργασίας. Μη φοράτε φαρδιά ενδύματα ή κοσμήματα. Κρατάτε τα μαλλιά σας, τα ενδύματα σας και τα γάντια σας μακριά από τα κινούμενα εξαρτήματα. Χαλαρή ενδυμασία, κοσμήματα και μακριά μαλλιά μπορεί να εμπλακούν στα κινούμενα εξαρτήματα.
- g) Αν υπάρχει η δυνατότητα συναρμολόγησης διατέξων αναρρόφησης ή συλλογής σκόνης, βεβαιωθείτε αν οι διατάξεις αυτές είναι συνδεδεμένες καθώς κι αν χρησιμοποιούνται σωστά. Η χρήση μιας αναρρόφησης σκόνης μπορεί να ελαττώσει τον κίνδυνο που προκαλείται από τη σκόνη.
- ### 4) ΧΡΗΣΗ ΚΙ ΕΠΙΜΕΛΗΣ ΧΕΙΡΙΣΜΟΣ ΤΩΝ ΗΛΕΚΤΡΙΚΩΝ ΕΡΓΑΛΕΙΩΝ
- a) Μην υπερφορτώνετε το ηλεκτρικό εργαλείο. Χρησιμοποιήστε για την εκάστοτε εργασία σας το ηλεκτρικό εργαλείο που προορίζεται γι' αυτήν. Με το κατάλληλο ηλεκτρικό εργαλείο εργάζεσθε καλύτερα και ασφαλέστερα στην αναφερόμενη περιοχή ισχύος.
- b) Μη χρησιμοποιήσετε ποτέ ένα ηλεκτρικό εργαλείο του οποίου ο διακόπτης ON/OFF είναι χαλασμένος. Ενα ηλεκτρικό εργαλείο το οποίο δεν μπορεί να τερθεί πλέον σε ή εκτός λειτουργίας είναι επικίνδυνο και πρέπει να επισκευαστεί.
- c) Βγάξτε το φως από την πρίζα και/ή αφαιρέστε την μπαταρία πριν διεξάγετε στο εργαλείο μια οποιαδήποτε εργασία ρύθμισης, πριν αλλάξετε ένα εξάρτημα ή όταν πρόκειται να διαφυλάξετε/ να αποθηκεύσετε το εργαλείο. Αυτά τα προληπτικά μέτρα ασφαλείας μειώνουν τον κίνδυνο από τυχόν αθέλητη εκκίνηση του ηλεκτρικού εργαλείου.
- d) Διαφυλάγετε τα ηλεκτρικά εργαλεία που δε χρησιμοποιείτε μακριά από παιδιά. Μην αφήνετε άτομα που δεν είναι εξοικειωμένα με το ηλεκτρικό εργαλείο ή δεν έχουν διαβάσει αυτές

τις οδηγίες χρήσης να το χρησιμοποιήσουν. Τα ηλεκτρικά εργαλεία είναι επικίνδυνα όταν χρησιμοποιούνται από άπειρα πρόσωπα.

- e) **Να περιπολιέτε προσεκτικά το ηλεκτρικό σας εργαλείο και να ελέγχετε, αν τα κινούμενα τμήματα του λειτουργούν άψογα και δεν μπλοκάρουν, ή μήπως έχουν χαλάσει ή σπάσει εξαρτήματα, τα οποία επηρεάζουν έτσι αρνητικά τον τρόπο λειτουργίας του ηλεκτρικού εργαλείου. Δώστε τυχόν χαλασμένα εξαρτήματα του ηλεκτρικού εργαλείου για επισκευή πριν το χρησιμοποιήσετε πάλι.** Η ανεπαρκής συντήρηση των ηλεκτρικών εργαλείων αποτελεί αιτία πολλών ατυχημάτων.
- f) **Διατηρείτε τα κοπτικά εργαλεία κοφτερά και καθαρά.** Τα κοπτικά εργαλεία που συντηρούνται με προσοχή μπορούν να οδηγηθούν εύκολα και να ελεγχθούν καλύτερα.
- g) **Χρησιμοποιείτε τα ηλεκτρικά εργαλεία, τα εξαρτήματα, τα χρησιμοποιήσιμα εργαλεία κτλ. σύμφωνα με τις παρούσες οδηγίες καθώς. Λαμβάνετε ταυτόχρονα υπόψη σας τις συνθήκες εργασίας και την υπό εκτέλεση εργασία.** Η χρήση του ηλεκτρικού εργαλείου για άλλες εκτός από τις προβλεπόμενες εργασίες μπορεί να δημιουργήσει επικίνδυνες καταστάσεις.

## 5) SERVICE

- a) **Δίνετε το ηλεκτρικό σας εργαλείο για επισκευή από άριστα ειδικευμένο προσωπικό, μόνο με γνήσια ανταλλακτικά.** Έτσι εξασφαλίζεται η διατήρηση της ασφάλειας του ηλεκτρικού εργαλείου.

## ΥΠΟΔΕΙΞΕΙΣ ΑΣΦΑΛΕΙΑΣ ΓΙΑ ΡΟΥΤΕΡ

### ΓΕΝΙΚΑ

- Αυτό το εργαλείο δεν πρέπει να χρησιμοποιείται από άτομα κάτω των 16 ετών
- **Πάντα να αποσυνδέεται την πρίζα από το ηλεκτρικό δίκτυο πριν κάνετε κάποια ρύθμιση ή αλλάξετε εξάρτημα**

### ΕΞΑΡΤΗΜΑΤΑ

- Η SKIL εγγυάται την τέλεια λειτουργία του εργαλείου μόνο όταν χρησιμοποιούνται αυθεντικά εξαρτήματα
- Χρησιμοποιείτε μόνο εξαρτήματα των οποίων ο ύψιστος επιτεπός αριθμός στροφών είναι τουλάχιστον τόσο υψηλός, όσο ο ύψιστος αριθμός στροφών χωρίς φορτίο του εργαλείου
- Μην χρησιμοποιείτε ελαττωματικά ή παραμορφωμένα κοπτικά εργαλεία
- Να χρησιμοποιείτε μόνο αιχμηρά κοπτικά εργαλεία
- Προστατέψτε τα εξαρτήματα από κραδασμούς, δονήσεις και γρήσα
- Με το εργαλείο αυτό να χρησιμοποιείτε μόνο κοπτικά εργαλεία από ταχυχάλυβα (HSS) ή με άκρο από καρβίδιο (CT)

### ΠΡΙΝ ΑΠΟ ΤΗ ΧΡΗΣΗ

- Προφυλάξτε το εργαλείο από τυχόν φθορές από ξένα σώματα (βίδες, καρφιά ή άλλα) που ίσως είναι μέσα στο κομμάτι που θα δουλέψετε - αφαιρέστε τα πριν αρχίσετε την εργασία
- Βεβαιωθείτε ότι η τάση του παρεχόμενου ρεύματος είναι ίδια με την τάση που υποδεικνύεται στην πινακίδα δεδομένων του εργαλείου (εργαλεία που φέρουν την

ένδειξη 230V ή 240V μπορούν να συνδεθούν επίσης σε πρίζα 220V)

- **Μην κατεργάζεστε υλικά που περιέχουν αμιάντο** (το αμιάντο θεωρείται σαν καρκινογόνο υλικό)
- **Χρησιμοποιήστε σφινγκήρες ή άλλο πρακτικό μέσο για να στερεώσετε και να υποστηρίξετε το κομμάτι εργασίας σε ευσταθή πλατφόρμα** (αν κρατάτε το κομμάτι εργασίας με το χέρι ή πάνω στο σώμα σας, αυτό δεν σταθεροποιείται και υπάρχει κίνδυνος απώλειας του ελέγχου)
- Μην σφίγγετε το εργαλείο σε μέγερνη
- Χρησιμοποιείτε ασφαλείς, τελείως ξετυλιγμένες προεκτάσεις καλωδίου με χωρητικότητα 16 Amps
- Η ηχητική στάθμη κατά την εργασία ενδέχεται να ξεπεράσει τα 85 dB(A) - γι' αυτό θα πρέπει να φοράτε προστασία ακοής
- Η σκόνη από υλικά όπως μπιγιές που περιέχουν μόλυβδο, ορισμένα είδη ξύλου, ανόργανα στοιχεία και μέταλλα μπορεί να είναι επιβλαβής (η επαφή ή η εισπνοή της σκόνης μπορεί να προκαλέσει αλλεργικές αντιδράσεις ή/και αναπνευστικές ασθένειες στον χειριστή ή σε άτομα που παρίστανται) - **να φοράτε προσωπίδα προστασίας από τη σκόνη και να εργάζεστε με συσκευή αφαίρεσης σκόνης όταν είναι δυνατό**
- Ορισμένα είδη σκόνης ταξινομούνται ως καρκινογόνα (όπως η σκόνη από τη δρυ ή την οξιά) ιδιαίτερα σε συνδυασμό με πρόσθετα συντήρησης ξύλου - **να φοράτε προσωπίδα προστασίας από τη σκόνη και να εργάζεστε με συσκευή αφαίρεσης σκόνης όταν είναι δυνατό**
- Ακολουθήστε τις σχετικές με σκόνη εθνικές διατάξεις για τα υλικά που θέλετε να εργαστείτε
- Βεβαιωθείτε ότι το εργαλείο είναι σβησμένο όταν συνδέεται στην πρίζα

### ΚΑΤΑ ΤΗ ΧΡΗΣΗ

- **Κρατήστε το ηλεκτρικό εργαλείο από τις μονωμένες επιφάνειες συγκράτησης, καθώς ο μηχανισμός κοπής μπορεί να έρθει σε επαφή με το καλώδιό του** (το κόψιμο ενός ηλεκτροφόρου καλωδίου ενδέχεται να κάνει ηλεκτροφόρα τα εκτεθειμένα μεταλλικά μέρη του ηλεκτρικού εργαλείου και να προκαλέσει ηλεκτροπληξία στον χειριστή)
- Να κρατάτε πάντα το καλώδιο μακριά από τα κινούμενα μέρη του εργαλείου σας - κρατάτε το καλώδιο προς τα πίσω, μακριά από το εργαλείο
- Ποτέ μη χρησιμοποιείτε το εργαλείο όταν έχει υποστεί βλάβη το καλώδιο ή η βάση R ② (= προφυλακτικής) - θα πρέπει να αντικατασταθεί από έναν εξειδικευμένο τεχνίτη
- Προσοχή να κρατάτε τα χέρια και τα δάκτυλά σας μακριά από το κοπτικό εργαλείο όταν το εργαλείο λειτουργεί
- Ποτέ μην υπερβείτε το μέγιστο βάθος κοπής του κοπτικού εργαλείου κατά την εργασία
- Σε περίπτωση ηλεκτρικής ή μηχανικής δυσλειτουργίας, σταματήστε αμέσως το εργαλείο και βγάλτε το από την πρίζα
- Σε περίπτωση που μπλοκάρει το κοπτικό εργαλείο, με αποτέλεσμα να "κλωτσάει" το εργαλείο, σβήστε αμέσως το εργαλείο

- Σε περίπτωση που διακοπεί το ρεύμα ή βγει το φως από την πρίζα, θέστε αμέσως εκτός λειτουργίας το εργαλείο για να αποφύγετε την ανεξέλεγκτη επανεκκίνησή του
- Μην ασκείτε τόση μεγάλη δύναμη στο εργαλείο ώστε να σταματήσει να κινείται

#### ΜΕΤΑ ΤΗ ΧΡΗΣΗ

- Όταν τελειώσετε την εργασίας σας ξεσφίξτε το μοχλό Η ②, επαναφέρτε το εργαλείο στην αρχική του θέση και σταματήστε το εργαλείο σας

## ΧΡΗΣΗ

- Πως να αφαιρέτε/τοποθετείτε τα κοπτικά εργαλεία ④
  - ! απενεργοποιήστε το εργαλείο και βγάλτε το φως από την πρίζα
  - ! βεβαιωθείτε ότι ο άξονας του κοπτικού εργαλείου είναι απόλυτα καθαρός
  - ! βεβαιωθείτε ότι η διάμετρος της φωλιάς (6 mm, 8 mm) ταιριάζει με τη διάμετρο του άξονα του κοπτικού εργαλείου
  - αναποδογυρίστε το εργαλείο
  - ασφαλίστε τον άξονα σπρώχνοντας την ασφάλεια Α (περιστρέψτε το παξιμάδι της φωλιάς Β, αν αυτό είναι απαραίτητο) και κρατήστε το στην θέση αυτή ενώ κάνετε τα ακόλουθα
- ΓΙΑ ΝΑ ΤΟΠΟΘΗΤΗΣΕΤΕ:
  - ξεσφίξτε το παξιμάδι της φωλιάς Β με το κλειδί C
  - τοποθετείστε στη φωλιά το κοπτικό εργαλείο 3/4
  - σφίξτε το παξιμάδι της φωλιάς καλά με το κλειδί C
- ΓΙΑ ΝΑ ΑΦΑΙΡΕΣΕΤΕ:
  - ξεσφίξτε το παξιμάδι της φωλιάς Β με το κλειδί C
  - αφαιρέστε το κοπτικό εργαλείο
  - απελευθερώστε, τέλος, την ασφάλεια Α του άξονα
  - ! για να αφαιρέσετε το κοπτικό εργαλείο, ίσως χρειαστεί να χτυπήσετε τα παξιμάδι της φωλιάς με το κλειδί ⑤
  - ! ποτέ μην σφίγγετε το παξιμάδι εάν δεν υπάρχει κοπτικό εργαλείο μέσα στη φωλιά - η φωλιά μπορεί να αχρηστευθεί
- Για την αλλαγή της φωλιάς
  - ! απενεργοποιήστε το εργαλείο και βγάλτε το φως από την πρίζα
  - ! βεβαιωθείτε ότι ο άξονας της φωλιάς είναι απόλυτα καθαρός
  - ξεσφίξτε το παξιμάδι της φωλιάς Β κατά 2 ή 3 στρόφες
  - χτυπήστε ελαφρά το παξιμάδι της φωλιάς με το κλειδί C
  - αφαιρέστε το παξιμάδι Β και τη φωλιά (ασφαλίστε τον άξονα)
  - αναποδογυρίστε το εργαλείο
  - τοποθετήστε νέα φωλιά στον άξονα της φωλιάς
  - τοποθετήστε το παξιμάδι της φωλιάς Β (ασφαλίστε τον άξονα)
  - ! ποτέ μην σφίγγετε το παξιμάδι εάν δεν υπάρχει κοπτικό εργαλείο μέσα στη φωλιά - η φωλιά μπορεί να αχρηστευθεί
- Ρύθμιση του βάθους φρεζαρίσματος ⑥
  - ! απενεργοποιήστε το εργαλείο και βγάλτε το φως από την πρίζα
  - βεβαιωθείτε ότι η μικρή ράβδος μέσα στο δείκτη βάθους D εκτείνεται κατά περίπου 3 mm

(χρησιμοποιήστε το διακόπτη ρύθμισης ακριβείας E) ⑥a

- περιστρέψτε τον πυργίσκο F έτσι ώστε στην ανώτατη θέση του να κομπώσει ακριβώς κάτω από το δείκτη βάθους D (για μηδενισμό) ⑥b
- λασκάρτε το διακόπτη G έτσι ώστε ο δείκτης βάθους D να πέσει επάνω στον πυργίσκο του στοπ βάθους F ⑥b
- τοποθετήστε το εργαλείο επάνω κομμάτι
- λασκάρτε το μοχλό ασφάλισης Η ⑥c
- σπρώξτε το εργαλείο προς τα κάτω μέχρι το κοπτικό εργαλείο να έλθει σε επαφή με το κατεργαζόμενο κομμάτι ⑥d
- σφίξτε το μοχλό ασφάλισης Η ⑥e
- το βάθος φρεζαρίσματος έχει τώρα ρυθμιστεί στα 0 mm (σημειώστε την τιμή όπως εμφανίζεται στην κλίμακα βάθους)
- ανεβάστε το δείκτη βάθους D τόσα mm όσο είναι το επιθυμητό βάθος φρεζαρίσματος, και σφίξτε το διακόπτη G ⑥f
- λασκάρτε το μοχλό ασφάλισης Η και οδηγήστε το εργαλείο ξανά προς τα επάνω
- χρησιμοποιήστε το διακόπτη ρύθμισης ακριβείας E για την ακριβέστερη ρύθμιση του βάθους φρεζαρίσματος (0-10 mm)
- με τον πυργίσκο του στοπ βάθους F το βάθος φρεζαρίσματος μπορεί να αυξηθεί κατά 5 ή 10 mm, αντίστοιχα
- ! επαναρυθμίστε το βάθος φρεζαρίσματος μετά την αλλαγή κοπτικού στο ρούτερ
- Ελεγχος ταχύτητας ⑦
  - Για τα καλύτερα δυνατά αποτελέσματα φρεζαρίσματος σε διαφορετικά υλικά
    - επιλέξτε την ταχύτητα φρεζαρίσματος με τον τροχό J (ακόμη και κατά τη διάρκεια της λειτουργίας)
    - χρησιμοποιήστε τον πίνακα ③ ως αναφορά για τον καθορισμό της σωστής ταχύτητας φρεζαρίσματος
    - πριν ξεκινήσετε την εργασία, βεβαιωθείτε ότι έχετε ρυθμίσει την καλύτερη δυνατή ταχύτητα κάνοντας δοκιμή πάνω σε ένα κομμάτι άχρηστου υλικού
    - ! μετά από μεγάλα διαστήματα εργασίας σε χαμηλή ταχύτητα, δώστε στο μηχάνημα την ευκαιρία να κρυώσει, αφήνοντάς το να λειτουργεί για 3 περίπου λεπτά σε υψηλή ταχύτητα χωρίς φορτίο
- Απορρόφηση σκόνης ⑨
  - συνδέστε την ηλεκτρική σας σκούπα στην υποδοχή K
  - ! ποτέ μην αφήνετε το σωλήνα της ηλεκτρικής σκούπας να εμπλακεί με τη διαδικασία φρεζαρίσματος
- Χειρισμός του εργαλείου ⑩
  - ρυθμίστε το βάθος φρεζαρίσματος
  - ! να κρατάτε πάντοτε το εργαλείο σταθερά και με τα δύο χέρια
  - ! ενώ εργάζεστε, να κρατάτε πάντα το εργαλείο από τη/τις λαβή/ές με γκρι χρώμα
  - τοποθετήστε το εργαλείο επάνω κομμάτι
  - ξεκινήστε το εργαλείο σας τραβώντας την σκανδάλη L
  - ασφαλίστε το διακόπτη για συνεχόμενη χρήση πατώντας το πλήκτρο M

- ! **το εργαλείο σας πρέπει να δουλεύει στη μέγιστη ταχύτητα προτού το κοπτικό εργαλείο φθάσει την επιφάνεια την οποία κατεργάζεστε**
- λύστε το μοχλό στερέωσης H και πιέστε σιγά-σιγά το εργαλείο προς τα κάτω μέχρι ο δείκτης βάθους D να φτάσει στον πυργίσκο του στοπ βάρους F
- σφίξτε το μοχλό στερέωσης H
- διεξάγετε το φρεζάρισμα ασκώντας ομοιόμορφη προώθηση
- να χρησιμοποιείτε το εργαλείο με την πλάκα βάσης πάντοτε επίπεδη επάνω στο κατεργαζόμενο κομμάτι
- ένας γενικός κανόνας είναι ότι όταν κόβετε πρέπει να τραβάτε το εργαλείο και όχι να το σπρώχνετε
- απασφαλίσετε το διακόπτη τραβώντας πάλι τη σκανδάλη L και μετά απελευθερώνοντας την
- όταν τελειώσετε την εργασία σας ξεσφίξτε το μοχλό H και επαναφέρετε το εργαλείο στην αρχική του θέση
- Ρύθμιση θέσης χειρολαβής ⑪
  - απασφαλίστε και τις δύο χειρολαβές σύροντας τους διακόπτες N στην εξωτερική θέση λαο κρατήσεως τις ενώ ταυτόχρονα στρέψτε τις χειρολαβές στην επιθυμητή θέση
  - λύστε και τους δύο διακόπτες N μέχρι να κουμπώσουν (4 δυνατές θέσεις)
- Η σωστή κατεύθυνση
  - να θυμάστε πάντοτε ότι το κοπτικό εργαλείο γυρίζει προς τα δεξιά (προς τη φορά του ρολογιού)
  - να οδηγείτε το εργαλείο έτσι ώστε το κοπτικό εργαλείο να περιστρέφεται μέσα στο κατεργαζόμενο κομμάτι και όχι μακριά από αυτό
- Τοποθέτηση της πλάκας προσαρμογής P (για να κόψετε αντιγράφοντας από πρότυπο) ⑬
- Τοποθέτηση του οδηγού ευθείας κοπής Q ⑭
  - περάστε τα αξονάκια V του οδηγού μέσα από τις τρύπες στην πλάκα της βάσης R
  - ρυθμίστε τον οδηγό στο επιθυμητό πλάτος και στερεώστε τον με τα 2 κουμπιά W
- Χρήση του οδηγού ευθείας κοπής ως κυκλικού οδηγού ⑮

! **αναποδογυρίστε πρώτα τον οδηγό ευθείας κοπής**

- στερεώστε τον πείρο X με το παξιμάδι πεταλούδα Y, όπως δείχνει η εικόνα
- περάστε τα αξονάκια V στην πλάκα της βάσης R
- τρυπήστε τον πείρο X στο σηματοδοτούμενο κέντρο του κυκλικού τόξου
- στερεώστε τον οδηγό με τα 2 κουμπιά W
- οδηγήστε το εργαλείο προωθώντας το σταθερά πάνω στο κατεργαζόμενο κομμάτι
- Χρήση του οδηγού ευθείας κοπής με τον αποσβεστήρα καμπύλης Z ⑯
  - τοποθετήστε τον αποσβεστήρα καμπύλης Z (με μονταρισμένο τον κύλινδρο οδήγησης) όπως δείχνει η εικόνα
  - οδηγήστε το εργαλείο κατά μήκος της άκρης του κατεργαζόμενου κομματιού ασκώντας ελάχιστη πλευρική πίεση

## ΟΔΗΓΙΕΣ ΕΦΑΡΜΟΓΗΣ

- Για κοψίματα παράλληλα με την πλευρά του κατεργαζόμενου κομματιού να χρησιμοποιείτε τον οδηγό ευθείας κοπής
- Για να κάνετε παράλληλα κοψίματα επάνω σε κάποιο κομμάτι, μακριά από το άκρο του ⑩
  - στερεώστε επάνω στο κατεργαζόμενο κομμάτι, με 2 σφιγκτήρες, ένα ίσιο κομμάτι ξύλο
  - οδηγήστε το εργαλείο με την πλάκα-βάσης του κατά μήκος του ξύλου το οποίο τώρα χρησιμεύει σαν οδηγός ευθείας κοπής
- Όταν χρησιμοποιείτε κοπτικά εργαλεία με μια κατάλληλη προεξοχή ή ένα ρουλεμάν, η προεξοχή ή το ρουλεμάν πρέπει να γλιστρά κατά μήκος του άκρου του κατεργαζόμενου κομματιού το οποίο θα πρέπει να είναι απόλυτα λείο ⑰
- Για τη διεξαγωγή φρεζαρισμάτων μεγάλου βάθους καλό θα ήταν να διεξάγετε πολλά, αλληπάλληλα φρεζαρίσματα με μικρή αφαίρεση βάρους το καθένα

## ΣΥΝΤΗΡΗΣΗ / ΣΕΡΒΙΣ

- Αυτό το εργαλείο δεν προορίζεται για επαγγελματική χρήση
- Κρατάτε πάντοτε το εργαλείο και το καλώδιο καθαρά (και ιδιαίτερα τις θυρίδες αερισμού S ②)
- Να λιπαίνετε από καιρό σε καιρό στις ράβδους ολίσθησης T ②
- Αν παρ' όλες τις επιμελημένες μεθόδους κατασκευής και ελέγχου το εργαλείο σταματήσει κάποτε να λειτουργεί, τότε η επισκευή του πρέπει να ανατεθεί σ' ένα εξουσιοδοτημένο συνεργείο για ηλεκτρικά εργαλεία της SKIL
  - στείλτε το εργαλείο **χωρίς να το αποσυναρμολογήσετε** μαζί με την απόδειξη αγοράς στο κατάστημα από το οποίο το αγοράσατε ή στον πλησιέστερο σταθμό τεχνικής εξυπηρέτησης της SKIL (θα βρείτε τις διευθύνσεις και το διάγραμμα συντήρησης του εργαλείου στην ιστοσελίδα [www.skil.com](http://www.skil.com))

## ΠΕΡΙΒΑΛΛΟΝ

- **Μην πετάτε τα ηλεκτρικά εργαλεία, εξαρτήματα και συσκευασία στον κάδο οικιακών απορριμμάτων** (μόνο να τις χώρες της ΕΕ)
  - σύμφωνα με την ευρωπαϊκή οδηγία 2012/19/EK περί ηλεκτρικών και ηλεκτρονικών συσκευών και την ενσωμάτωσή της στο εθνικό δίκαιο, τα ηλεκτρικά εργαλεία πρέπει να συλλέγονται ξεχωριστά και να επιστρέφονται για ανακύκλωση με τρόπο φιλικό προς το περιβάλλον
  - το σύμβολο ⑱ θα σας το θυμίσει αυτό όταν έλθει η ώρα να πετάξετε τις

## ΔΗΛΩΣΗ ΣΥΜΜΟΡΦΩΣΗΣ CE

- Δηλώνουμε υπευθύνως ότι το προϊόν που περιγράφεται στα "Τεχνικά χαρακτηριστικά" εκπληρώνει τους εξής κανονισμούς ή κατασκευαστικές συστάσεις: EN 60745, EN 61000, EN 55014 σύμφωνα με τις διατάξεις των οδηγιών 2004/108/EK, 2006/42/EK, 2011/65/EE, 2009/125/EK (EE κανονισμός 1194/2012)



- **Τεχνικός φάκελος από:** SKIL Europe BV (PT-SEU/ENG1), 4825 BD Breda, NL

Marijn van der Hoofden  
Operations & Engineering

Olaf Dijkgraaf  
Approval Manager

SKIL Europe BV, 4825 BD Breda, NL

05.09.2014

## ΘΟΡΥΒΟ/ΚΡΑΔΑΣΜΟΥΣ

- Μετρημένη σύμφωνα με EN 60745 η στάθμη ακουστικής πίεσης αυτού του εργαλείου ανέρχεται σε 84 dB(A) και η στάθμη ηχητικής ισχύος σε 95 dB(A) (κοινή απόκλιση: 3 dB), και ο κραδασμός σε 4,4 m/s<sup>2</sup> (μεθοδος χειρός/βραχίονα - ανασφάλεια K = 1,5 m/s<sup>2</sup>)
  - Το επίπεδο παραγωγής κραδασμών έχει μετρηθεί σύμφωνα με μια τυποποιημένη δοκιμή που αναφέρεται στο πρότυπο EN 60745 - μπορεί να χρησιμοποιηθεί για τη σύγκριση ενός εργαλείου με ένα άλλο, καθώς και ως προκαταρκτική αξιολόγηση της έκθεσης στους κραδασμούς όταν το εργαλείο χρησιμοποιείται για τις εφαρμογές που αναφέρονται
    - η χρήση του εργαλείου για διαφορετικές εφαρμογές ή με διαφορετικά ή κακοσυντηρημένα εξαρτήματα μπορεί να **αυξήσει** σημαντικά το επίπεδο έκθεσης
    - όταν το εργαλείο είναι απενεργοποιημένο ή δουλεύει αλλά δεν εκτελεί την εργασία, το επίπεδο έκθεσης μπορεί να **μειωθεί** σημαντικά
- ! προστατευτείτε από τις επιδράσεις των κραδασμών συντηρώντας σωστά το εργαλείο και τα εξαρτήματά του, διατηρώντας τα χέρια σας ζεστά και οργανώνοντας τον τρόπο εργασίας σας**

RO

## Μαшины de frezart

1840

## INTRODUCERE

- Μαшина este destinată să prelucreze suprafețe executând creștături/șanțuri, muchii, profile și găuri ovale/prelungite în lemn, plastic și materiale de construcție ușoare; aceasta este destinată de asemenea și pentru frezarea prin copiere
- Aceasta sculă nu este destinată utilizării profesionale
- Lampa acestei scule electrice este destinată iluminării directe a zonei de lucru a sculei electrice și nu este adecvată pentru iluminarea încăperilor din gospodărie
- Citiți și păstrați acest manual de instrucțiuni ③

## DATE TEHNICE ①

## ELEMENTELE SCULEI ②

- A Axul de blocare
- B Bucșa mandrinei
- C Cheie
- D Sistem de reglare a adâncimii

- E Buton de reglare fină
- F Capul opritor de adâncime
- G Buton de ajustare (sistem de reglare a adâncimii)
- H Manetă blocare
- J Rotilă pentru ajustarea vitezei
- K Extensie pentru aspirator
- L Întrerupător pornit/oprit
- M Buton pentru închiderea întrerupătorului
- N Buton de ajustare (mâner)
- O Lumini LED
- P Dispozitiv de adaptare
- Q Riglă de ghidare pentru caneluri
- R Placă de bază
- S Fantele de ventilație
- T Bare glisante
- V Tijele dispozitivului de reglare a creștăturii
- W Buton de reglare a riglei de ghidare a canelării
- X Știftul dispozitivului de reglare a creștăturii
- Y Piulița fluture a dispozitivului de reglare a creștăturii
- Z Dispozitivul de bordurare

## SIGURANȚA

### INSTRUCȚIUNI DE SIGURANȚĂ GENERALE

**⚠ ATENȚIE! Citiți toate indicațiile de avertizare și instrucțiunile.** Nerespectarea indicațiilor de avertizare și a instrucțiunilor poate provoca electrocutare, incendii și/sau răniiri grave. **Păstrați toate indicațiile de avertizare și instrucțiunile în vederea utilizărilor viitoare.** Termenul de "sculă electrică" folosit în indicațiile de avertizare se referă la sculele electrice alimentate de la rețea (cu cablu de alimentare) și la sculele electrice cu acumulator (fără cablu de alimentare).

### 1) SIGURANȚA LA LOCUL DE MUNCĂ

- a) **Păstrați-vă locul de muncă curat și bine iluminat.**  
Dezordinea la locul de muncă sau existența unor sectoare de lucru neiluminate poate duce la accidente.
- b) **Nu folosiți mașina în medii cu pericol de explozie, acolo unde există lichide, gaze sau pulberi inflamabile.** Sculele electrice pot produce scânteii care să aprindă pulberile sau vaporii.
- c) **Nu permiteți accesul copiilor și al altor persoane în timpul lucrului cu mașina.** Dacă vi se distrage atenția puteți pierde controlul asupra mașinii.

### 2) SECURITATE ELECTRICĂ

- a) **Ștecherul de racordare a mașinii trebuie să se potrivească cu prizele de alimentare. Nu este permisă în nici-un caz modificarea ștecherului. Nu folosiți adaptoare pentru ștechere la mașinile legate la pământ.** Ștecherule nemodificate și prizele de curent adecvate acestora reduc riscul de electrocutare.
- b) **Evitați contactul corporal cu suprafețe legate la pământ ca țevi, radiatoare, plite electrice și frigidere.** Există un risc crescut de electrocutare atunci când corpul dv. este și el legat la pământ.
- c) **Nu lăsați mașina afară în ploaie sau în mediu umed.** Riscul de electrocutare crește atunci când într-o sculă electrică pătrunde apă.
- d) **Nu trageți niciodată mașina de cordonul de alimentare pentru a o transporta, a o atârna sau a**

scoate ștecherul din priză de curent. Feriți cordonul de alimentare de căldură, ulei, muchii ascuțite sau de subansamble aflate în mișcare. Un cordon de alimentare deteriorat sau înfășurat mărește riscul de electrocutare.

- e) **Atunci când lucrați cu scula electrică în aer liber, folosiți numai cordonare prelungitoare autorizate pentru exterior.** Întrebuințarea unui cordon prelungitor adecvat utilizării în aer liber reduce riscul de electrocutare.
- f) **Atunci când nu poate fi evitată utilizarea sculei electrice în mediu umed, folosiți un întrerupător de circuit cu împământare.** Folosirea unei întrerupător de circuit cu împământare reduce riscul de electrocutare.

### 3) SECURITATEA PERSOANELOR

- a) **Fiți vigilenți, fiți atenți la ceea ce faceți și procedați rațional atunci când lucrați cu scula electrică. Nu folosiți mașina dacă sunteți oboșiți sau vă aflați sub influența drogurilor, alcoolului sau a medicamentelor.** Un moment de neatenție în timpul lucrului cu mașina poate duce la răni grave.
- b) **Purtați echipament de protecție personală și întotdeauna ochelari de protecție.** Folosirea echipamentelor de protecție a persoanei ca mască de protecție împotriva prafului, încălțăminte antiderapantă, cască de protecție sau aparat de protecție auditivă, în funcție de tipul și domeniul de folosire al sculei electrice, reduce riscul rănilor.
- c) **Evitați o punere în funcțiune involuntară. Înainte de a introduce ștecherul în priză și/sau de a introduce acumulatorul în scula electrică, de a o ridica sau de a o transporta, asigurați vă că aceasta este oprită.** Dacă atunci când transportați scula electrică țineți degetul pe întrerupător sau dacă porniți scula electrică înainte de a o racorda la rețeaua de curent, puteți provoca accidente.
- d) **Înainte de a pune mașina în funcțiune scoateți afară cheile reglabile și fixe.** O cheie reglabilă sau fixă, aflată într-o componentă de mașină care se rotește, poate provoca răni.
- e) **Nu vă supraapreciați. Asigurați-vă o poziție stabilă și păstrați-vă întotdeauna echilibrul.** Astfel veți putea controla mai bine mașina în situații neașteptate.
- f) **Purtați îmbrăcăminte de lucru adecvată. Nu purtați haine largi sau podoabe. Țineți părul, îmbrăcămintea și mânușile departe de componente aflate în mișcare.** Îmbrăcămintea largă, podoabele și părul lung pot fi prinse de piesele aflate în mișcare.
- g) **Dacă există posibilitatea montării de echipamente și instalații de aspirare și colectare a prafului, asigurați-vă că acestea sunt conectate și folosite corect.** Folosirea unei instalații de aspirare a prafului poate duce la reducerea poluării cu praf.

### 4) MANEVRAȚI ȘI FOLOSIȚI CU GRIJĂ SCULELE ELECTRICE

- a) **Nu suprasolicitați mașina. Folosiți scula electrică destinată executării lucrării dumneavoastră.** Cu scula electrică potrivită lucrați mai bine și mai sigur în domeniul de putere specificat.
- b) **Nu folosiți scula electrică dacă are întrerupătorul defect.** O sculă electrică, care nu mai poate fi pornită sau oprită este periculoasă și trebuie reparată.

c) **Scoateți ștecherul afară din priză și/sau îndepărtați acumulatorul, înainte de a executa reglaje, a schimba accesoriul sau de a pune mașina la o parte.** Această măsură preventivă reduce riscul unei porniri involuntare a mașinii.

- d) **În caz de nefolosire păstrați mașinile la loc inaccesibil copiilor. Nu permiteți persoanelor care nu sunt familiarizate cu mașina sau care n-au citit prezentele instrucțiuni, să folosească mașina.** Sculele electrice sunt periculoase atunci când sunt folosite de persoane fără experiență.
- e) **Întrețineți-vă cu grijă mașina. Controlați dacă componentele mobile funcționează corect și dacă nu se blochează, dacă nu există piese defecte sau deteriorate, care să afecteze funcționarea mașinii.** Înainte de a repune în funcțiune mașina, duceți-o la un atelier de asistență service pentru repararea sau înlocuirea pieselor deteriorate. Multe accidente s-au datorat întreținerii defectuoase a sculelor electrice.
- f) **Păstrați accesoriile bine ascuțite și curate.** Accesoriile atent întreținute, cu muchii tăietoare bine ascuțite se blochează mai greu și pot fi conduse mai ușor.
- g) **Folosiți sculele electrice, accesoriile, dispozitivele de lucru etc. conform prezentelor instrucțiuni. Țineți seama de condițiile de lucru și de lucrarea care trebuie executată.** Întrebuințarea unor scule electrice destinate altor utilizări decât cele preconizate, poate duce la situații periculoase.

### 5) SERVICE

- a) **Permiteți repararea mașinii dumneavoastră numai de către un specialist calificat și numai cu piese de schimb originale.** În acest mod este garantată menținerea siguranței de exploatare a mașinii.

### INSTRUCȚIUNI DE SIGURANȚA PENTRU MAȘINI DE FREZAT

#### GENERALITĂȚI

- Această sculă nu trebuie să fie folosit de persoane sub 16 ani
- **Decuplați întotdeauna ștecherul de la sursa de alimentare înainte de a face o reglare sau o schimbare de accesoriu**

#### ACCESORII

- SKIL garantează funcționarea perfectă a aparatului numai dacă sunt folosite accesoriile originale
- Folosiți numai accesoriile a căror turație admisă este cel puțin egală cu turația maximă la mers în gol a aparatului
- Nu folosiți cuțite de freză defecte sau deformatate
- Folosiți numai cuțite de freză ascuțite
- Feriți accesoriile de impacturi, șocuri și unsoare
- Folosiți la această freză numai cuțite de freză fabricate din oțel rapid (HSS) sau cuțite armate cu placă de carburi metalice (CT)

#### ÎNAINTEA UTILIZĂRII

- Evitați daunele provocate de șuruburi, ținte și alte elemente din timpul lucrului; înlăturați aceste elemente înainte de a trece la acțiune
- Verificați întotdeauna dacă tensiunea de alimentare este aceeași cu tensiunea indicată pe plăcuța de identificare a sculei (sculele cu o specificație de 230V și 240V pot fi conectate și la alimentare de 220V)

- **Nu prelucrați materiale care conțin azbest** (azbestul este considerat a fi cancerigen)
- **Folosiți clame sau alte metode practice pentru a securiza și susține piesa de prelucrat pe o platformă stabilă** (dacă țineți piesa cu mâna sau sprijinită de corp va fi instabilă și puteți pierde controlul asupra ei)
- Nu fixați sculă în menghină
- Folosiți cabluri de prelungire derulate complet, protejate/izolate, cu o capacitate de 16 amperi
- Când este utilizat, nivelul de zgomot poate depăși 85 dB(A); este necesar să purtați echipament de protecție pentru urechi
- Praful rezultat din materiale precum vopseala care conține plumb, unele specii de lemn, minerale și metale poate fi periculos (contactul cu praful sau inhalarea acestuia poate provoca reacții alergice și/sau afecțiuni respiratorii operatorului sau persoanelor care stau în apropiere); **purtați o mască de praf și lucrați cu un dispozitiv de extragere a prafului când poate fi conectat**
- Anumite tipuri de praf sunt clasificate ca fiind cancerigene (cum ar fi praful de stejar și fag) în special în combinație cu aditivi pentru tratarea lemnului; **purtați o mască de praf și lucrați cu un dispozitiv de extragere a prafului când poate fi conectat**
- Respectați reglementările naționale referitoare la aspirația prafului în funcție de materialele de lucru folosite
- Asigurați-vă că sculă are contactul întrerupt atunci când o contactați la priză

## ÎN TIMPUL FUNCȚIONĂRII

- **Apucați mașina de mânerle izolate, deoarece cuțitul poate atinge propriul său cordon** (tăierea unui cablu electric "aflat sub tensiune" poate determina "punerea sub tensiune" a părților metalice expuse ale mașinii și poate cauza electrocutarea operatorului)
- Feriți întotdeauna cordonul de părțile în mișcare ale sculei; orientați cordonul spre spate, la distanță de sculă
- Nu folosiți mașina de frezat atunci când cordonul sau ansamblul de suport R ② (=dispozitiv de protecție) prezintă defecțiuni; înlocuirea lor se va efectua de o persoană autorizată
- Aveți grijă ca mâinile și degetele să nu fie în apropierea cuțitului de freză atunci când mașina este în funcțiune
- Nu depășiți adâncimea maximă de tăiere a cuțitului frezei în timpul procesului de prelucrare
- În cazul unor defecțiuni electrice sau mecanice deconectați imediat instrumentul și scoateți șnurul din priză
- În cazul în care cuțitul frezei este blocat lucru ce duce la apariția de șocuri în mașină, întrerupeți imediat contactul acesteia
- În caz de întrerupere a curentului atunci când ștecherul este scos din priză în mod accidental, întrerupeți imediat contactul acesteia pentru a preveni pornirea necontrolată
- Nu apăsați sculă astfel încât ea să se oprească

## DUPĂ UTILIZARE

- După terminarea lucrului deșurubați maneta H ②, aduceți mașina înapoi în poziția inițială de pornire și întrerupeți mașina

## UTILIZAREA

- Montarea/înlocuirea cuțitelor de freză ④
  - ! **opriți scula și scoateți-l din priză**
  - ! **asigurați-vă că tija cuțitului frezei este absolut curată**
  - ! **asigurați-vă că măsura manșonului de prindere (6 mm, 8 mm) corespunde cu cea a tijeii cuțitului frezei**
    - întoarceți instrumentul invers
    - blocați tija prin împingerea axului de blocare A (dacă este necesar, înșurubați piulița B de strângere) și mențineți-o astfel în timp ce
- PENTRU MONTARE:
  - deșurubați piulița de strângere B cu cheia C
  - introduceți din cuțitul frezei în manșonul de prindere
  - înșurubați piulița de strângere foarte bine cu cheia C
- PENTRU ÎNLOCUIRE:
  - deșurubați piulița de strângere B cu cheia C
  - scoateți cuțitul frezei
  - desfaceți axul de blocare A
  - ! **pentru îndepărtarea cuțitului frezei va fi necesar să loviți ușurel piulița de strângere cu cheia ⑤**
  - ! **nu strângeți niciodată piulița manșonului dacă nu există nici un cuțit de freză în manșonul de prindere; manșonul va fi deteriorat**
- Schimbare manșon de prindere
  - ! **opriți scula și scoateți-l din priză**
  - ! **asigurați-vă că tija cuțitului frezei este absolut curată**
    - deșurubați piulița de strângere B cu 2 sau 3 ture
    - prințiți piulița de strângere B cu cheia C
    - scoateți piulița de strângere B și manșonul (blocați tija)
    - întoarceți instrumentul invers
    - introduceți noul manșon pe axul manșonului
    - montați piulița de strângere B (blocați tija)
  - ! **nu strângeți niciodată piulița manșonului dacă nu există nici un cuțit de freză în manșonul de prindere; manșonul va fi deteriorat**
- Fixarea adâncimea de tăiere ⑥
  - ! **opriți scula și scoateți-l din priză**
  - ! **asigurați-vă că tija mică din interiorul șublerului de adâncime D depășește cu aproximativ 3 mm (utilizați butonul de reglare fină E) ⑥a**
    - rotiți capul F astfel încât poziția sa cea mai înaltă să se fixeze cu un clic în partea dreaptă sub șublerul de adâncime D (pentru poziția zero) ⑥b
    - slăbiți butonul G astfel încât șublerul de adâncime D să cadă în capul opritor de adâncime F ⑥b
    - plasați instrumentul pe piesa de prelucrat
    - slăbiți maneta de blocare H ⑥c
    - apăsați mașina în jos până când cuțitul frezei este în contact cu piesa de prelucrat ⑥d
    - strângeți maneta de blocare H ⑥e
  - adâncimea de tăiere este acum fixată la 0 mm (notați valoarea de pe scala de adâncime)
  - fixați șublerul de adâncime D la numărul de mm egal cu adâncimea de tăiere dorită și apoi strângeți butonul G ⑥f
  - slăbiți maneta de blocare H și dirijați din nou scula înapoi în sus
  - utilizați butonul de reglare fină E pentru fixarea mai precisă a adâncimii de tăiere (0-10 mm)

- cu ajutorul capului opritor de adâncime F adâncimea de tăiere poate fi mărită cu 5 sau respectiv 10 mm
- ! **reglați din nou adâncimea de tăiere după ce ați schimbat cuțitele de freză**
- Control de viteză (7)
 

Pentru a obține rezultate optime ale operațiilor de frezare în diverse tipuri de materiale:

  - selectați turația de frezare cu roata J (selectarea se poate face și când mașina este în funcțiune)
  - utilizați tabelul (8) ca referință pentru determinarea turației corecte de frezare
  - înainte de a începe o lucrare, determinați turația optimă prin încercări pe un alt bloc de material similar
- ! **după perioade mai lungi de lucru la turație redusă, lăsați scula să se răcească prin funcționare în gol timp de cca. 3 minute la turație ridicată**
- Aspirarea a prafului (9)
  - conectați aspiratorul la extensia K
- ! **nu lăsați niciodată furtunul aspiratorului să stânjenească operația de tăiere**
- Utilizarea sculei (10)
  - fixați adâncimea de tăiere
- ! **întotdeauna țineți mașina foarte bine cu ambele mâini**
- ! **în timp ce lucrați, țineți întotdeauna scula de zonă (zonele) de prindere colorate gri**
- plasați instrumentul pe piesa de prelucrat
- porniți instrumentul prin tragerea declansatorului L
- blocați comutatorul pentru utilizare continuă apăsând butonul M
- ! **mașina va funcționa cu viteză maximă înainte de atingerea suprafeței de prelucrare de către cuțitul frezei**
- slăbiți maneta de blocare H și împingeți scula ușor în jos până când șublerul de adâncime D atinge capul opritor de adâncime F
- strângeți maneta de blocare H
- procedeele de tăiere se desfășoară cu o viteză uniformă
- folosiți mașina cu partea ei plată pe suprafața de prelucrare
- drept regulă generală fiecare va trage mașina și nu o va împinge
- deblocați întrerupătorul prin tragerea din nou a declansatorului L, urmată de decuplarea acestuia
- după terminarea lucrului, deșurubați maneta H și aduceți mașina înapoi în poziția inițială de pornire
- Ajustarea poziției mânerelor (11)
  - deblocați ambele mâneri glisând butoanele N spre poziția exterioară și ținându-le în timp ce rotiți mânerul în poziția dorită
  - eliberați ambele butoane N până când se închid prin clic (4 poziții posibile)
- Funcționare corectă
  - nu uitați faptul că acest cuțit de freză se rotește în sensul acelor de ceasornic
  - conduceți mașina de așa natură încât cuțitul frezei să se rotească în suprafața de prelucrare și nu într-o altă direcție
- Montarea dispozitivului de adaptare P (pentru copierea cu un țipar) (13)

- Montarea dispozitivului de reglare a creștăturii Q (14)
  - introduceți tijele dispozitivului de reglare a creștăturii Q în orificiile ansamblului de suport R
  - glišați dispozitivul de reglare la lățimea dorită și fixați-l cele 2 butoane W
- Utilizarea dispozitivului ca ghidaj circular (15)
  - ! **mai întâi, inverșați poziția dispozitivului**
  - strângeți știftul X cu piulița fluture Y, ca în figură
  - introduceți tijele V în placa de bază R
  - înfigeți știftul X în centrul marcat al arcului circular
  - strângeți dispozitivul cu cele 2 butoane W
  - ghidați scula cu un avans uniform de-a lungul piesei de prelucrat
- Utilizarea dispozitivului cu dispozitivul de bordurare Z (16)
  - montați dispozitivul de bordurare Z (cu rola de ghidaj montată), ca în figură
  - ghidați scula de-a lungul marginii piesei de prelucrat, cu o ușoară apăsare laterală

## SFATURI PENTRU UTILIZARE

- Pentru tăieturi paralele cu marginea suprafeței de prelucrare folosiți un dispozitiv de ghidare
- Pentru realizarea de tăieturi paralele pe suprafața de prelucrare departe de margine (10)
  - fixați o bucată de lemn dreaptă pe suprafața de prelucrare cu ajutorul a 2 cleme
  - conduceți mașina cu dispozitivul de suport de-a lungul marginii de lemn care acum funcționează drept dispozitiv de ghidare
- Atunci când folosiți cuțite cu rulment sau lagăr cu bile, rulmentul sau lagărul cu bile se vor deplasa de-a lungul marginii suprafeței de prelucrare care trebuie să fie perfect netedă (17)
- Pentru adâncimi mari de tăiere se recomandă realizarea mai multor tăieturi succesive cu viteze de îndepărtare scăzute

## ÎNȚREȚINERE / SERVICE

- Această sculă nu este destinată utilizării profesionale
- Păstrați aparatul și cablul curat (mai ales fantele de ventilație S (2))
- Lubrifiați periodic barele glisante T (2)
- Dacă în ciuda procedeelelor de fabricație și control riguroase scula are totuși o pană, repararea acesteia se va face numai la un atelier de asistență service autorizat pentru scule electrice SKIL
  - trimiteți scula **în totalitatea lui** cu bonul de cumpărare la distribuitorul sau la centrul de service SKIL cel mai apropiat (adrese și diagrame de service se găsesc la [www.skil.com](http://www.skil.com))

## MEDIUL

- **Nu aruncați sculele electrice, accesoriile sau ambalajele direct la pubelele de gunoi** (numai pentru țările din Comunitatea Europeană)
  - Directiva Europeană 2012/19/EC face referire la modul de aruncare a echipamentelor electrice și electronice și modul de aplicare a normelor în conformitate cu legislația națională; sculele electrice în momentul în care au atins un grad avansat de uzură și

trebuie арунчате, еле трябва ар колечателе сепарат ш рецлчателе в нр-ун мод че респектър нормеле де протектър а медиулу и кончурър

- симболу 18 вър реаминти ачест луру

## DECLARAȚIE DE CONFORMITATE C E

- Declarър пе прорие рърспундере чър продусу дескри ла парграфу "Date tehnice" есте в конформитате чу urmърoareле стандарде ш документае нормативе: EN 60745, EN 61000, EN 55014 conform prevederilor directivelor 2004/108/CE, 2006/42/CE, 2011/65/UE, 2009/125/CE (UE regulamentare 1194/2012)
- **Documentație tehnică la:** SKIL Europe BV (PT-SEU/ENG1), 4825 BD Breda, NL

Marijn van der Hoofden  
Operations & Engineering

Olaf Dijkgraaf  
Approval Manager

SKIL Europe BV, 4825 BD Breda, NL

05.09.2014

## ZGOMOT/VIBRAȚII

- Mърсурат в конформитате чу EN 60745 nivelul de presiune а сунетулу генерат де ачест инструмент есте де 84 dB(A) iar nivelul de putere а сунетулу 95 dB(A) (abaterea standard: 3 dB), iar nivelul vibrațiilor 4,4 m/s<sup>2</sup> (metoda mърnър-brat; incertitudine K = 1,5 m/s<sup>2</sup>)
  - Nivelul emisiilor de vibrații а fost mърсурат в конформитате чу un test standardizat precizat в EN 60745; poate fi folosit pentru а compara о sculър чу alta ш ca evaluare preliminarър а expunerii la vibrații atunci cърnd folosiți scula pentru aplicațiile menționate
    - utilizarea sculei pentru aplicații diferite sau чу accesorii diferite ш prost внтреținуте poate **crește** semnificativ nivelul de expunere
    - momentele в care scula ете opritър sau cърnd funcționeазър dar nu executър nicio lucrare, pot **reduce** semnificativ nivelul de expunere
- ! protejați-vър impotriva efectelor vibrațiilor prin внтреținутера sculei ш а accesoriiilor sale, пърstrърnd mърinile calde ш organizърnd procesele de lucru**

BG

Оберфреза

1840

## УВОД

- Машината е предначанена за фрезоване на канали, рърбове, профили ш продърговати отвори в дърво, пластмаса ш леки строителни материали, както ш за копиру фрезоване
- Този инструмент не е предначанен за професионална употреба
- Лампата на този електроинструмент е предначанена за непосредствено осветяване на зоната на работа ш не е подходящър за осветяване на помещеня или за битови цели

- Прочетете ш пазете това рърководство за работа 3

## ТЕХНИЧЕСКИ ДАННИ 1

### ЕЛЕМЕНТИ НА ИНСТРУМЕНТА 2

- A** Фиксатор на вала
- B** Гайка на патронника
- C** Ключ
- D** Дърлбочинен ограничител
- E** Бутон за фино регулиране
- F** Глава на ограничителя на дърлбочина
- G** Регулировърчни бутон (дърлбочинен ограничител)
- H** Лост заключващ
- J** Диск за избор на скорост
- K** Удърljenje за прахосмукачка
- L** Прекърсвач за включване/изключване
- M** Бутон за застопоряване на включващя спусък
- N** Регулировърчни бутон (рърчка)
- O** Светодиодни светлини
- P** Регулиращър плоча
- Q** Предпазител против разкърсване
- R** Основа плоча
- S** Вентилационните отвори
- T** Плързгачи
- V** Рърти на направляващър планка
- W** Бутон за регулиране на направляващата планка
- X** Щифт на направляващър планка
- Y** Крилчатата гайка на направляващър планка
- Z** Ограничител за извивки

## БЕЗОПАСНОСТ

### ОБЩИ УКАЗАНИЯ ЗА БЕЗОПАСНА РАБОТА

**ВНИМАНИЕ!** Прочетете внимателно всички указания. Неспазването на приведените по долу указания може да доведе до токов удар, пожар и/или тежки травми. **Сърхранявайте тези указания на сигурно място.** Използваният по-долу термин "электроинструмент" се отнася до захранвани от електрическата мрежа електроинструменти (сър захранващ кабел) ш до захранвани от акумулаторна батерия електроинструменти (без захранващ кабел).

#### 1) БЕЗОПАСНОСТ НА РАБОТНОТО МЯСТО

- Поддържайте работното си място чисто ш подредено.** Безпорядъкът или недостатъчното осветление могат да спомогнат за възникването на трудова злополука.
- Не работете с електроинструмента в среда с повишена опасност от възникване на експлозия, в близост до леснозапалими течности, газове или прахообразни материали.** По време на работа в електроинструментите се отделят искри, които могат да възпламенят прахообразни материали или пари.
- Държете деца ш странични лица на безопасна разстояние, докато работите с електроинструмента.** Ако вниманието Ви бърде отклонено, може да загубите контрола над електроинструмента.

## 2) БЕЗОПАСНОСТ ПРИ РАБОТА С ЕЛЕКТРИЧЕСКИ ТОК

- a) **Щепселът на електроинструмента трябва да е подходящ за ползвания контакт. В никакъв случай не се допуска изменение на конструкцията на щепсела. Когато работите със занулени електроуреди, не използвайте адаптери за щепсела.** Ползването на оригинални щепсели и контакти намалява риска от възникване на токов удар.
  - b) **Избягвайте допира на тялото Ви до заземени тела, напр. тръби, отоплителни уреди, пещи и хладилници.** Когато тялото Ви е заземено, рискът от възникване на токов удар е по-голям.
  - c) **Предпазвайте електроинструмента си от дъжд и влага.** Проникването на вода в електроинструмента повишава опасността от токов удар.
  - d) **Не използвайте захранващия кабел за цели, за които той не е предвиден, напр. за да носите електроинструмента за кабела или да извадите щепсела от контакта. Предпазвайте кабела от нагриване, омасляване, допир до остри ръбове или до подвижни звена на машини.** Повредени или усукани кабели увеличават риска от възникване на токов удар.
  - e) **Когато работите с електроинструмент навън, използвайте само удължителни кабели, предназначени за работа на открито.** Използването на удължител, предназначен за работа на открито, намалява риска от възникване на токов удар.
  - f) **Ако се налага използването на електроинструмента във влажна среда, използвайте предпазен прекъсвач за утечни токове.** Използването на предпазен прекъсвач за утечни токове намалява опасността от възникване на токов удар.
- ## 3) БЕЗОПАСЕН НАЧИН НА РАБОТА
- a) **Бъдете концентрирани, следете внимателно действията си и постъпвайте предпазливо и разумно. Не използвайте електроинструмента, когато сте уморени или под влиянието на наркотични вещества, алкохол или упойващи лекарства.** Един миг разсеяност при работа с електроинструмент може да има за последствие изключително тежки наранявания.
  - b) **Работете с предпазщо работно облекло и винаги с предпазни очила.** Носенето на подходящи за ползвания електроинструмент и извършваната дейност лични предпазни средства, като дихателна маска, здрави плътнотзатворени обувки със стабилен грайфер, защитна каска или шумозаглушители (антифони), намалява риска от възникване на трудова злополука.
  - c) **Избягвайте опасността от включване на електроинструмента по невнимание. Преди да включите щепсела в захранващата мрежа или да поставите акумулаторната батерия, се уверявайте, че пусковият прекъсвач е в положение изключено.** Ако, когато носите електроинструмента, държите пръста си върху пусковия прекъсвач, или ако подавате захранващо

напрежение на електроинструмента, когато е включен, съществува опасност от възникване на трудова злополука.

- d) **Преди да включите електроинструмента, се уверявайте, че сте отстранили от него всички помощни инструменти и гаечни ключове.** Помощен инструмент, забравен на въртящо се звено, може да причини травми.
  - e) **Не надценявайте възможностите си. Работете в стабилно положение на тялото и във всеки момент поддържайте равновесие.** Така ще можете да контролирате електроинструмента по-добре и по-безопасно, ако възникне неочаквана ситуация.
  - f) **Работете с подходящо облекло. Не работете с широки дрехи или украшения. Дръжте носата си, дрехите и ръкавици на безопасно разстояние от въртящи се звена на електроинструментите.** Широките дрехи, украшенията, дългите коси могат да бъдат захванати и увлечени от въртящи се звена.
  - g) **Ако е възможно използването на външна аспирационна система, се уверявайте, че тя е включена и функционира изправно.** Използването на аспирационна система намалява рисковото, дължащи се на отделящата се при работа прах.
- ## 4) ВНИМАТЕЛНО ОТНОШЕНИЕ КЪМ ЕЛЕКТРОИНСТРУМЕНТИ
- a) **Не претоварвайте електроинструмента. Използвайте електроинструментите само съобразно тяхното предназначение.** Ще работите по-добре и по-безопасно, когато използвате подходящия електроинструмент в зададения от производителя диапазон на натоварване.
  - b) **Не използвайте електроинструмент, чиито пусков прекъсвач е повреден.** Електроинструмент, който не може да бъде изключван и включван по предвидения от производителя начин, е опасен и трябва да бъде ремонтиран.
  - c) **Преди да промените настройките на електроинструмента, да замените работни инструменти и допълнителни приспособления, както и когато продължително време няма да използвате електроинструмента, изключвайте щепсела от захранващата мрежа и/или изваждайте акумулаторната батерия.** Тази мярка премахва опасността от задействане на електроинструмента по невнимание.
  - d) **Съхранявайте електроинструментите на места, където не могат да бъдат достигнати от деца. Не допускайте те да бъдат използвани от лица, които не са запознати с начина на работа с тях и не са прочели тези инструкции.** Когато са в ръцете на неопитни потребители, електроинструментите могат да бъдат изключително опасни.
  - e) **Поддържайте електроинструментите си грижливо. Проверявайте дали подвижните звена функционират безупорно, дали не заклинват, дали има счупени или повредени детайли, които нарушават или изменят функциите на електроинструмента. Преди да използвате**

електронинструмента, се погрижете повредените детайли да бъдат ремонтирани. Много от трудовите злополуки се дължат на недобре поддържани електронинструменти и уреди.

- f) **Поддържайте режещите инструменти винаги добре заточени и чисти.** Добре поддържаните режещи инструменти с остри ръбове оказват по-малко съпротивление и се водят по-леко.
- g) **Използвайте електронинструментите, допълнителните приспособления, работните инструменти и т.н., съобразно инструкциите на производителя. С дейности и процедури, евентуално предписани от различни нормативни документи.** Използването на електронинструменти за различни от предвидените от производителя приложения повишава опасността от възникване на трудови злополуки.

#### 5) ПОДДЪРЖАНЕ

- a) **Допуснайте ремонтът на електронинструментите Ви да се извършва само от квалифицирани специалисти и само с използването на оригинални резервни части.** По този начин се гарантира съхраняване на безопасността на електронинструмента.

### УКАЗАНИЯ ЗА БЕЗОПАСНА РАБОТА С ОБЕРФРЕЗИ

#### ОБЩИ

- Машината не трябва да се използва от лица под 16 години
- **Преди извършването на канвата и да било настройка или смяна на принадлежност винаги изваждайте щепсела от контакта на електрозахранването**

#### ДОПЪЛНИТЕЛНИ АКЕСОАРИ

- SKIL може да осигури безаварийна работа на електронинструмента само ако се използват оригинални допълнителни приспособления
- Използвайте само принадлежности, чиято допустима скорост на въртене е по-голяма или равна на максималната скорост на въртене на празен ход на електронинструмента
- Не използвайте повредени или деформирани фрезоващи ножове
- Използвайте само остри фрезоващи ножове
- Пазете консумативите от удари и сътресения
- С този инструмент използвайте само ножове от високоскоростна стомана (HSS) или твърдосплавни ножове (СТ)

#### ПРЕДИ УПОТРЕБА

- Избягвайте повреди, които могат да бъдат причинени от винтове, гвоздеи и други метални елементи в обработвания детайл; отстранете ги преди да започнете работа
- Преди включване на инструмента в контакта се уверете, че мрежовото напрежение отговаря на напрежението, обозначено на фирмената табелка на инструмента (инструменти с номинално напрежение 230V или 240V могат да бъдат включени и към захранване с напрежение 220V)
- **Не обработвайте азбестосъдържащ материал** (азбестът е канцерогенен)

- **Използвайте затягащи приспособления или друг практичен начин за обезопасяване и закрепване на обработвания детайл към стабилна основа** (държането на обработвания детайл с ръка или опрян до тялото го прави нестабилен и може да доведе до загуба на контрол)
- Не затягайте електронинструмента в преса или менгема
- Използвайте напълно развити и обезопасени разклонители с капацитет 16 A
- При работа нивото на шума може да надвиши 85 dB(A); носете анттифони
- Прахът от някои материали, като например съдържаща олово боя, някои видове дървесина, минерали и метали може да бъде вреден (контакт или вдишване на такъв прах могат да причинят алергични реакции и/или респираторни заболявания на оператора или стоящите наблизо лица); **използвайте противпрахова масна и работете с аспиращо прахта устройство, когато такова може да бъде свързано**
- Определени видове прах са класифицирани като карциногенни (като прах от дъб и бук) особено когато са комбинирани с добавки за подобряване на състоянието на дървесината; **използвайте противпрахова масна и работете с аспиращо прахта устройство, когато такова може да бъде свързано**
- Следвайте дефинираните по БДС изисквания относно запаршеността за материалите, които желаете да обработвате
- При включване в контакта се уверете, че електронинструмента е изключена

#### ПРИ УПОТРЕБА

- **Дръжте инструмента за изолираните повърхности на ръкохватката, тъй като фрезоващият нож може да опре в неговия захранващ кабел** (прерязването на "фазовия" кабел може да доведе до наличие на напрежение на откритите метални части на инструмента и да причини токов удар на оператора)
- Винаги отвеждайте захранващия кабел далеч от движещите се звена на електронинструмента; прехвърлете кабела отзад, далеч от електронинструмента
- Не използвайте инструмента, когато е повреден шнурът или основният блок R ② (= предпазен механизъм); замената му следва да се извърши от квалифицирано лице
- Пазете ръцете и пръстите си от фрезоващия нож, когато инструмента е включена
- При работа не превишавайте максималната дълбочина на фрезовање
- В случай на електрическа или механична неизправност, изключете незабавно апарата и прекъснете контакта с електрическата мрежа
- В случай на закланване на ножа, предизвикващо вибрации, незабавно изключете инструмента
- В случай на прекъсване на захранването или случайно издърпване на щепсела незабавно, веднага изключете инструмента, за да избегнете случайно рестартиране на инструмента

- При спиране на инструмента, не прилагайте сила
- ### СЛЕД РАБОТА
- След приключване на работа разхлабете лост Н ②, поставете инструмента в горно стартово положение и изключете захранването

## УПОТРЕБА

- Поставяне/снемане на фрезоващия нож ④
  - ! **изключете инструмента и извадете захранващия кабел**
  - ! **проверете дали валът на фрезоващия нож е идеално чист**
  - ! **проверете дали размерът на втулка (6 мм, 8 мм) съответства на размера на вала на фрезоващия нож**
- обърнете инструмента надолу
- застопорете вала чрез избутване на фиксатор А на вала (ако е необходимо, завъртете патронник В) и задръжте, докато

### ПОСТАВЯНЕ:

- разхлабете патронник В с ключ С
- вкарайте нож 3/4 във втулка
- затегнете здраво патронника с ключ С

### СВАЛЯНЕ:

- разхлабете патронник В с ключ С
- махнете ножа
- освободете фиксатора на вала А
- ! **за освобождаване на ножа може да се наложи леко почукване на патронника с гаечен ключ ⑤**
- ! **не затягайте патронника, ако в него няма поставен нож; това може да доведе до повреда на втулка**

- Смяна на втулка
  - ! **изключете инструмента и извадете захранващия кабел**
  - ! **проверете дали валът на патронника е идеално чист**
  - развийте патронник В с 2 или 3 оборота
  - чукнете патронник В с ключ С
  - махнете патронник В и втулката (застопорете вала)
  - обърнете инструмента надолу
  - поставете нова втулка във вала
  - монтирайте патронника В (застопорете вала)
  - ! **не затягайте патронника, ако в него няма поставен нож; това може да доведе до повреда на втулка**
- Регулиране на дълбочина на фрезозане ⑥
  - ! **изключете инструмента и извадете захранващия кабел**
  - уверете се, че малкия прът в дълбокомера D се удължава на около 3 мм (използвайте бутона за фино регулиране Е) ⑥a
  - завъртете глава F така, че нейното най-високо положение да щракне на място точно под дълбокомер D (за зануляване) ⑥b
  - разхлабете ключа G, така че дълбокомерът D да падне към главата на ограничителя на височина F ⑥b
  - поставете инструмента върху дървения материал
  - освободете заключващия лост Н ⑥c

- притиснете инструмента надолу, докато фрезоващият нож допре обработвания материал ⑥d

- затегнете заключващия лост Н ⑥e
- дълбочината на фрезозане сега е настроена на 0 мм (отбележете стойността, както е посочена на скалата за дълбочина)
- вдигнете дълбокомера D на толкова милиметра, колкото е желаната дълбочина на фрезозане и затегнете ключа G ⑥f
- освободете заключващия лост Н и отново насочете инструмента в обратна посока
- използвайте бутона за фина настройка Е, за да зададете дълбочината на фрезозане по-точно (0-10 мм)
- с главата на ограничителя на височина F, дълбочината на фрезозане може да се увеличи съответно с 5 или 10 мм
- ! **регулирайте отново дълбочината на фрезозане, след като сте сменили фрезоващите ножове**

- Управление на скоростта ⑦
- За оптимални резултати при фрезозане на различни материали

- изберете скорост на фрезозане чрез регулатор J (също докато инструмента е в действие)
- използвайте таблица ⑧ за справка, за да определите подходящата скорост на фрезозане
- преди да започнете работа, установете оптималната скорост, като изпробвате с непотребен материал
- ! **след дълги периоди на работа на ниска скорост дайте възможност на инструмента да се охлади, като в продължение на приблизително 3 минути я пуснете на висока скорост без товар**

- Изсмукване на праха ⑨
  - включете прахосмукачката към щуцера К
  - ! **внимавайте тръбата на прахосмукачката да не пречи на операцията по фрезозане**

- Работа с инструмента ⑩
  - настройте дълбочината на фрезозане
  - ! **дръжте инструмента здраво с двете ръце**
  - ! **по време на работа, винаги дръжте уреда за оцветената(ите) в сиво зона(и) за хващане**
  - поставете инструмента върху дървения материал
  - включвайте апарата чрез натискане на спусък L
  - при продължителна употреба застопорете ключа, като натиснете бутон M
  - ! **преди ножът да допре работния материал, инструмента трябва да е достигнала максималните си обороти**
  - освободете заключващия лост Н и бавно спуснете и бавно спуснете инструмента надолу докато дълбокомера D достигне до ограничителя на дълбочина F
  - затегнете блокиращия лост Н
  - извършете фрезозането с равномерна скорост на подаване
  - по време на работа с инструмента основният блок трябва да лежи плътно върху работния материал



- като правило инструмента се придърпва, а не се избутва
- освободете механизма от застопорено положение като натиснете отново спусък L и го отпуснете след приключване на работа, разхлабете лост H и поставете инструмента в горно стартово положение
- Регулиране на позиция на дръжката ⑪
  - освободете и двете дръжки като плъзгате бутоните N към външната позиция и ги задръжте, докато въртите дръжките към желаната позиция
  - отпуснете двата бутона N докато те не се фиксират с щракане (4 възможни позиции)
- Правила при придвижване на инструмента
  - имайте предвид, че ножът се върти по посока на часовниковата стрелка
  - направлявайте инструмента така, че ножът да се върти в работния материал, а не извън него
- Монтиране на регулиращата плоча P (за копиране с шаблон) ⑬
- Монтиране на направляващата планка Q ⑭
  - вкарайте прътите V на направляващата планка в отворите на основния блок R
  - приплъзнете направляващата планка до желаната широчина и я затегнете с 2 ключа W
- Използване на направляващата планка като кръгъл водач ⑮
  - ! първо обърнете направляващата планка
  - затегнете шпилка X с крилчата гайка Y, както е показано
  - поставете прътите V в основния блок R
  - прокарайте прът X през маркирания център на кръгообразната арка
  - затегнете направляващата планка с 2 ключа W
  - направлявайте инструмента с постоянен натиск по обработвания детайл
- Използване на направляващата планка с ограничител за извивки Z ⑯
  - монтирайте ограничителя за извивки Z (с монтирана направляваща ролка), както е показано
  - придвижвайте инструмента по ръба на обработвания детайл, като прилагате лек натиск отстрани

## УКАЗАНИЯ ЗА РАБОТА

- За фрезование на профили, успоредни на страничния край на работния материал, използвайте направляваща втулка
- За изработване на успоредни профили в материала, отстоящи на разстояние от ръба му ⑰
  - закрепете право парче дърво върху работния материал с помощта на 2 скоби
  - придвижвайте инструмента така, че основният блок да се движи по ръба на дървото, което в случая играе ролята на направляваща втулка
- При използване на ножове с направляващ или сачмен лагер направляващият или сачмен лагер трябва да се движи по ръба на работния материал, чиято повърхност трябва да е съвършено гладка ⑰

- За по-големи дълбочини на фрезование се препоръчва изпълнението на няколко последователни фрезования с по-бавна скорост на отнемане на материал

## ПОДДРЪЖКА / СЕРВИЗ

- Този инструмент не е предназначен за професионална употреба
- Поддържайте винаги електроинструмента и захранващия кабел чисти (особено вентилационните отвори S ②)
- От време на време смазвайте плъзгачите T ②
- Ако въпреки прецизното производство и внимателно изпитване възникне повреда, инструмента да се занесе за ремонт в оторизирани сервиз за електроинструменти на SKIL
  - занесете инструмента в неразглобен вид заедно с доказателство за покупката му в търговския обект, откъдето сте го закупили, или в най-близкия сервиз на SKIL (адресите, както и схемата за сервизно обслужване на електроинструмента, можете да намерите на адрес [www.skil.com](http://www.skil.com))

## ОПАЗВАНЕ НА ОКОЛНАТА СРЕДА

- Не изхвърляйте електроуредите, приспособленията и опаковките заедно с битови отпадъци (само за страни от ЕС)
  - съобразно Директивата на ЕС 2012/19/EG относно износени електрически и електронни уреди и отразяването ѝ в националното законодателство износените електроуреди следва да се събират отделно и да се предават за рециклиране според изискванията за опазване на околната среда
  - за това указва символът ⑱ тогава когато трябва да бъдат унищожени

## ДЕКЛАРАЦИЯ ЗА СЪОТВЕТСТВИЕ CE

- С пълна отговорност ние декларираме, че описаният в "Технически данни" продукт съответства на следните стандарти или нормативни документи: EN 60745, EN 61000, EN 55014 съгласно изискванията на директиви 2004/108/EG, 2006/42/EG, 2011/65/EC, 2009/125/EG (ЕС регулация 1194/2012)
- Подробни технически описания при: SKIL Europe BV (PT-SEU/ENG1), 4825 BD Breda, NL

Marijn van der Hoofden  
Operations & Engineering

Olaf Dijkgraaf  
Approval Manager




SKIL Europe BV, 4825 BD Breda, NL

05.09.2014

## ШУМ/ВИБРАЦИИ

- Измерено в съответствие с EN 60745 нивото на звуково налягане на този инструмент е 84 dB(A) а нивото на звукова мощност е 95 dB(A) (стандартно отклонение: 3 dB), а вибрациите са 4,4 m/c<sup>2</sup> (метод ръка-рамо; неопределеност K = 1,5 m/c<sup>2</sup>)
  - Нивото на предадените вибрации е измерено в съответствие със стандартизирания тест, определен в EN 60745; то може да се използва за сравнение на един инструмент с друг и като предварителна оценка на подлагането на вибрации при използването на инструмента за посочените приложения
    - използването на инструмента за различни от тези приложения или с други, или лошо поддържани аксесоари може значително **да повиши** нивото на което сте подложени
    - периодите от време, когато инструмента е изключен или съответно включен, но с него не се работи в момента могат значително **да намалят** нивото на което сте подложени
- ! предупреждавайте се от ефектите от вибрациите, като поддържате инструмента и аксесоарите му, пазете ръцете си топли и организирате вашите модели на работа**

SK

## Horná fréza

1840

## ÚVOD

- Tento nástroj sa má používať na frézovanie žliabkov, hrán, profilov a predĺžených otvorov v dreve, plastickom materiáli a v ľahkých stavebných materiáloch ako aj na kopírovanie obrysov
- Tento nástroj nie je vhodný pre profesionálne použitie
- Svetlo tohto elektrického náradia je určené na to, aby osvetľovalo priamu pracovnú oblasť elektrického náradia a nie je vhodné na osvetľovanie priestorov v domácnosti
- Prečítajte a uschovajte tento návod na použitie ③

## TECHNICKÉ ÚDAJE ①

### ČASTI NÁSTROJA ②

- A Poistka na hriadelí
- B Matica upinacej vložky
- C Klúč
- D Hľbkový doraz
- E Gombík jemného nastavenia
- F Hlavič s hľbkovou zádržkou
- G Nastavovací gombík (hľbkový doraz)
- H Páčka uzamykací
- J Koliesko na nastavovanie rýchlosti
- K Adaptér pre vysávač
- L Spínač zapnutie/vypnutie
- M Gombík na uzamknutie vypínača
- N Nastavovací gombík (rukoväť)
- O LED-kontrolky
- P Doska adaptéra
- Q Vodičko pre pozdĺžne rezanie
- R Platňa základne

- S Vetracie štrbiny
- T Posuvné tyče
- V Tyč bočného vodidla
- W Gombík pre nastavenie pozdĺžneho rezania
- X Kolík bočného vodidla
- Y Křídlová matica bočného vodidla
- Z Kruhová zádržka

## BEZPEČNOST'

### VŠEOBECNÉ BEZPEČNOSTNÉ POKYNY

**⚠ POZOR! Prečítajte si všetky výstražné upozornenia a bezpečnostné pokyny.** Zanedbanie dodržiavania výstražných upozornení a pokynov uvedených v nasledujúcom texte môže mať za následok zásah elektrickým prúdom, spôsobiť požiar a/alebo ťažké poranenie. **Tieto výstražné upozornenia a bezpečnostné pokyny starostlivo uschovajte na budúce použitie.** Pojem ručné "elektrické náradie" používaný v nasledujúcom texte sa vzťahuje na ručné elektrické náradie napájané zo siete (s prírodnou šnúrou) a na ručné elektrické náradie napájané akumulátorovou batériou (bez prírodnej šnúry).

### 1) BEZPEČNOST' NA PRACOVISKU

- Udržujte svoje pracovisko čisté a upratané.** Neporiadok na pracovisku alebo neosvetlené časti pracoviska môžu viesť k úrazom.
- Nepracujte elektrickým náradím v prostredí ohrozenom výbuchom, v ktorom sa nachádzajú horľavé kvapaliny, plyny alebo prach.** Elektrické náradie produkuje iskry, ktoré môžu prach alebo pary zapáliť.
- Deti a iné osoby udržiavajte počas práce od ručného elektrického náradia v dostatočnej vzdialenosti.** V prípade odpútania Vašej pozornosti by ste mohli stratiť kontrolu nad náradím.

### 2) ELEKTRICKÁ BEZPEČNOST'

- Zástrčka prírodnej šnúry sa musí hodiť do napájacej zásuvky. Zástrčka sa v žiadnom prípade nesmie meniť. Pri uzemnených spotrebičoch nepoužívajte spolu s nimi žiadne adaptéry.** Nezmenená zástrčka a vhodná zásuvka znižujú riziko zásahu elektrickým prúdom.
- Vyhýbajte sa telesnému kontaktu s povrchovými plochami uzemnených spotrebičov, ako sú elektrické rúry, vyhrievacie telesá, sporáky a chladničky.** Keď je Vaše telo uzemnené, riziko zásahu elektrickým prúdom je vyššie.
- Chráňte ručné elektrické náradie pred dažďom a vlhkom.** Vniknutie vody do ručného elektrického náradia zvyšuje riziko zásahu elektrickým prúdom.
- Nepoužívajte prírodnú šnúru na prenášanie náradia, na jeho vešanie, ani za ňu nevyťahujte zástrčku zo zásuvky. Prírodnú šnúru chráňte pred horúčkovou, olejom, ostrými hranami alebo pohybujúcimi sa časťami náradia.** Poškodené alebo zauzlené šnúry zvyšujú riziko zásahu elektrickým prúdom.
- Ak pracujete s ručným elektrickým náradím vonku, používajte len také predĺžovacie šnúry, ktoré sú schválené pre používanie vo vonkajších**

**priestoroch.** Používanie predlžovacej šnúry určenej do vonkajšieho prostredia znižuje riziko zásahu elektrickým prúdom.

- f) **Ak sa nedá vyhnúť použitiu ručného elektrického náradia vo vlhkom prostredí, použite prerušovač uzemňovacieho obvodu.** Používanie prerušovača uzemňovacieho obvodu znižuje riziko zásahu elektrickým prúdom.

### 3) BEZPEČNOSŤ OSÔB

- a) **Buďte pozorní, dávajte pozor na to, čo robíte a k práci s elektrickým náradím pristupujte rozumne. Nepoužívajte elektrické náradie, keď ste unavení alebo keď ste pod vplyvom drog, alkoholu alebo liekov.** Chvíľa nepozornosti pri používaní náradia môže viesť k vážnym poraneniam.
- b) **Noste osobné ochranné pomôcky, ochranný odev a vždy majte nasadené ochranné okuliare.** Nosenie pracovného odevu a používanie ochranných pomôcok ako ochrannej dýchacej masky, bezpečnostných protišmykových topánok, prílby alebo chrániča sluchu, podľa druhu elektrického náradia, znižuje riziko poranenia.
- c) **Vyhýbajte sa neúmyselnému uvedeniu ručného elektrického náradia do činnosti. Pred zasunutím zástrčky do zásuvky a/alebo pred pripojením akumulátora, pred chytením alebo prenášaním ručného elektrického náradia sa vždy presvedčte sa, či je ručné elektrické náradie vypnuté.** Ak budete mať pri prenášaní ručného elektrického náradia prst na vypínači, alebo ak ručné elektrické náradie pripojíte na elektrickú sieť zapnuté, môže to mať za následok nehodu.
- d) **Skôr ako ručné elektrické náradie zapnete, odstráňte nastavovacie a montážne nástroje.** Nástroj alebo kľúč, ktorý sa nachádza v pohyblivej časti náradia, môže spôsobiť poranenie.

- e) **Neprečeňujte sa. Zabezpečte si pevný postoj a neprestajne udržiavajte rovnováhu.** Takto budete môcť ručné elektrické náradie v neočakávaných situáciách lepšie kontrolovať.

- f) **Pri práci noste vhodný pracovný odev. Nenoste široké odevy a nemajte na sebe šperky. Dbajte na to, aby ste mali vlasy, odev a rukavice v dostatočnej vzdialenosti od pohybujúcich sa častí náradia.** Pohybujúce sa časti náradia by mohli zachytiť voľné oblečenie, šperky alebo dlhé vlasy.

- g) **Ak možno namontovať zariadenie na odsávanie alebo zachytávanie prachu, presvedčte sa, či je pripojené a správne používané.** Používanie odsávacieho zariadenia a zariadenia na zachytávanie prachu znižuje riziko ohrozenia zdravia prachom.

### 4) STAROSTLIVÉ ZAOBCHÁDZANIE S ELEKTRICKÝM NÁRADÍM A JEHO POUŽÍVANIE

- a) **Náradie nepreťažujte. Pre svoju prácu používajte určené elektrické náradie.** Pomocou vhodného ručného elektrického náradia budete môcť v uvedenom rozsahu výkonu pracovať lepšie a bezpečnejšie.
- b) **Nepoužívajte žiadne ručné elektrické náradie, ktoré má pokazený vypínač.** Ručné elektrické náradie, ktoré sa už nedá zapínať alebo vypínať, je nebezpečné a treba ho dať opraviť.
- c) **Skôr ako začnete náradie nastavovať alebo prestavovať, vymieňať príslušenstvo alebo skôr,**

**ako odložíte náradie, vždy vytiahnite zástrčku sieťovej šnúry zo zásuvky.** Toto bezpečnostné opatrenie zabraňuje neúmyselnému spusteniu náradia.

- d) **Nepoužívané ručné elektrické náradie uschovávajú mimo dosahu detí. Nedopusťte, aby ručné elektrické náradie používali osoby, ktoré s ním nie sú dôkladne oboznámené, alebo ktoré si neprečítali tento Návod na používanie.** Ak ručné elektrické náradie používajú neskúsené osoby, stáva sa nebezpečným nástrojom.
- e) **Elektrické náradie starostlivo ošetrte. Skontrolujte, či pohyblivé súčiastky náradia bezchybne fungujú a neblokujú a či nie sú zlomené alebo poškodené niektoré súčiastky, ktoré by mohli negatívne ovplyvniť fungovanie ručného elektrického náradia. Pred použitím ručného elektrického náradia dajte poškodené súčiastky opraviť.** Nejednen úraz bol spôsobený zle udržiavaným náradím.
- f) **Používané nástroje udržiavajte ostré a čisté.** Starostlivo ošetrované nástroje s ostrými reznými hranami sa menej často zablokujú a ich vedenie je podstatne ľahšie.

- g) **Používajte ručné elektrické náradie, príslušenstvo, pracovné nástroje a pod. podľa týchto pokynov. Zohľadnite pritom konkrétne pracovné podmienky a činnosť, ktorú máte vykonať.** Používanie ručného elektrického náradia na iné ako určené účely môže viesť k nebezpečným situáciám.

### 5) SERVIS

- a) **Ručné elektrické náradie zverte do opravy len kvalifikovanému personálu a používajte len originálne náhradné súčiastky.** Tým sa zabezpečí zachovanie bezpečnosti ručného elektrického náradia.

## BEZPEČNOSTNÉ POKYNY PRE HORNÉ FRÉZY

### VŠEOBECNE

- Tento nástroj by nemali používať osoby mladšie ako 16 rokov
- **Pri nastavovaní alebo výmene príslušenstva vždy vytiahnite prívodný kábel zo zásuvky**

### PRÍSLUŠENSTVO

- SKIL zabezpečí hladký chod nástroja len ak sa používa pôvodné príslušenstvo
- Používajte iba príslušenstvo, u ktorého hodnota prípustných obrátok zodpovedá minimálne najvyšším obrátkam náradia
- Nepoužívajte poškodené alebo deformované frézovacie hroty
- Používajte len ostré frézovacie hroty
- Chráňte kotúče pred nárazom, otrasom a mastnotou
- Tento nástroj používajte len frézovacími hrotmi z vysoko-rýchlostnej ocele (HSS) alebo s karbidovou špičkou (CUT)

### PRED POUŽITÍM

- Zabránite poškodeniu náradia skrutkami, klincami a inými kovovými predmetmi v obrobku; zoberte ich dole prv než začnete pracovať
- Vždy skontrolujte či je napájacie napätie rovnaké ako napätie uvedené na štítku nástroja (nástroj s menovitým napätím 230V alebo 240V môžete pripojiť aj do siete s napätím 220V)

- **Neobrábajte materiál, ktorý obsahuje azbest** (azbest sa považuje za rakovinotvorný materiál)
- **Obrábaný predmet upevnite svorkami alebo iným praktickým spôsobom k stabilnému podstavcu** (obrábaný predmet nedržte iba v rukách ani oproti telu, pretože tak nemôžete zabezpečiť jeho stabilitu a môže sa vám vymknúť spod kontroly)
- Neupevňujte nástroj do zveráka
- Používajte úplne odmotanú a bezpečnú predlžovaciu šnúru s kapacitou 16 A
- Hlasitosť zapnutého prístroja môže byť viac aké 85 dB(A); chráňte si uši ochrannými kryciami prostriedkami
- Prach z materiálu, akým je náter obsahujúci olovo, niektoré druhy dreva, minerály a kovy môže byť škodlivý (styk alebo nadýchanie prachu môže spôsobiť alergické reakcie a/alebo respiračné ochorenia obsluhy a okolostojacich osôb); **používajte ochrannú masku tváre a pracujte so zariadením na odsávanie prachu, ak je takéto zariadenie možné pripojiť**
- Určité druhy prachu sú klasifikované ako karcinogénne (akým dubový a bukový prach), a to hlavne v spojení s prísadami pre úpravu dreva; **používajte ochrannú masku tváre a pracujte so zariadením na odsávanie prachu, ak je takéto zariadenie možné pripojiť**
- Dodržujte stanovené nariadenia pre prácu v prašnom prostredí
- Pri zapínaní do zástrčky sa vždy uistite, že nástroj je vypnutý

#### POČAS PRÁCE

- **Elektrické náradie držte za izolované plochy rukoväti, pretože rezný nástroj by sa mohol dotknúť vlastnej prírodnej šnúry** (kontakt s vodičom pod napätím, spôsobí, že aj kovové súčiastky náradia sa dostanú pod napätie, čo môže spôsobiť zásah operátora elektrickým prúdom)
- Elektrickú šnúru udržiujte vždy mimo pohybujúcich sa častí nástroja; elektrickú šnúru vždy smerujte dozadu, mimo nástroja
- Nikdy nepoužívajte nástroj ak je šnúra alebo doska základne R ② (= ochranná doska) poškodená, dajte si poškodenú časť vymeniť kvalifikovanou osobou
- Keď je nástroj zapnutý, dajte pozor aby ste nemali ruky v blízkosti frézovacieho hrotu
- Nikdy nerežte hlbšie ako je maximálna dovolená hĺbka rezu pre daný hrot
- V prípade elektrickej alebo mechanickej poruchy zastavte okamžite nástroj a vytiahnite zástrčku z nástennej zásuvky
- Nástroj musíte ihneď vypnúť ak sa nehýbe hladko lebo je frézovací hrot zablokovaný
- V prípade prerušenej dodávky prúdu alebo náhodného odpojenia z elektrickej siete hneď okamžite vypnite nástroj, aby sa predišlo náhodnému zapnutiu
- Na nástroj nevyvíjajte taký tlak, ktorý spôsobí jeho zastavenie

#### PO PRÁCI

- Keď dokončíte prácu, uvoľnite páčku H ②, nastavte nástroj späť do horného začiatočného stavu a hnástroj vypnite

## POUŽITIE

- Montovanie/odmontovanie frézovacieho hrotu ④
  - ! nástroj vypnite a vytiahnite zo zásuvky
  - ! dajte pozor aby bol hriadeľ hrotu úplne čistý
  - ! dajte pozor aby sa upínacia vložka hodila veľkosťou (6 mm, 8 mm) na veľkosť hriadeľa hrotu
  - otočte nástroj naopak
  - zamknite hriadeľ zatlačením poistky na hriadeľ A (podľa potreby otočte maticu B na upínacej vložke) a držte ju
- **MONTOVANIE:**
  - uvoľnite maticu upínacej vložky B s kľúčom na maticu C
  - vložte hrot 3/4 do upínacej vložky
  - pevne priťahnite maticu upínacej vložky firmy s kľúčom na maticu C
- **ODMONTOVANIE:**
  - uvoľnite maticu upínacej vložky B s kľúčom na maticu C
  - odstráňte hrot
  - uvoľnite poistku na hriadeľ A
  - ! frézovací hrot uvoľnite ľahšie ak poklopete maticu upínacej vložky kľúčom na maticu ⑤
  - ! aby sa upínacia vložka nepoškodila nikdy nepriťahnite maticu upínacej vložky ak v nej nie je frézovací hrot
- Ako vymeniť upínaciu vložku
  - ! nástroj vypnite a vytiahnite zo zásuvky
  - ! dajte pozor aby bol hriadeľ upínacej vložky úplne čistý
  - uvoľnite maticu upínacej vložky B o 2 alebo 3 otáčky
  - na maticu upínacej vložky B poklepte kľúčom C
  - odstráňte maticu upínacej vložky B a upínaciu vložku (zamknite hriadeľ)
  - otočte nástroj naopak
  - na hriadeľ upínacej vložky vložte novú upínaciu vložku
  - namontujte maticu upínacej vložky B (zamknite hriadeľ)
  - ! aby sa upínacia vložka nepoškodila nikdy nepriťahnite maticu upínacej vložky ak v nej nie je frézovací hrot
- Nastavenie frézovacej hĺbky ⑥
  - ! nástroj vypnite a vytiahnite zo zásuvky
  - dbajte na to, aby tyčka mierky hĺbky D vytýčala približne 3 mm (použite gombík jemného nastavenia E) ⑥a
  - hlavicu F otočte tak, aby jej najvyššia poloha zacvakla na miesto priamo pod mierkou hĺbky D (na vynulovanie) ⑥b
  - uvoľnite gombík G tak, aby mierka hĺbky D klesla na hlavicu hĺbkovej zarážky F ⑥b
  - položte nástroj na obrábaný kus
  - povoľte zaisťovaciu páčku H ⑥c
  - stlačte nástroj smerom dole až kým sa frézovací hrot dotkne opracovaného kusu a priťahnite kridlovú maticu ⑥d
  - utiahnite zaisťovaciu páčku H ⑥e
  - hĺbka frézovania je teraz nastavená na 0 mm (poznajte si hodnotu uvedenú na mierke hĺbky)
  - zdvihnite mierku hĺbky D a o toľko mm, aká má byť požadovaná hĺbka frézovania, a utiahnite koliesko G ⑥f

- povolte zaistovacia páčka H a ved'te nástroj znova nahor
- použite gombík jemného nastavenia E na presnejšie nastavenie hĺbky frézovania (0–10 mm)
- pomocou hlavice hĺbkovej zarážky F je možné zvýšiť hĺbku frézovania o 5 alebo 10 mm
- ! **po zmene špičiek frézky znova nastavte hĺbku frézovania**
- Kontrola rýchlosti ⑦  
Na dosiahnutie optimálnych výsledkov frézovania rozličných materiálov
  - pomocou kolieska J nastavte frézovacie otáčky (aj pri spustenom nástroji)
  - ako referenciu na určenie správnych frézovacích otáčok použite tabuľku ⑧
  - pred začatím práce zistíte optimálne otáčky testovaním na náhradnom materiáli
- ! **po dlhšej práci pri nízkych otáčkach nechajte nástroj ochladíť na približne 3 minúty prevádzkou pri vysokých otáčkach a bez zaťaženia**
- Odsávanie prachu ⑨
  - na adaptér K nasuňte odsávaciu hadicu
  - ! **nikdy nedovoľte, aby hadica vysávača zasahovala do frézky**
- Prevádzka nástroja ⑩
  - nastavte frézováciu hľbku
  - ! **vždy držte nástroj pevne oboma rukami**
  - ! **počas práce vždy držte nástroj v oblasti sivého držadla (iel)**
  - položte nástroj na obrábaný kus
  - nástroj zapnete stlačením vypínača L
  - spínač zablokujte pre priebežné použitie stlačením tlačidla M
  - ! **prv než sa frézovací hrot dotkne opracovaného kusu by mal nástroj bežať pri plnej rýchlosti**
  - povolte zaistovacia páčka H a pomaly stlačte nástroj smerom dole až kým mierka hĺbky D nedosiahne hlavice hĺbkovej zarážky F
  - utiahnite zaistovacia páku H
  - preved'te frézovanie rovnomernou rýchlosťou
  - nástroj používajte tak, aby základná doska ležala rovno na opracovanom kuse
  - všeobecné pravidlo je, že nástroj by sa mal ťahať a nie tlačiť
  - zaistenie uvoľnite opätovným stlačením vypínača L a jeho uvoľnením
  - keď dokončíte prácu, uvoľnite páčku H a nastavte nástroj späť do horného začiatočného stavu
- Nastavenie polohy rukoväte ⑪
  - odistite obe rukoväte posunutím koliesok N do vonkajšej polohy, držte ich a otočte rukoväť do požadovanej polohy
  - povolte obe kolieska N kým nezaskočia (možné 4 polohy)
- Správne smerovanie
  - nezabudnite, že frézovací hrot sa otáča v smere hodinových ručičiek
  - smerujte nástroj tak aby sa hrot točil smerom do opracovaného kusu a nie preč od neho
- Montovanie dosky adaptéra P (na kopírovanie so šablónou) ⑬

- Montovanie ohrady na rezanie Q ⑭
  - vložte tyče na ohradu V cez otvory v doske základne R
  - ohradu na rezanie posuňte na požadovanú šírku a upevnite ju pomocou 2 gombíkov W
- Použitie ohrady na rezanie ako kruhového vodidla ⑮
  - ! **ohradu na rezanie najprv obráťte naopak**
  - kolík X upevnite pomocou matice s krídelkami Y podľa obrázka
  - tyče V vložte do dosky základne R
  - kolík X zarazte do označeného stredu kruhového oblúka
  - ohradu na rezanie upevnite pomocou 2 gombíkov W
  - nástroj ved'te stálym posúvaním cez obrábaný kus
- Použitím ohrady na rezanie s kruhovou zarážkou Z ⑯
  - kruhovú zarážku Z (s namontovaným vodiacim valčekom) namontujte podľa obrázka
  - nástroj ved'te pozdĺž hrany obrábaného kusu ľahkým bočným tlakom

## RADU NA POUŽITIE

- Na rezanie v paralelnom smere ako je strana opracovaného kusu použite ohradu na rezanie
- Na rezanie v paralelnom smere v opracovanom kuse ďaleko od hrany ⑩
  - pripevnite rovný kus dreva dvomi svorkami na opracovaný kus
  - usmernite nástroj so základnou doskou tak aby kryla hranu dreva, ktoré teraz slúži ako ohrada
- Keď používate hroty s vodiacim čapom alebo s guľičkovým ložiskom by sa čap alebo ložisko mali posúvať pozdĺž hrany opracovaného kusu, ktorý by mal byť úplne hladký ⑰
- Pre väčšie frézovacie hĺbky sa odporúča aby sa previedlo niekoľko opakovaných rezov odoberajúcich menej z hĺbky kusu

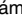
## ÚDRŽBA / SERVIS

- Tento nástroj nie je vhodný pre profesionálne použitie
- Nástroj a sieťovú šnúru udržiajte stále čistou (zvlášť vetracie štrbiny S ②)
- Občas namažte zasúvacie tyče T ②
- Ak by nástroj napriek starostlivej výrobe a kontrole predsa len prestal niekedy fungovať, treba dať opravu vykonať autorizovanej servisnej opravovni elektrického náradia SKIL
  - pošlite nástroj **bez rozmontovania** spolu s dôkazom o kúpe; vášmu dilerovi alebo do najbližšieho servisného strediska SKIL (zoznam adries servisných stredísk a servisný diagram nástroja sú uvedené na [www.skil.com](http://www.skil.com))

## ŽIVOTNÉ PROSTREDIE

- **Elektrické náradie, príslušenstvo a balenia nevyhadzujte do komunálneho odpadu** (len pre štáty EÚ)
  - podľa európskej smernice 2012/19/EG o nakladaní s použitými elektrickými a elektronickými zariadeniami a zodpovedajúcich ustanovení právnych predpisov jednotlivých krajín sa použité elektrické náradie musí

zbrať oddelene od ostatného odpadu a podrobiť ekologicky šetrnej recyklácii

- pripomenie vám to symbol , keď ju bude treba likvidovať

## VYHLÁSENIE O ZHODE CE

- Na vlastnú zodpovednosť vyhlasujeme, že dole popísaný výrobok "Technické údaje" sa zhoduje s nasledujúcimi normami alebo normatívnymi dokumentami: EN 60745, EN 61000, EN 55014 podľa ustanovení smerníc 2004/108/EG, 2006/42/EG, 2011/65/EU, 2009/125/EG (EU predpis 1194/2012)
- **Súbor technickej dokumentácie sa nachádzajú na adrese:** SKIL Europe BV (PT-SEU/ENG1), 4825 BD Breda, NL

Marijn van der Hoofden  
Operations & Engineering

Olaf Dijkgraaf  
Approval Manager



SKIL Europe BV, 4825 BD Breda, NL

05.09.2014

## HLUKU/VIBRÁCIÁCH

- Merané podľa EN 60745 je úroveň akustického tlaku tohto nástroja 84 dB(A) a úroveň akustického výkonu je 95 dB(A) (štandardná odchýlka: 3 dB), a vibrácie sú 4,4 m/s<sup>2</sup> (metóda ruka - paža; nepresnosť K = 1,5 m/s<sup>2</sup>)
- Hladina emísií od vibrácií bola nameraná v súlade s normalizovaným testom uvedeným v norme EN 60745; môže sa používať na vzájomné porovnávanie náradí a na predbežné posúdenie vystavenia účinkom vibrácií pri používaní náradia pre uvedené aplikácie
- používanie náradia na rôzne aplikácie, alebo v spojení s rôznymi alebo nedostatočne udržiavanými doplnkami môže značne **zvýšiť** úroveň vystavenia
- časové doby počas ktorých je je náradie vypnuté alebo počas ktorých náradie beží ale v skutočnosti nevykonáva prácu môžu značne **znižovať** úroveň vystavenia

**! chráňte sa pred účinkami vibrácií tak, že budete náradie a jeho príslušenstvo správne udržiavať, tak že nebudete pracovať so studenými rukami a tak že si svoje pracovné postupy správne zorganizujete**

HR

Glodalica

1840

## UVOD

- Alat je namierený glodanju žlijebova, obradi rubova, profila te produbljanju rupa u drvenim, plastičnim i lakim građevnim materijalima, kao i kopiranj
- Ovaj uređaj nije namijenjen profesionalnoj upotrebi
- Svjetlo na električnom alatu namijenjeno je za izravno osvjetljavanje područja rada električnog alata i nije

primjereno kao sredstvo za rasvjetu prostorije u domaćinstvu

- Pažljivo pročítajte i sačuvajte ove upute za rukovanje 


## TEHNIČKI PODACI

### DIJELOVI ALATA

- A Brava glodalca
- B Matica stezne čeljusti
- C Ključ
- D Graničnik dubine bušenja
- E Vijak za fino ugađanje
- F Graničnika dubine - objumice
- G Gumb za ugađanje (graničnik dubine bušenja)
- H Ručica za zaključavanje
- J Kotačić za odabir brzine
- K Nastavak za usisivač
- L Prekidač uključeno/isključeno
- M Gumb za blokiranje prekidača
- N Gumb za ugađanje (ručka)
- O LED lampice
- P Adapterska ploča
- Q Bočni graničnik
- R Osnovna ploča
- S Otvori za strujanje zraka
- T Tračnice
- V Šipke bočnog graničnika
- W Gumb za podešavanje graničnika
- X Klin bočnog graničnika
- Y Krilna matica bočnog graničnika
- Z Zavinita šablona

## SIGURNOST

### OPĆE UPUTE ZA SIGURAN RAD

** PAŽNJA! Treba pročítati sve napomene o sigurnosti i upute.** Ako se ne bi pošivala napomene o sigurnosti i upute to bi moglo uzrokovati strujni udar, požar i/ili teške ozljede. **Sačuvajte sve napomene o sigurnosti i upute za budući primjenu.** U daljnjem tekstu korišten pojam "električni alat" odnosi se na električne alate s priključkom na električnu mrežu (s mrežnim kabelom) i na električne alate s napajanjem iz aku baterije (bez mrežnog kabela).

### 1) SIGURNOST NA RADNOM MJESTU

#### a) Vaše radno područje održavajte čisto i uredno.

Nered ili neosvijetljeno radno područje mogu doći do nezgoda.

#### b) S uređajem ne radite u okolini ugroženoj

eksplozijom, u kojoj se nalaze zapaljive tekućine, plinovi ili prašina. Električni alati proizvode iskre koje mogu zapaliti prašinu ili pare.

#### c) Djecu i ostale osobe držite dalje tijekom korištenja električnog alata. Ako bi skrenuli pozornost sa posla mogli bi izgubiti kontrolu nad uređajem.

### 2) ELEKTRIČNA SIGURNOST

#### a) Priključni utikač uređaja treba odgovarati utičnici.

Na utikaču se ni u kojem slučaju ne smiju izvoditi izmjene. Ne koristite adapterske utikače zajedno sa uređajima koji su zaštićeni uzemljenjem. Originalni

utikač i odgovarajuće utičnice smanjuju opasnost od električnog udara.

- b) **Izbjegavajte dodir tijela s uzemljenim površinama kao što su cijevi, centralno grijanje, štednjaci i hladnjaci.** Postoji povećana opasnost od električnog udara ako je vaše tijelo uzemljeno.
- c) **Držite uređaj dalje od kiše ili vlage.** Prodiranje vode u električni uređaj povećava opasnost od električnog udara.
- d) **Priključni kabel ne koristite za nošenje, vješanje ili za izvlačenje utikača iz utičnice. Držite kabel dalje od izvora topline, ulja, oštih rubova ili pomičnih dijelova uređaja.** Oštećen ili usukan kabel povećava opasnost od električnog udara.
- e) **Ako s električnim uređajem radite na otvorenom, koristite samo produžni kabel odobren za uporabu na otvorenom.** Primjena produžnog kabela prikladnog za uporabu na otvorenom smanjuje opasnost od električnog udara.
- f) **Ako se ne može izbjeći uporaba električnog alata u vlažnoj okolini, upotrijebite sigurnosna sklopka za propuštanje u zemlju.** Upotrebom sigurnosne sklopke za propuštanje u zemlju smanjuje se opasnost od električnog udara.

### 3) SIGURNOST LJUDI

- a) **Budite oprezni, pazite što činite i postupajte razumno kod rada s električnim alatom. Ne koristite uređaj ako ste umorni ili pod utjecajem opojnih sredstava, alkohola ili lijekova.** Trenutak nepažnje kod uporabe uređaja može doći do ozbiljnih ozljeda.
  - b) **Nosite sredstva osobne zaštite i uvijek zaštitne naočale.** Nošenje sredstava osobne zaštite, kao što je zaštitna maska, sigurnosne cipele koje ne klize, zaštitne kacige ili štitnika za sluh, ovisno od vrste i primjene električnog alata, smanjuje opasnost od nezgoda.
  - c) **Izbjegavajte nehotično puštanje u rad. Prije nego što ćete utaknuti utikač u utičnicu i/ili staviti aku-bateriju, provjerite je li električni alat isključen.** Ako kod nošenja električnog alata imate prst na prekidaču ili se uključen uređaj priključi na električno napajanje, to može dovesti do nezgoda.
  - d) **Prije nego što uređaj uključite, uklonite alate za podešavanje ili vijčane ključeve.** Alat ili ključ koji se nalazi u rotirajućem dijelu uređaja može doći do nezgoda.
  - e) **Ne precjenjujte svoje sposobnosti. Zauzмите siguran i stabilan položaj tijela i držite u svakom trenutku ravnotežu.** Na taj način možete uređaj bolje kontrolirati u neočekivanim situacijama.
  - f) **Nosite prikladnu odjeću. Ne nosite široku odjeću ili nakit. Neka vaša kosa, odjeća i rukavice budu što dalje od pomičnih dijelova.** Mlohavu odjeću, nakit ili dugu kosu mogu zahvatiti pomični dijelovi uređaja.
  - g) **Ako se mogu montirati naprave za usisavanje i hvatanje prašine, provjerite da li su iste priključene i da li se pravilno koriste.** Primjena naprave za usisavanje može smanjiti ugroženost od prašine.
- ### 4) BRIŽLJIVA UPORABA ELEKTRIČNIH ALATA
- a) **Ne preopterećujte uređaj. Koristite za vaše radove za to predviđen električni alat. S odgovarajućim električnim alatom radit ćete bolje i sigurnije, u navedenom području učinka.**

- b) **Ne koristite električni alat čiji je prekidač neispravan.** Električni alat koji se više ne može uključiti ili isključiti, opasan je i treba se popraviti.
- c) **Izvučite utikač iz mrežne utičnice i/ili izvadite aku-bateriju prije podešavanja uređaja, zamjene pribora ili odlaganja uređaja.** Ovim mjerama opreza spriječit će se nehotično pokretanje uređaja.
- d) **Nekoristene električne alate spremite izvan doseg a djece. Ne dopustite da uređaj koriste osobe koje s njim nisu upoznate ili koje nisu pročitale upute za uporabu.** Električni alati su opasni ako ih koriste neiskusne osobe.
- e) **Uređaj održavajte s pažnjom. Kontrolirajte da li pomični dijelovi uređaja besprijekorno rade i da nisu zaglavljani, te da li su dijelovi polomljeni ili tako oštećeni da negativno djeluju na funkciju uređaja. Popravite oštećene dijelove prije uporabe uređaja.** Mnoge nezgode imaju svoj uzrok u loše održanim uređajima.
- f) **Rezne alate održavajte oštirim i čistim.** Pažljivo održavani rezni alati s oštirim oštricama neće se zaglaviti i lakši su za vođenje.
- g) **Koristite električne alate, pribor, radne alate, itd., prema navedenim uputama. Pri tome uzmite u obzir radne uvjete i radove koje se izvode.** Uporaba električnih alata za neke druge primjene različite od predviđenih, može doći do opasnih situacija.

### 5) SERVIS

- a) **Popravak uređaja prepustite samo kvalificiranom stručnom osoblju i samo s originalnim rezervnim dijelovima.** Na taj će se način postići održanje stalne sigurnosti uređaja.

## UPUTE ZA SIGURAN RAD S GLODALICAMA

### OPĆENITO

- Uređaj ne bi smjele koristiti osobe mlađe od 16 godina
- **Prije svih radova održavanja, podešavanja ili izmjene alata i pribora treba izvući utikač iz mrežne utičnice Pribor**
- SKIL može osigurati besprijekoran rad uređaja samo ako se koristi originalni pribor
- Upotrebljavajte pribor čija dopuštena brzina odgovara najvećoj brzini alata u praznom hodu
- Ne upotrebljavajte oštećena ili deformirana glodala
- Upotrebljavajte samo oštra glodala
- Dodatnu opremu zaštitite od udaraca, potresanja i zamašćivanja
- S ovim alatom upotrebljavajte samo HSS ili karbidna glodala

### PRIJE UPORABE

- Izbjegavajte oštećenja od vijaka, čavala i sličnih predmeta na vašem izratku; prije početka rada ih izvadite
- Uvijek provjerite je li napon napajanja isti kao onaj naveden na tipskoj pločici uređaja (uređaji označeni s 230V ili 240V mogu raditi i na 220V)
- **Ne obrađujte materijal koji sadrži azbest** (azbest se smatra kancerogenim)
- **Koristite stezaljke ili drugi praktičan način za učvršćenje i potporu izratka na stabilnoj platformi** (držanje rada rukom ili njegovo naslanjanje na tijelo čini ga nestabilnim i može dovesti do gubitka kontrole)
- Ne pritežite uređaj u škripac

- Upotrebljavajte samo neodmotane i zaštićene produžne kabele kapaciteta 16 ampera
- Razina buke kod rada može premašiti 85 dB(A); nositi štitnike za sluh
- Prašina od materijala kao što su boje koje sadrže olovo, neke vrste drveća, minerali i metal mogu biti opasne (dodir s prašinom ili njeno udisanje mogu prouzročiti alergične reakcije i/ili respiratorna oboljenja rukovatelja ili posmatrača); **nosite masku za zaštitu od prašine i radite s uređajem za ekstrakciju prašine ukoliko ga možete priključiti**
- Određene vrste prašine klasificiraju se kao karcinogenske (kao što su prašina hrastovine i bukovine), osobito u sudejstvu s aditivima za kondicioniranje drveta; **nosite masku za zaštitu od prašine i radite s uređajem za ekstrakciju prašine ukoliko ga možete priključiti**
- Nacionalni uvjeti za materijale s kojima želite raditi
- Kod priključivanja osigurati da uređaj bude isključen

#### TIJEKOM UPORABE

- **Uređaj držite samo na izoliranim ručkama jer rezač može doći u dodir s vlastitim kablom** (rezanje vodova pod naponom može metalne dijelove električnog alata staviti pod napon, a rukovatelj bi mogao pretrpjeti električni udar)
- Kabel uvijek držati dalje od rotirajućih dijelova uređaja; kabel povlačiti iza uređaja
- Nikad ne upotrebljavajte alat kad su kabel ili osnovna ploča R ② (=zaštitna površina) oštećeni; neka iz zamijeni kvalificirana osoba
- Ruke i prste držite podalje od glodala kad je alat uključen
- Pri obradi nikad ne prelazite najveću dubinu zahvata glodala
- U slučaju neuobičajenog ponašanja uređaja ili neobičnih šumova, uređaj treba odmah isključiti i izvući utikač iz mrežne utičnice
- U slučaju da je glodalo blokirano i uzrokuje trzanje alata, odmah isključite alat
- U slučaju trenutačnog prekida ili slučajnog izvlačenja utikača iz utičnice, odmah isključite alat kako biste spriječili nekontrolirano ponovno uključivanje
- Ne djelovati tolikom pritiskom na uređaj kod rada da se on zaustavi pod opterećenjem

#### NAKON UPORABE

- Po završetku rada otpustiti ručicu H ②, pomaknite alat natrag u gornji početni položaj i isključite alat

### POSLUŽIVANJE

- Ugradnja/uklanjanje glodala ④  
**! isključite uređaj i odspojite utikač**  
**! provjerite je li držak glodala besprijekorno čist**  
**! provjerite odgovara li promjer stezne čeljusti (6 mm, 8 mm) debljini drška glodala**
  - okrenite alat naopak
  - zaključajte glodalo tako da bravu glodala A (po potrebi zaokrenite maticu stezne čeljusti B) pritisnete i zadržite pritisnutu dok

#### ZA UGRADNJU:

- otpustite maticu stezne čeljusti B pomoću ključa za odvijanje C
- umetnite 3/4 glodala u steznu čeljust
- čvrsto pritegnite maticu stezne čeljusti pomoću ključa za odvijanje C

#### ZA UKLANJANJE:

- otpustite maticu stezne čeljusti B pomoću ključa za odvijanje C
- uklonite glodalo
- pustite bravu glodala A
- ! za otpuštanje glodala možda ćete maticu stezne čeljusti morati lagano udariti ključem za odvijanje ⑤**
- ! nikad ne pritežite maticu stezne čeljusti ako u čeljusti nema glodala; mogli biste oštetiti steznu čeljust**
- Zamjena stezne čeljusti  
**! isključite uređaj i odspojite utikač**  
**! provjerite je li stezna čeljust glodala besprijekorno čista**
  - otpustite maticu stezne čeljusti B za 2 ili 3 okreta
  - lagano udarite maticu stezne čeljusti B ključem za odvijanje C
  - uklonite maticu stezne čeljusti B i steznu čeljust (brava držača)
  - okrenite alat naopak
  - umetnite novu steznu čeljust u držač čeljusti
  - pričvrstite maticu stezne čeljusti B (brava držača)
  - ! nikad ne pritežite maticu stezne čeljusti ako u čeljusti nema glodala; mogli biste oštetiti steznu čeljust**
- Ugađanje dubine glodanja ⑥  
**! isključite uređaj i odspojite utikač**
  - pazite da mala šipka u mjeracu dubine D bude približno 3 mm (upotrijebite vijak za fino ugađanje E) ⑥a
  - okrenite obujmicu F tako da najviši položaj uskoči na mjesto, desno ispod mjerača dubine D (za nuliranje) ⑥b
  - otpustite vijak G tako da mjerač visine D padne na graničnik dubine-obujmicu F ⑥b
  - smjestite alat na predmet koji izrađujete
  - otpustite ručicu za zaključavanje H ⑥c
  - alat pritisćite prema dolje sve dok glodalo ne dodirne predmet koji obrađujete ⑥d
  - stegnite ručicu za zaključavanje H ⑥e
  - dubina glodanja sada je postavljena na 0 mm (zabilježite vrijednost navedenu na skali dubine)
  - podignite mjerač dubine D prema željenoj dubini glodanja i stegnite vijak G ⑥f
  - otpustite ručicu za zaključavanje H i ponovo usmjerite alat prema gore
  - pomoću vijka za fino ugađanje E postavite precizniju dubinu glodanja (0 – 10 mm)
  - pomoću graničnika dubine – obujmice F možete povećati dubinu glodanja za 5 ili 10 mm
  - ! ponovno podesite dubinu glodanja nakon promjene svrdla**
- Kontrola brzine ⑦  
 Za optimalne rezultate glodanja na različitim materijalima
  - pomoću kotačića J odaberite brzinu glodanja (to je moguće napraviti i tijekom rada alata)
  - kao referencu za određivanje pravilne brzine glodanja upotrijebite tablicu ⑧
  - prije započinjanja s radom pronađite optimalnu brzinu isprobavajući brzine na suvišnom materijalu



- ! nakon dužih razdoblja rada pri nižim brzinama ohladite alat tako da mu omogućite da otprilike 3 minute radi pri velikoj brzini bez opterećenja
- Usisavanje prašine ⑨
  - priključiti usisavač na nastavak K
  - ! pazite da crijevo usisavača nikada ne ometa glodanje
- Posluživanje uređaja ⑩
  - prilagodite dubinu glodanja
  - ! alat uvijek čvrsto držite objema rukama
  - ! alat kod primjene, držati samo na sivo označenim područjima
  - smjestite alat na predmet koji izrađujete
  - uređaj uključite povlačenjem prekidača L
  - zaključajte prekidač za trajniju upotrebu pritiskom na gumb M
  - ! prije nego što glodalica dosegne predmet koji obrađujete, alat bi trebao raditi pri punoj brzini
  - otpustite ručicu za zaključavanje H i polako potisnite alat prema dolje dok mjerač dubine D ne dođe do graničnika dubine – obujmice F
  - stegnite ručicu za zaključavanje H
  - izvršite postupak glodanja primjenjujući jednoličan posmak
  - upotrebljavajte alat dok mu je osnovna ploča ravno položena na predmet koji obrađujete
  - osnovno pravilo je da se alat treba vući, a ne gurati
  - prekidač otključajte tako da prekidač L ponovo povučete, a zatim otpustite
  - po završetku rada otpustiti ručicu H i pomaknite alat natrag u gornji početni položaj
- Podešavanje položaja ručice ⑪
  - otključajte obje ručice kliznim vijcima N u vanjski položaj i zadržite ih dok okrećete ručice u željeni položaj
  - otpuštajte oba vijka N dok ne uskoče i zaključaju se (moguća su 4 položaja)
- Pravilno vođenje
  - imajte na umu da se glodalo okreće u smjeru kazaljke na satu
  - vodite alat tako da glodalo ulazi u predmet koji obrađujete, a ne od njega
- Ugradnja ploče za adaptiranje P (za kopiranje s predloškom) ⑬
- Ugradnja vodilice glodala Q ⑭
  - provucite šipke vodilice glodala V kroz rupe na osnovnoj ploči R
  - pomaknite vodilicu glodala do željene širine i pričvrstite je pomoću 2 vijka W
- Upotreba vodilice glodala kao kružne vodilice ⑮
  - ! prvo okrenite vodilicu glodala
  - krilnom maticom Y pričvrstite klin X kao na ilustraciji
  - umetnite šipke V u osnovnu ploču R
  - provucite klin X kroz označeno središte kružnog luka
  - pričvrstite vodilicu glodala pomoću 2 vijka W
  - alat ujednačenim posmakom vodite preko predmeta koji obrađujete
- Upotreba vodilice glodala pomoću zavinute šablone Z ⑯
  - montirajte zavinutu šablonu Z (s montiranim kotačićima vodilice) kao na ilustraciji
  - laganim bočnim pritiskom vodite alat duž ruba predmeta koji obrađujete

## SAVJETI ZA PRIMJENU

- Za ureze paralelne sa stranicom predmeta koji obrađujete upotrijebite vodilicu glodala
- Za izradu paralelnih ureza u predmetu koji obrađujete daleko od ruba ⑩
  - na predmet koji obrađujete pomoću 2 škripca pričvrstite ravan komad drva
  - vodite alat s osnovnom pločom smještenom duž ruba drva koje sad ima funkciju vodilice glodala
- Kad glodala koristite s valjkastim ili kugličnim ležajem, ležaj treba kliziti duž ruba predmeta koji bi trebao biti savršeno gladak ⑰
- Za veće dubine glodanja preporučuje se izvođenje nekoliko uzastopnih ureza s manjim zahvatima

## ODRŽAVANJE / SERVISIRANJE

- Ovaj uređaj nije namijenjen profesionalnoj upotrebi
- Održavajte čistim uređaj i kabel (osobito otvore za hlađenje S ②)
- Povremeno podmažite tračnice T ②
- Ako bi uređaj unatoč brižljivim postupaka izrade i ispitivanja ipak prestao raditi, popravak treba prepustiti ovlaštenom servisu za SKIL električne alate
  - uređaj treba **nerastavljeno** predati, zajedno s računom o kupnji u najbližu SKIL ugovornu servisnu radionicu (popise servisa, kao i oznake rezervnih dijelova uređaja možete naći na adresi [www.skil.com](http://www.skil.com))

## ZAŠTITA OKOLIŠA

- **Električne alate, pribor i ambalažu ne bacajte u kućni otpad** (samo za EU-države)
  - prema Europskoj direktivi 2012/19/EG o staroj električnoj i elektroničkoj opremi i njenoj primjeni u skladu sa nacionalnim zakonom, istrošeni električni alati moraju se sakupljati odvojeno i odvesti u posebne pogone za reciklažu
  - na to podsjeća simbol ⑱ kada se javi potreba za odlaganjem

## DEKLARACIJA O SUKLADNOSTI CE

- Izjavljujemo uz punu odgovornost da je ovaj proizvod opisan u "Tehnički podaci" usklađen sa slijedećim normama ili normativnim dokumentima: EN 60745, EN 61000, EN 55014, prema odredbama smjernica 2004/108/EG, 2006/42/EG, 2011/65/EU, 2009/125/EG (EU propis 1194/2012)
- **Tehnička dokumentacija se može dobiti kod:** SKIL Europe BV (PT-SEU/ENG1), 4825 BD Breda, NL

Marijn van der Hoofden  
Operations & Engineering

Olaf Dijkgraaf  
Approval Manager




SKIL Europe BV, 4825 BD Breda, NL

05.09.2014



- b) **Nosite ličnu zaštitnu opremu i uvek zaštitne naočare.** Nošenje lične zaštitne opreme, kao maske za prašinu, sigurnosne cipele koje ne klizaju, zaštitni šlem ili zaštitu za sluh, zavisno od vrste i upotrebe električnog alata, smanjujete rizik od povreda.
- c) **Izbegavajte nenamerno puštanje u rad. Uverite se da je električni alat isključen, pre nego što ga priključite na struju i/ili na akumulator, uzmete ga ili nosite.** Ako prilikom nošenja električnog alata držite prst na prekidaču ili aparat uključujućete na struju, može ovo voditi nesrećama.
- d) **Uklonite alate za podešavanje ili ključeve za zavrtnje, pre nego što uključite aparat.** Alat ili ključ koji se nalazi u delu aparata koji se okreće, može voditi povredama.
- e) **Ne precenjajte sebe. Pobrinite se da sigurno stojite i održavajte u svako doba ravnotežu.** Na taj način možete bolje kontrolisati aparat u neočekivanim situacijama.
- f) **Nosite pogodno odelo. Ne nosite široko odelo ili nakit. Držite kosu, odelo i rukavice podalje od pokretnih delova.** Opušteno odelo, nakit ili duža kosa mogu biti zahvaćeni od rotirajućih delova.
- g) **Ako se mogu montirati uređaji za usisavanje prašine i uređaji za hvatanje prašine, uverite se da li su priključeni i ispravno koriste.** Upotreba usisavanja prašine može smanjiti opasnosti od prašine.
- 4) BRIŽLJIVO OPHODJENJE I KORIŠĆENJE ELEKTRIČNIH ALATA**
- a) **Ne preopterećujte aparat. Upotrebljavajte za Vaš posao električni alat određen za to.** Sa odgovarajućim električnim alatom radićete bolje i sigurnije u navedenom području rada.
- b) **Ne upotrebljavajte električni alat, čiji je prekidač u kvaru.** Električni alat koji više ne može da se uključi ili isključi je opasan i mora da se popravi.
- c) **Izvućite utikač iz utičnice i/ili uklonite akumulator pre nego što preduzmete podešavanja na aparatu, promenu delova pribora ili ostavite aparat.** Ova mera opreza sprečava nenamernan start aparata.
- d) **Čuvajte nekorišćene električne alate izvan domašaja dece. Ne dopustite osobama da koriste aparat, koje ga ne poznaju ili nisu pročitali ova uputstva.** Električni alati su opasni, ako ih koriste neiskusne osobe.
- e) **Održavajte aparat brižljivo. Kontrolišite, da li pokretni delovi aparata funkcionišu besprekorno i ne slepljuju, da li su delovi slomljeni ili tako oštećeni, da je funkcija aparata oštećena. Popravite oštećene delove pre upotrebe aparata.** Mnoge nesreće imaju svoj uzrok u loše održanim električnim alatima.
- f) **Držite alate za sečenja oštre i čiste.** Brižljivo negovani alati za sečenje sa oštrim sečivima manje slepljuju i lakše se vode.
- g) **Upotrebljavajte električne alate, pribor, alate koji se umeću itd. prema ovim uputstvima. Obratite pažnju pritom na uputstva za rad i posao koji treba izvesti.** Upotreba električnih alata za druge od propisanih namena može voditi opasnim situacijama.
- 5) SERVIS**
- a) **Neka Vam Vaš aparat popravlja samo kvalifikovano stručno osoblje i samo sa originalnim rezervnim**

**delovima.** Na taj način se obezbeđuje da ostane sačuvana sigurnost aparata.

## UPUTSTVA ZA BEZBEDAN RAD SA GLODALICOM

### OPŠTA

- Ovaj alat ne treba da koriste osobe ispod 16 godina
- **Obavezno iskopčajte alat iz električne utičnice pre nego što izvršite bilo kakva podešavanja ili zamenu pribora**

### PRIBOR

- SKIL može priznati garanciju samo ukoliko je korišćen originalni pribor
- Koristite samo pribor čija je dozvoljena brzina u najmanju ruku jednaka najvećoj brzini pri praznom hodu električnog alata
- Nemojte da koristite oštećena ili deformisana glodala
- Koristite samo oštra glodala
- Zaštitite pribor od potresa, udara i masnih površina
- Uz ovaj alat koristite samo glodala od čelika visoke tvrdoće (HSS) ili glodala sa vrhom od karbida (CT)

### PRE UPOTREBE

- Izbegavajte oštećenja od šrafova, eksera i drugih predmeta na vašem području rada; uklonite ih pre nego što započnete rad
- Uvek se uverite da je napon struje isti kao i napon naveden na pločici sa nazivom alatu (alati na kojima je naveden napon od 230V ili 240V mogu da rade i na 220V)
- **Ne obradjujte nikakav materijal koji sadrži azbest** (azbest važi kao izazivač raka)
- **Upotrebite stezaljke ili na drugi praktičan način učvrstite i poduprite radni predmet na stabilnu platformu** (ako radni predmet držite rukom ili ga oslonite o telo, on tada nije stabilan i može doći do gubitka kontrole)
- Nemojte da pričvršćujete alat u stegu
- Prođunite kabl koji koristite mora da bude sasvim odmotan i siguran, sa kapacitetom od 16 A
- Buka koju alat proizvodi tokom rada može da premaši 85 dB(A); nosite zaštitu za sluh
- Prašina od materijala, kao što su boja koja sadrži olovo, neke vrste drveta, minerali i metal, može biti opasna (dodir ili udisanje prašine može prouzrokovati alergijske reakcije i/ili respiratorna oboljenja rukovaoca i lica u blizini); **nosite masku protiv prašine i radite uz uključeni uređaj za ekstrakciju prašine kada radite na mestima gde ju je moguće priključiti**
- Određene vrste prašine su klasifikovane kao kancerogene (kao što su prašina hrastovine i bukovine), posebno u sadejstvu sa aditivima za pripremu drveta; **nosite masku protiv prašine i radite uz uključeni uređaj za ekstrakciju prašine kada radite na mestima gde ju je moguće priključiti**
- Prati nacionalne propise vezane za prašinu koja se proizvodi prilikom rada na obrađivanim materijalima
- Proverite da li je alat isključen kada ga prikopčavate u utičnicu

### TOKOM UPOTREBE

- **Hvatajte električni alat za izolovane hvataljke zato što rezač može da dodirne svoj kabl** (presecanje žice pod naponom može da izloži metalne delove električnog alata naponu i izazove električni udar kod rukovaoca)

- Kabl uvek držite podalje od pokretnih delova alata; uvek ga treba držati iza alata
- Nikada nemojte da koristite alat ako je oštećen kabl ili osnovna ploča R ② (=zaštitni mehanizam); zamenu mora da obavi stručno lice
- Prste i ruke držite podalje od glodala kada je alat uključen
- Nemojte nikada da pređete maksimalnu dubinu za glodanje pri radu
- U slučaju da dođe do električnog ili mehaničkog kvara, odmah isključite alat i iskopčajte ga iz utičnice
- U slučaju da se glodalo blokira, što rezultira trzanjem alata, odmah ga isključite
- U slučaju da dođe do nestanka struje ili ako se kabl slučajno iskopča, odmah isključite alat, da biste sprečili ponovo nekontrolisano uključivanje
- Nemojte mnogo da pritiskate električni alat da ne bi došlo do prestanka rada

#### NAKON UPOTREBE

- Nakon što završite rad, otpustite ručicu H ②, povucite alat unazad u gornji početni položaj i isključite ga

## UPUTSTVO ZA KORIŠĆENJE

- Postavljanje/uklanjanje glodala ④
  - ! **isključite alat i iskopčajte ga iz utičnice**
  - ! **proverite da li je osovina glodala potpuno čista**
  - ! **proverite da li veličina stezne čeljusti (6 mm, 8 mm) odgovara veličini osovine glodala**
  - okrenite alat naopačke
  - zaključajte osovinu pomeranjem brave osovine A (zarotirajte zavrtanj stezne čeljusti B, ukoliko je potrebno) i držite je dok
- ZA POSTAVLJANJE:
  - odvrnite zavrtanj stezne čeljusti B ključem C
  - stavite 3/4 glodala u steznu čeljust
  - snažno pričvrstite zavrtanj stezne čeljusti ključem C
- ZA UKLANJANJE:
  - odvrnite zavrtanj stezne čeljusti B ključem C
  - uklonite glodalo
  - otpustite bravu osovine A
  - ! **za odvrtnje glodala možda će biti potrebno da lagano udarite zavrtanj stezne čeljusti ključem ⑤**
  - ! **nemojte nikada da zavijate zavrtanj stezne čeljusti ako se glodalo ne nalazi u njoj; na taj način stezna čeljust može da se ošteti**
- Menjanje stezne čeljusti
  - ! **isključite alat i iskopčajte ga iz utičnice**
  - ! **proverite da li je osovina stezne čeljusti potpuno čista**
  - odvrnite zavrtanj stezne čeljusti B 2 ili 3 kruga
  - lagano udarite zavrtanj stezne čeljusti B ključem C
  - uklonite zavrtanj stezne čeljusti B i steznu čeljust (zaključajte osovinu)
  - okrenite alat naopačke
  - ubacite novu steznu čeljust u njenu osovinu
  - postavite zavrtanj stezne čeljusti B (zaključajte osovinu)
  - ! **nemojte nikada da zavijate zavrtanj stezne čeljusti ako se glodalo ne nalazi u njoj; na taj način stezna čeljust može da se ošteti**

- Podešavanje dubine glodanja ⑥
  - ! **isključite alat i iskopčajte ga iz utičnice**
  - mala šipka unutar merača dubine D obavezno treba da viri približno 3 mm (upotrebite dugme za fino podešavanje E) ⑥a
  - okrenite kupolu F tako da se najviša pozicija uklopi uz zvuk škljocanja na predviđenom mestu tačno ispod merača dubine D (za nulovanje) ⑥b
  - odvrnite dugme G tako da merač dubine D padne na zaustavno postolje F ⑥b
  - postavite alat na područje rada
  - otpustite polugu za blokiranje H ⑥c
  - gurajte alat nadole sve dok glodalo ne dodirne predmet koji se obrađuje ⑥d
  - zategnite polugu za blokiranje H ⑥e
  - dubina glodanja sada je podešena na 0 mm (imajte u vidu vrednost naznačenu na skali za dubinu)
  - podignite merač dubine D na onoliko mm koliko iznosi željena dubina glodanja, i zavrnite dugme G ⑥f
  - otpustite polugu za blokiranje H i povucite alat nagore
  - upotrebite dugme za fino podešavanje E da biste preciznije podesili dubinu glodanja (0–10 mm)
  - pomoću zaustavne kupole za dubinu F dubina glodanja može biti povećana za 5 ili 10 mm
  - ! **ponovo podesite dubinu glodanja posle zamene burgija glodalice**
- Kontrola brzine ⑦
  - ZA optimalne rezultate glodanja na različitim materijalima
    - izaberite brzinu glodanja pomoću točkica J (to možete uraditi i dok je alat uključen)
    - koristite ⑧ kao referencu za određivanje odgovarajuće brzine glodanja
    - pre nego što započnete posao, pronađite optimalnu brzinu pomoću testiranja na starom materijalu
    - ! **nakon dužeg perioda rada pri manjoj brzini, morate da pustite alat da se ohladi tako što će raditi oko 3 minuta na većoj brzini bez opterećenja**
- Usisavanje prašine ⑨
  - priključite usisivač na produžetak K
  - ! **nikada nemojte dozvoliti da crevo usisivača ometa operaciju glodanja**
- Rukovanje alatom ⑩
  - podesite dubinu glodanja
  - ! **alat uvek čvrsto držite sa obe ruke**
  - ! **dok radite, uvek držite alat za mesto(a) koje(a) su označena sivom bojom**
  - postavite alat na područje rada
  - uključite alat povlačenjem obarača L
  - blokirajte prekidač za neprekidnu upotrebu pritiskom na dugme M
  - ! **alat bi trebalo da radi u punoj brzini pre nego što glodalo dodirne predmet koji se obrađuje**
  - otpustite ručicu za blokiranje H i lagano gurajte alat nadole sve dok merač dubine D ne dopre do zaustavne kupole za dubinu F
  - zategnite polugu za blokiranje H
  - izvršite proceduru glodanja na istovetan način
  - koristite električni alat sa ravnom pločom na predmetu koji se obrađuje
  - opšte pravilo je da alat treba da se vuče, a ne da se gura

- otključajte prekidač ponovnim povlačenjem obarača L i otpuštanjem
- nakon što završite rad, otpustite ručicu H i povucite alat unazad u gornji početni položaj
- Podešavanje položaja drške <sup>(11)</sup>
  - otključajte obe drške povlačenjem dugmadi N prema spoljnoj poziciji i držite ih okrećući drške na željenu poziciju
  - otpuštajte oba dugmeta N dok se ne zaključaju uz zvuk škljocanja (moguće su 4 pozicije)
- Ispravno vođenje
  - imajte na umu da se glodala okreću u pravcu kazaljki na satu
  - držite alatku tako da se glodalo kreće ka predmetu koji se obrađuje, a ne u suprotnom pravcu
- Postavljanje ploče za podešavanje P (za pravljenje kopija pomoću predloška) <sup>(13)</sup>
- Postavljanje vodilice Q <sup>(14)</sup>
  - ubacite šipke vodilice V u rupe na osnovnoj ploči R
  - pustite vodilicu da sklizne na željenu dubinu i pričvrstite je pomoću 2 dugmeta W
- Korišćenje vodilice kao postolja za okretanje <sup>(15)</sup>

**! prvo okrenite vodilicu**

  - pričvrstite čiodu X pomoću zavrtnja s krilcima Y kao što je prikazano na slici
  - ubacite šipke V u osnovnu ploču R
  - probodite čiodu X kroz označeno središte luka za okretanje
  - pričvrstite vodilicu pomoću 2 dugmeta W
  - ravnomerno vucite alat po predmetu koji se obrađuje
- Korišćenje vodilice sa ublaživačem krivina Z <sup>(16)</sup>
  - postavite ublaživač krivina Z (sa postavljenim postoljem za okretanje) kao što je prikazano na slici
  - vucite alat po ivici predmeta koji se obrađuje uz blagi pritisak u stranu

## SAVETI ZA PRIMENU

- Za glodanje površina paralelnih sa bočnom stranom predmeta koji se obrađuje, koristite vodilicu
- Za paralelno glodanje na predmetu daleko od ivice <sup>(10)</sup>
  - pričvrstite ravan komad drveta na predmet koji se obrađuje pomoću 2 spona
  - povlačite električni alat sa osnovnom pločom preko ivice drveta koje sada funkcioniše kao vodilica
- Kada koristite glodala sa klipnim ili kugličnim ležajem, oni moraju da klize po ivici predmeta koji mora da bude sasvim gladak <sup>(17)</sup>
- Za veće dubine glodanja preporučuje se da nekoliko puta izvršite glodanje sa manjim stepenom uklanjanja

## ODRŽAVANJE / SERVIS

- Ovaj alat nije namenjen za profesionalnu upotrebu
- Alat i kabl uvek održavajte čistim (posebno otvore za hlađenje S <sup>(2)</sup>)
- S vremena na vreme podmažite šipke po kojima alat klizi T <sup>(2)</sup>
- Ako bi alat i pored brižljivog postupka izrade i kontrole nekada otkazao, popravku mora vršiti neki autorizovani servis za SKIL-električne alate

- pošaljite **nerastavljeni** alat zajedno sa potvrdom o kupovini vašem nabavljaču ili najbližem SKIL servisu (adrese i oznake rezervnih delova možete naći na [www.skil.com](http://www.skil.com))

## ZAŠTITA OKOLINE

- **Električne alate, pribora i ambalaže ne odlazite u kućne otpatke** (samo za EU-države)
  - prema Europskoj direktivi 2012/19/EG o staroj električnoj I elektronskoj opremi i njenoj upotrebi u skladu sa nacionalnim pravom, električni alati koji su istrošeni moraju biti sakupljeni odvojeno i dostavljeni pogonu za reciklažu
  - simbol <sup>(18)</sup> će vas podsetiti na to

## DEKLARACIJA O USKLAĐENOSTI CE

- Izjavljujemo na vlastitu odgovornost da je pod "Tehnički podaci" opisani proizvod usaglašen sa sledećim standardima ili normativnim aktima: EN 60745, EN 61000, EN 55014 prema odredbama smernica 2004/108/EG, 2006/42/EG, 2011/65/EU, 2009/125/EG (EU propis 1194/2012)
- **Tehnička dokumentacija kod:** SKIL Europe BV (PT-SEU/ENG1), 4825 BD Breda, NL

Marijn van der Hoofden  
Operations & Engineering

Olaf Dijkgraaf  
Approval Manager




SKIL Europe BV, 4825 BD Breda, NL

05.09.2014

## BUKA/VIBRACIJE

- Mereno u skladu sa EN 60745 nivo pritiska zvuka ovog alata iznosi 84 dB(A) a jačina zvuka 95 dB(A) (normalno odstupanje: 3 dB), a vibracija 4,4 m/s<sup>2</sup> (mereno metodom na šaci-ruci; nesigurnost K = 1,5 m/s<sup>2</sup>)
- Nivo emisije vibracija izmeren je u skladu sa standardizovanim testom datim u EN 60745; on se može koristiti za upoređenje jedne alatke sa drugom, kao i za preliminarnu procenu izloženosti vibracijama pri korišćenju ove alatke za pomenute namene
  - korišćenje alatke u drugačije svrhe ili sa drugačijim ili slabo održavanim nastavcima može značajno **povećati** nivo izloženosti
  - vreme kada je alatka isključena ili kada je uključena, ali se njome ne radi, može značajno **smanjiti** nivo izloženosti
- **! zaštitite se od posledica vibracija održavanjem alatke i njenih nastavaka, održavajući Vaše ruke toplim i organizovanjem Vaših radnih obrazaca**

## UVOD

- Ta stroj je namenjen struženju utorov, robov, profilov in podaljšanih brazd v lesu, plastiki in lahkih gradbenih materialih; prav tako z njim kopiramo
- Orodje ni namenjeno profesionalni uporabi
- Lučka na električnem orodju osvetljuje neposredno delovno območje električnega orodja in ni primerna za razsvetljavo v gospodinjstvu
- Preberite in shranite navodila za uporabo ③

## TEHNIČNI PODATKI ①

## DELI ORODJA ②

- A Ključ vpenjalne čeljusti
- B Matica pritrdilne objemke
- C Ključ
- D Merilnik globine
- E Gumb za natančno prilagajanje
- F Revolverska glava za zaustavitev rezalne globine
- G Gumb za prilagajanje (merilnik globine)
- H Ročica za zaklepanje
- J Kolesce za izbiro hitrosti
- K Priključek za sesalnik
- L Stikalo vklopi/izklopi
- M Gumb za blokiranje stikala
- N Gumb za prilagajanje (ročica)
- O LED-luči
- P Prilagoditvena plošča
- Q Stransko vodilo
- R Osnovna plošča
- S Ventilacijske reže
- T Drsni stebri
- V Palice vodilnega prislona
- W Vijak za nastavitev stranskega vodila
- X Iгла vodilnega prislona
- Y Krilna matica vodilnega prislona
- Z Vmesnik za ukrižljene predmete

## VARNOST

## SPLOŠNA VARNOSTNA NAVODILA

**⚠ OPOZORILO! Preberite vsa opozorila in napotila.** Napake zaradi neupoštevanja spodaj navedenih opozoril in napotil lahko povzročijo električni udar, požar in/ali težke telesne poškodbe. **Vsa opozorila in napotila shranite, ker jih boste v prihodnje še potrebovali.** Pojem "električno orodje", ki se pojavlja v nadaljnjem besedilu, se nanaša na električna orodja z električnim pogonom (z električnim kablom) in na akumulatorska električna orodja (brez električnega kabla).

## 1) VARNOST NA DELOVNEM MESTU

- a) **Poskrbite, da bo Vaše delovno mesto vedno čisto in urejeno.** Nered ali neosvetljena delovna področja lahko povzročijo nezgode.

b) **Prosimo, da orodja ne uporabljate v okolju, kjer je nevarnost za eksplozije in v katerem se nahajajo gorljive tekočine, plini in prah.** Električna orodja povzročajo iskrenje, zato se gorljivi prah ali pare lahko vnamejo.

c) **Ne dovolite otrokom in drugim osebam, da bi se medtem ko delate, približali električnemu orodju.** Druge osebe lahko odvrnejo Vašo pozornost drugim in izgubili boste nadzor nad orodje.

## 2) ELEKTRIČNA VARNOST

- a) **Vtič mora ustrezati električni vtičnici in ga pod nobenim pogojem ne smete spreminjati. Uporaba adapterskih vtičev v kombinaciji z ozemljena orodja ni dovoljena.** Originalni oziroma nespremenjeni vtiči in ustrezne vtičnice zmanjšujejo tveganje električnega udara.
- b) **Izogibajte se telesnemu stiku z ozemljenimi površinami, na primer s cevmi, grelci, štedilniki in hladilniki.** Če je ozemljeno tudi vaše telo, obstaja povečano tveganje električnega udara.
- c) **Zavarujte orodje pred dežjem ali vlago.** Vdor vode v električno orodje povečuje tveganje električnega udara.
- d) **Električnega kabla ne uporabljajte za prenašanje ali obežanje orodja in ne vlečite vtič iz vtičnice tako, da vlečete za kabel. Zavarujte kabel pred vročino, oljem, ostrimi robovi in premikajočimi se deli orodja.** Poškodovani ali prepleteni kabli povečujejo tveganje električnega udara.
- e) **Če z električnim orodjem delate na prostem, uporabljajte izključno kabelski podaljšek, ki je atestiran za delo na prostem.** Uporaba kabelskega podaljška, primerne za delo na prostem, zmanjšuje tveganje električnega udara.
- f) **Če je uporaba električnega orodja v vlažnem okolju neizogibna, uporabljajte prekinjevalec električnega tokokroga.** Prekinjevalca električnega tokokroga zmanjšuje tveganje električnega udara.

## 3) OSEBNA VARNOST

- a) **Bodite zbrani in pazite, kaj delate. Dela z električnim orodjem se lotite razumno. Nikoli ne uporabljajte orodja, če ste utrujeni in če ste pod vplivom mamil, alkohola ali zdravil.** En sam trenutek nepazljivosti pri uporabi orodja ima lahko za posledico resne telesne poškodbe.
- b) **Uporabljajte osebna zaščitna sredstva in vedno nosite zaščitna očala.** Uporaba osebnih zaščitnih sredstev, na primer maske proti prahu, nedrsečih zaščitnih čevljev, zaščitne čelade in slušnikov, odvisno od vrste in uporabe električnega orodja, zmanjšuje tveganje telesnih poškodb.
- c) **Izogibajte se nenamernemu zagonu. Pred priključitvijo električnega orodja na električno omrežje in/ali na akumulator in pred dviganjem ali nošenjem se prepričajte, če je električno orodje izklopljeno.** Prenašanje naprave s prstom na stikalu ali priključitev vklopljenega električnega orodja na električno omrežje je lahko vzrok za nezgode.
- d) **Pred vklopom orodja odstranite z nje nastavitvena orodja ali vijadni ključ.** Orodje ali ključ, ki se nahajata na vrtečem se delu električnega orodja, lahko povzročita nezgodo.

- e) **Ne precenjujte se in poskrbite za varno stojišče in stalno ravnotežje.** Tako boste lahko v nepričakovani situaciji bolje obvladali orodje.
- f) **Nosite primerno obleko, ki naj ne bo preohlapna. Ne nosite nakita. Lasje, oblačilo in rokavice naj se ne približujejo premikajočim se delom orodja.** Premikajoči se deli orodja lahko zgrabijo ohlapno obleko, nakit, ali dolge lase.
- g) **Če je možno na orodje namestiti priprave za odsesavanje in prestrezanje prahu, prepričajte se, ali so le-te priključene in, če jih pravilno uporabljate.** Uporaba priprave za odsesavanje prahu zmanjšuje zdravstveno ogroženost zaradi prahu.

#### 4) RAVNANJE IN NEGA ROČNEGA ORODJA

- a) **Ne preobremenjujte orodja. Za določeno delo uporabljajte električno orodje, ki je predvideno za opravljanje tega dela.** Z ustreznim električnim orodjem boste delo opravili bolje in varneje, ker je bilo v ta namen tudi konstruirano.
- b) **Električno orodje, ki ima pokvarjeno stikalo, ne uporabljajte.** Električno orodje, ki ga ni možno vklopiti ali izklopiti, je nevarno in ga je potrebno popraviti.
- c) **Pred nastavljanjem naprave, zamenjavo delov pribora ali odlaganjem naprave izvlecite vtiaka iz električne vtičnice in/ali odstranite akumulator.** Ta previdnostni ukrep onemogoča nepredviden zagon orodja.
- d) **Kadar orodja ne uporabljate ga shranjujte izven dosega otrok. Osebam, ki orodja ne poznajo ali niso prebrale teh navodil, orodja ne dovolite uporabljati.** Električna orodja so nevarna, če jih uporabljajo neizkušene osebe.
- e) **Skrbno negujte orodje. Preverite, če premikajoči se deli orodja delujejo brezhibno in če se ne zatikajo, oziroma, če kakšen del orodja ni zlomljen ali poškodovan do te mere, da bi oviral njegovo delovanje. Pred nadaljnjo uporabo je potrebno poškodovani del popraviti.** Vzrok za številne nezgode so ravno slabo vzdrževana električna orodja.
- f) **Rezalna orodja naj bodo ostrina in čista.** Skrbno negovana rezalna orodja z ostrimi rezili se manj zatikajo in so bolj vodljiva.
- g) **Električna orodja, pribor, nastavke in podobno uporabljajte v skladu s temi navodili. Pri tem upoštevajte delovne pogoje in vrsto dela, ki ga nameravate opraviti.** Zaradi uporabe električnega orodja v druge, nepredvidene namene, lahko nastanejo nevarne situacije.

#### 5) SERVIS

- a) **Popravilo orodja lahko opravi samo usposobljena strokovna oseba in to izključno z originalnimi nadomestnimi deli.** Le tako bo ohranjena nadaljnja varnost orodja.

### VARNOSTNA NAVODILA ZA DELO S STRUŽNICAMI

#### SPLOŠNO

- Orodja naj ne bi uporabljale osebe mlajše od 16 let
- **Vedno izvlecite električni vtičnik iz vtičnice preden spreminjate nastavitve ali menjate pribor**

#### PRIBOR

- SKIL zagotavlja brezhibno delovanje orodja le z uporabo originalnega dodatnega pribora

- Uporabljajte lahko dodatni pribor, katerega dovoljena hitrost je najmanj enaka največji hitrosti orodja
- Ne uporabljajte poškodovanih ali nepravilno oblikovanih stružnih nožev
- Uporabljajte le ostre stružne nože
- Zaščitite dodatno opremo pred udarci, sunki in maščobami
- Uporabljajte le stružne nože iz hitreznega jekla (HSS) ali rezila s karbidno trdino (CT)

#### PREDE UPORABO

- Izogibajte se poškodb zaradi vijakov, žebeljev ali drugih elementov v obdelovancu; odstranite jih pred začetkom dela
- Vedno preverite, če je napetost omrežja enaka napetosti, ki je navedena na tablici orodja (orodje z nazivno napetostjo 230V ali 240V lahko priključite tudi na napetost 220V)
- **Ne obdelujte materiala, ki vsebuje azbest** (azbest povzroča rakasta obolenja)
- **Obdelovanec zavarujte in pritrdite s sponami ali drugo opremo** (če obdelovanec držite z rokami ali proti telesu, bo nestabilen in lahko izgubite nadzor nad orodjem)
- Ne vpenjajte stroja v primež
- Uporabljajte povsem iztegnjene in varne električne podaljške, z jakostjo 16 amperov
- Med delom lahko nivo hrupa presega 85 dB(A); uporabljajte zaščito proti hrupu
- Prah materialov, kot so barve, ki vsebujejo svinec, nekatere vrste lesa, mineralov ali kovin so lahko škodljivi (ob stiku ali vdihavanju lahko prah pri delavcu ali pri drugih prisotnih povzroči alergijsko reakcijo in/ali bolezni dihal); **nosite masko za prah in pri delu uporabljajte napravo za odsesavanje prahu, kjer je le-to možno priključiti**
- Nekatere vrste prahu so klasificirane kot kancerogene (kot npr. prah hrasta in bukvje) še posebno ob sočasni uporabi z dodatki za obdelavo lesa; **nosite masko za prah in pri delu uporabljajte napravo za odsesavanje prahu, kjer je le-to možno priključiti**
- Upoštevajte nacionalne zahteve glede prahu za materiale katere želite obdelovati
- Prepričajte se, če je stikalo izklopljeno, preden priključite priključni kabel

#### MED UPORABO

- **Orodje držite za izolirane dele ročaja, če med delom pride rezalnik v stik z lastnim priključnim kablom** (stik z vodnikom pod napetostjo lahko povzroči, da so pod napetostjo tudi izpostavljeni kovinski deli orodja, kar lahko povzroči električni udar za uporabnika)
- Kabel naj bo vedno odmaknjen od gibljivih delov stroja; usmerite ga proti zadnjemu delu, stran od stroja
- Nikoli ne uporabljajte stroja, ko je poškodovan kabel ali temeljna plošča R ② (=zaščitno varovalo); ploščo naj zamenja strokovnjak
- Ko stroj vklopite, umaknite roke in prste od stružnega noža
- Med struženjem naj ne bo rezalna globina stružnega noža nikoli večja od največje dovoljene vrednosti
- Če pride do električnih ali mehanskih okvar, takoj izklopite stroj in izvlecite vtičnik iz vtičnice

- V primeru, da je stružni nož blokiran, kar se kaže v naglih gibih stroja, takoj izklopite stroj
- V primeru prekinitve delovanja ali če pomotoma izvlecete vtiakač, takoj izklopite stroj, da bi tako preprečili ponoven nenadziran zagon stroja
- Ne pritiskajte s preveliko silo na orodje, da ne pride do njegove zaustavitve

## PO UPORABI

- Po zaključenem delu, popustite ročico H ②, potisnite stroj nazaj v dvignjen, začetni položaj in ga izklopite

## UPORABA

- Namestitev/odstranitev stružnih nožev ④  
! **izklopite orodje in izvlecite vtiakač iz vtičnice**  
! **prepričajte se, da je bat stružnega noža povsem čist**

! **prepričajte se, da velikost vpenjalne čeljusti (6 mm, 8 mm) ustreza velikosti bata stružnega noža**

- obrnite orodje na glavo
- vpnite bat, tako da potisnete ključ za čeljust (gumb A (če je potrebno, zasukajte matico vpenjalne čeljusti B) in jo zadržite, medtem ko

### ZA NAMESTITEV:

- s ključem za odvijanje C sprostite matico vpenjalne čeljusti B
- bat za tri četrtine njegove dolžine vstavite v vpenjalno čeljust
- s ključem za odvijanje C trdno privijte matico vpenjalne čeljusti

### ZA ODSTRANITEV:

- s ključem za odvijanje C sprostite matico vpenjalne čeljusti B
- odstranite stružni nož,
- sprostite ključ vpenjalne čeljusti A

! **da bi sprostili stružni nož, boste morda morali s ključem za odvijanje potolči po matici vpenjalne čeljusti ⑤**

! **nikoli ne privijte matice, če v vpenjalni čeljusti ni stružnega noža; na ta način lahko poškodujete vpenjalno čeljust**

- Zamenjava vpenjalne čeljusti  
! **izklopite orodje in izvlecite vtiakač iz vtičnice**  
! **prepričajte se, da je držaj čeljusti povsem čist**  
- sprostite matico vpenjalne čeljusti B za 2 ali 3 obrate  
- s ključem za odvijanje C potolcite po matici B  
- odstranite matico in B in vpenjalno čeljust (ključ čeljusti)  
- obrnite orodje na glavo  
- vstavite novo čeljust v držaj čeljusti  
- namestite matico vpenjalne čeljusti B (ključ čeljusti)  
! **nikoli ne privijte matice, če v vpenjalni čeljusti ni stružnega noža; na ta način lahko poškodujete vpenjalno čeljust**
- Prilagajanje rezalne globine ⑥  
! **izklopite orodje in izvlecite vtiakač iz vtičnice**  
- zagotoviti, da je majhna palica v merilnik globine D vstavljena za približno 3 mm (uporabite gumb za natančno prilagajanje E) ⑥a  
- zasukajte revolversko glavo F tako, da najvišje ležeče območje glave klikne na mestu pod merilnikom globine D (za nastavev vrednosti nič) ⑥b

- sprostite gumb G tako, da merilnik globine D pade do revolverске glave za zaustavitev rezalne globine F ⑥b
- postavite stroj na obdelovalni predmet
- sprostite ročico za zaklepanje H ⑥c
- potisnite stroj navzdol, dokler se stružni nož ne dotakne obdelovalnega predmeta ⑥d
- privijte ročico za zaklepanje H ⑥e
- rezalna globina je zdaj nastavljena na 0 mm (opomba: vrednost, kot je prikazana na lestvici globine)
- dvignite merilnik globine D za toliko milimetrov, kolikor znaša želena rezalna globina, in pričvrstite gumb G ⑥f
- sprostite ročico za zaklepanje H in stroj znova vodite navzgor
- z gumbom za natančno prilagajanje E natančneje prilagodite rezalno globino (od 0 do 10 mm)
- z revolversko glavo za zaustavitev rezalne globine F lahko rezalno globino povečate za 5 ali 10 mm
- ! **po menjavi stružnih nožev znova nastavite rezalno globino**

- Nastavev hitrosti ⑦

Za optimalne rezultate odrezavanja na različnih materialih

- izberite rezalno hitrost na kolescu J (tudi med delovanjem stroja)
- da bi določili ustrezno rezalno hitrost, si pomagajte z razpredelnico ⑧
- preden začnete delati, določite optimalno hitrost, tako da jo preskusite na odvečnem obdelovalnem materialu

! **po dolgih obdobjih dela pri nizki hitrosti pustite, da se stroj ohladi, in sicer tako da ta deluje približno 3 minute pri veliki hitrosti in brez naloženega materiala**

- Odsesavanje prahu ⑨

- priključite sesalnik na stranski priključek K
- ! **cev sesalnika ne sme nikoli ovirati rezanja**

- Upravljanje orodja ⑩

- prilagodite rezalno globino
- ! **vedno držite stroj trdno z obema rokama**
- ! **med delom vedno držite orodje za sivo obarvano mesto prijema**

- postavite stroj na obdelovalni predmet
- izklopite orodje tako, da pritisnete stikalo L
- stikalo potisnite v zaklenjen položaj tako, da pritisnete gumb M

! **preden se stružni nož dotakne obdelovalnega predmeta, mora stroj teči pri polni hitrosti**

- sprostite ročico za zaklepanje H in počasi potisnite stroj navzdol, dokler merilnik globine D ne doseže revolverске glave za zaustavitev rezalne globine F
- privijte ročico za zaklepanje H
- izvedite postopek struženja ob enotni stopnji pogona
- stroj uporabljajte tako, da je temeljna plošča plosko na obdelovalnem predmetu
- velja splošno pravilo, da mora delavec vleči stroj, ne pa ga potiskati
- aretacijo stikala prekinete s ponovnim pritiskom in sprostitev stikala L
- po zaključenem delu, popustite ročico H in potisnite stroj nazaj v dvignjen, začetni položaj



- Prilagajanje položaja ročice ⑪
  - ročici odklenite s pomikom gumbov N navzven in ju pridržite med vrtenjem ročice v želeni položaj
  - sprostite gumba N, dokler ne zaskočita v zaklenjenem položaju (na voljo so 4 položaji)
- Pravilno vodenje stroja
  - ne pozabite, da se stružni nož obrača v smeri urnega kazalca
  - stroj vodite tako, da se stružni nož obrača proti materialu, ki ga obdelujete in ne stran od njega
- Namestitvev prilagoditvene plošče P (za kopiranje s šablono) ⑬
- Namestitvev vodilnega prislona Q ⑭
  - vstavite vodila vodilnega prislona V skozi odprtine v temeljni plošči R
  - pomaknite vodilni prislon do zelene širine in ga pritrdite z dvema gumboma W
- Uporaba vodilnega prislona kot vodila za rezanje v krogu ⑮
  - ! **najprej zasukajte vodilni prislon**
  - privijte osnik X z matico s krilci Y, kot kaže slika
  - vstavite vodili V v temeljno ploščo R
  - zabodite osnik X v označeno sredino krožnega loka
  - privijte vodilni prislon z dvema gumboma W
  - vodite stroj s stalnim dovajanjem pogona čez obdelovalni predmet
- Uporaba vodilnega prislona z vmesnikom za ukrivljene predmete Z ⑯
  - namestite vmesnik za ukrivljene predmete Z (z nameščenim kolescem za vodenje) kot kaže slika
  - vodite stroj vzdolž roba obdelovalnega predmeta, tako da s strani narahlo pritiskate nanj

## UPORABNI NASVETI

- Za reze, ki tečejo vzporedno s stranskim delom obdelovalnega predmeta, uporabite vodilni prislon
- Za vzporedne reze v obdelovalni predmet, ki je daleč od roba ⑩
  - z dvema objemkama pritrdite raven kos lesa na obdelovalni predmet
  - vodite stroj, tako da je temeljna plošča vzdolž robu lesenega kosa, ki zdaj deluje kot vodilni prislon
- Ko uporabljate stružne nože s pomožnim ali krogličnim ležajem, mora pomožni ali kroglični ležaj drseti vzdolž robu obdelovalnega predmeta, ta pa mora biti povsem gladek ⑰
- Za večje rezalne globine priporočamo, da izvedete nekaj zaporednih rezov z nižjo stopnjo odstranjevanja

## VZDRŽEVANJE/SERVISIRANJE

- Orodje ni namenjeno profesionalni uporabi
- Priključni kabel in orodje naj bosta vedno čista (posebej še prezračevalne odprtine S ②)
- Občasno podmažite drsne stebre T ②
- Če bi kljub skrbnim postopkom izdelave in preizkušanja prišlo do izpada delovanja orodja, naj popravilo opravi servisna delavnica, pooblaščen za popravila SKILevih električnih orodij

- pošljite **nerazstavljeno** orodje skupaj s potrdilom o nakupu pri vašemu prodajalcu v najbližjo SKIL servisno delavnico (naslovi, kot tudi spisek rezervnih delov se nahaja na [www.skil.com](http://www.skil.com))

## OKOLJE

- **Električnega orodja, pribora in embalaže ne odstranjujete s hišnimi odpadki** (samo za države EU)
  - v skladu z Evropsko direktivo 2012/19/EG o odpadni električni in elektronski opremi in z njenim izvajanjem v nacionalni zakonodaji je treba električna orodja ob koncu njihove življenjske dobe ločeno zbirati in jih predati v postopek okolijskega prijaznega recikliranja
  - ko je potrebno odstranjevanje, naj vas o načinu spomni simbol ⑱

## IZJAVA O SKLADNOSTI CE

- Izjavljamo pod izključno odgovornostjo, da proizvod pod "Tehnični podatki" ustreza naslednjim standardom oz. standardiziranim dokumentom: EN 60745, EN 61000, EN 55014 v skladu z določili direktiv 2004/108/ES, 2006/42/ES, 2011/65/EU, 2009/125/ES (EU predpis 1194/2012)
- **Tehnična dokumentacija se nahaja pri:** SKIL Europe BV (PT-SEU/ENG1), 4825 BD Breda, NL

Marijn van der Hoofden  
Operations & Engineering

Olaf Dijkgraaf  
Approval Manager




SKIL Europe BV, 4825 BD Breda, NL

05.09.2014

## HRUP/VIBRACIJA

- Izmerjeno v skladu s predpisom EN 60745 je raven zvočnega pritiska za to orodje 84 dB(A) in jakosti zvoka 95 dB(A) (standarden odmik: 3 dB), in vibracija 4,4 m/s<sup>2</sup> (metoda dlan-roka; netočnost K = 1,5 m/s<sup>2</sup>)
- Raven oddajanja vibracij je bila izmerjena v skladu s standardiziranimi testi, navedenimi v EN 60745; uporabiti jo je mogoče za primerjavo različnih orodij med seboj in za predhodno primerjavo izpostavljenosti vibracijam pri uporabi orodja za namene, ki so omenjeni
  - uporaba orodja za drugačne namene ali uporaba skupaj z drugimi, slabo vzdrževanimi nastavki lahko znatno **poveča** raven izpostavljenosti
  - čas, ko je orodje izklopljeno ali ko teče, vendar z njim ne delamo, lahko znatno **zmanjša** raven izpostavljenosti
- ! **pred posledicami vibracij se zaščitite z vzdrževanjem orodja in pripadajočih nastavkov, ter tako, da so vaše roke tople, vaši delovni vzorci pa organizirani**

## SISSEJUHATUS

- Seade on ettenähtud soonte, servade, profiilide ja pikiavade freesimiseks puitu, plastmaterjalidesse ning kergetusmaterjalidesse, samuti kopeerfreesimiseks
- Tööriist pole mõeldud professionaalseks kasutamiseks
- Elektrilise tööriista tuli on mõeldud vaid elektrilise tööriista tööpiirkonna valgustamiseks, tuli ei sobi ruumide valgustamiseks koduses majapidamises
- Palun lugege käesolev kasutusjuhend hoolikalt läbi ja hoidke alles ③

## TEHNILISED ANDMED ①

### SEADME OSAD ②

- A Völlilukustusnupp
- B Tsangi lukustusmutter
- C Lehtvõti
- D Sügavusmõõdik
- E Täppiskohandamise nupp
- F Pöördalust
- G Justeerimisnupp (sügavuspiiraja)
- H Lukustuskäepide
- J Kiiruse regulaator
- K Tolmuimeja adapter
- L Töölülit (sisse/välja)
- M Lülit lukustusnupp
- N Justeerimisnupp (käepide)
- O Valgusdiiodid
- P Adapterplaat
- Q Paralleeljuhtik
- R Alusplaat
- S Ohutusavad
- T Liuglatid
- V Rebimisresti vardad
- W Paralleeljuhiku reguleerimisnupp
- X Rebimisresti tihvt
- Y Rebimisresti kinnitusmutter
- Z Kurvi puhver

## OHUTUS

### ÜLDISED OHUTUSJUHISED

**⚠ TÄHELEPANU!** Kõik ohutusnõuded ja juhised tuleb läbi lugeda. Ohutusnõuete ja juhiste eiramise tagajärjeks võib olla elektrilöök, tulekahju ja/või rasked vigastused. **Hoidke kõik ohutusnõuded ja juhised edasiseks kasutamiseks hoolikalt alles.** Allpool kasutatud mõiste "elektriline tööriist" käib võrgutoitega (toitejuhtmega) elektriliste tööriistade ja akutoitega (ilma toitejuhtmega) elektriliste tööriistade kohta.

#### 1) OHUTUSNÕUDED TÕÕPIIRKONNAS

- Hoidke töökoht puhas ja korras.** Segadus või valgustamata tööpiirkonnad võivad põhjustada õnnetusi.

- Ärge kasutage seadet plahvatusohtlikus keskkonnas, kus leidub tuleohtlikke vedelikke, gaase või tolmu.** Elektrilistest tööriistadest lööb sädemeid, mis võivad tolmu või auru süüdata.
- Kui kasutate elektrilist tööriista, hoidke lapsed ja teised isikud töökoost eemal.** Kui Teie tähelepanu kõrvale juhitakse, võib seade Teie kontrolli alt väljuda.

#### 2) ELEKTROOHUTUS

- Seadme pistik peab pistikupessa sobima. Pistiku kallal ei tohi teha mingeid muudatusi. Ärge kasutage kaitsemaandusega seadmete puhul adapterpistikuid.** Muutmata pistikud ja sobivad pistikupesad vähendavad elektrilöögi saamise riski.
- Vältige kehakontakti maandatud pindadega, nagu torud, radiaatorid, pliigid ja külmikud.** Kui Teie keha on maandatud, on elektrilöögi risk suurem.
- Hoidke seadet vihma ja niiskuse eest.** Kui elektriseadmesse on sattunud vett, on elektrilöögi saamise risk suurem.
- Ärge kasutage toitejuhet selleks mitte ettenähtud otstarbel seadme kandmiseks, ülesriputamiseks ega pistiku pistikupesast väljatõmbamiseks. Hoidke toitejuhet kuumuse, õli, teravate servade ja seadme liikuvate osade eest.** Kahjustatud või keerduläänud toitejuhtmed suurendavad elektrilöögi saamise riski.
- Kui töotate elektrilise tööriistaga vabas õhus, kasutage ainult selliseid pikendusjuhtmeid, mida on lubatud kasutada ka välistingimustes.** Välistingimustes kasutamiseks sobiva pikendusjuhtme kasutamine vähendab elektrilöögi saamise riski.
- Kui elektrilise tööriista kasutamine niiskes keskkonnas on vältimatu, kasutage maandusega lekkevoolukaitses.** Maandusega lekkevoolukaitsme kasutamine vähendab elektrilöögi ohtu.

#### 3) INIMESTE TURVALISUS

- Olge tähelepanelik, jälgige, mida Te teete, ning toimige elektrilise tööriistaga töötades mõistlikult. Ärge kasutage seadet, kui olete väsinud või umasteid, alkoholi või ravimite mõju all.** Hetkeline tähelepanematus seadme kasutamisel võib põhjustada tõsiseid vigastusi.
- Kandke isikukaitsevahendeid ja alati kaitseprille.** Isikukaitsevahendite, nagu tolmu mask, libisemiskindlad, turvajalatsid, kaitsekiiver või kuulmiskaitsevahendid, kandmine – sõltuvalt elektrilise tööriista tüübist ja kasutusosalast – vähendab vigastuste riski.
- Vältige seadme tahtmatut käivitamist. Enne pistiku ühendamist pistikupessa, aku ühendamist seadme külge, seadme ülestõstmist ja kandmist veenduge, et elektriline tööriist on välja lülitatud.** Kui hoiate elektrilise tööriista kandmisel sõrme lülitil või ühendate vooluvõrku sisselülitatud seadme, võivad tagajärjeks olla õnnetused.
- Enne seadme sisselülitamist eemaldage selle küljest reguleerimis- ja mutrivõtmed.** Seadme pöörleva osa küljes olev reguleerimis- või mutrivõti võib põhjustada vigastusi.
- Ärge hinnake end üle. Võtke stabiilne tööasend ja hoidke kogu aeg tasakaalu.** Nii saate seadet ootamatutes olukordades paremini kontrollida.
- Kandke sobivat rõivastust. Ärge kandke laiu riideid ega ehteid. Hoidke juuksed, rõivad ja kindad**

seadme liikuvatest osadest eemal. Lotendavad riided, ehted või pikad juuksed võivad sattuda seadme liikuvate osade vahele.

- g) **Kui on võimalik paigaldada tolmueemaldus- ja tolmukogumiseseadiseid/seadmeid, veenduge, et need oleksid seadmega ühendatud ja et neid kasutataks õigesti.** Tolmueemaldusseadise kasutamine vähendab tolmuust põhjustatud ohte.

#### 4) ELEKTRILISTE TÖÖRIISTADE HOOLIKAS KÄSITSEMINE JA KASUTAMINE

- a) **Ärge koormake seadet üle. Kasutage töö tegemiseks selleks ettenähtud elektrilist tööriista.** Sobiva elektrilise tööriistaga töötate paremini ja turvalisemalt ettenähtud võimsusvahemikus.
- b) **Ärge kasutage elektrilist tööriista, mille lüliti on rikkis.** Elektriline tööriist, mida ei ole enam võimalik sisse ja välja lülitada, on ohtlik ning seda tuleb remontida.
- c) **Tõmmake pistik pistikupesast välja ja/või eemaldage seadmest aku enne seadme reguleerimist, tarvikute vahetamist ja seadme ärapanekut.** See ettevaatusabinõu väldib seadme tahtmatut käivitamist.
- d) **Kasutusvälisel ajal hoidke elektrilisi tööriistu lastele kättesaamatu. Ärge laske seadet kasutada isikutel, kes seda ei tunne või pole siintoodud juhiseid lugenud.** Kogenematute kasutajate käes kujutavad elektrilised tööriistad ohtu.
- e) **Hoolitsege seadme eest. Kontrollige, kas seadme liikuvad osad funktsioneerivad korralikult ja ei kiildu kinni, ning ega mõned osad ei ole katki või sel määral kahjustatud, et võiksid mõjutada seadme töökindlust. Laske kahjustatud osad enne seadme kasutamist parandada.** Paljude õnnetuste põhjuseks on halvasti hooldatud elektrilised tööriistad.
- f) **Hoidke lõiketarvikud teravad ja puhtad.** Hoolikalt hoitud, teravate lõikeservadega lõiketarvikud kiilduvad harvemini kinni ja neid on lihtsam juhtida.
- g) **Kasutage elektrilist tööriista, lisavarustust, tarvikuid jne vastavalt siintoodud juhistele. Arvestage seejuures töötingimuste ja teostatava töö iseloomuga.** Elektriliste tööriistade kasutamine mitte ettenähtud otstarbel võib põhjustada ohtlikke olukordi.

#### 5) TEENINDUS

- a) **Laske seadet parandada ainult kvalifitseeritud spetsialistidel ja ainult originaalvaruosadega.** Nii tagate seadme püsimise turvalisena.

### OHUTUSJUHISED ÜLAFREESIDE KOHTA

#### ÜLDIST

- Tööriista kasutaja peab olema vähemalt 16 aastat vana
- **Enne seadme reguleerimist või tarvikute vahetust eemaldage seade vooluvõrgust (tõmmake pistik pistikupesast välja)**

#### TARVIKUD

- SKIL tagab seadme häireteta töö üksnes originaaltarvikute kasutamisel
- Kasutage vaid neid tarvikuid, mille lubatud pöörete arv on vähemalt sama suur nagu maksimaalsed tühikäigupöörded
- Ärge kasutage rebenenud ega deformeerunud freesipäid
- Kasutage ainult teravaid freesipäid

- Kaitske tarvikuid löökide, pörutuste ja määrdeainete eest
- Kasutage antud seadmega vaid kiirloometerasest või kõvasulamist freesipäid

#### ENNE KASUTAMIST

- Vältige töödeldavas esemes olevatest kruvidest, naeltest vms põhjustatud kahjustusi; eemaldage need enne töö alustamist
- Kontrollige alati, kas võrgupinge ühtib tööriista andesildil toodud pingega (andesildil toodud 230V või 240V korral võib tööriistad kasutada ka 220V võrgupinge puhul)
- **Asbestisisaldava materjali töötlemine on keelatud** (asbest võib tekitada vähki)
- **Kinnitage toorik klambriga või muul praktilisel moel kindlale stabiilsele alusele** (tööd käes hoides või vastu keha surudes võib see paigast liikuda)
- Ärge kinnitage tööriista pitskruviga
- Pikendusjuhtmete kasutamisel jälgige, et juhe oleks lõpuni lahti keritud ja vastaks 16 A voolutugevusele
- Töötamise ajal võib müratase ületada 85 dB(A); kandke kuulmiskaitsevahendeid
- Värviga kaetud juhtmed, mõned puiduliigid, mineraalid ja metall eraldavad tolmu, mis võib olla kahjulik (kokkupuude tolmuga või selle sissehingamine võib seadme kasutajal või läheduses viibavatel inimestel põhjustada allergilisi reaktsioone ja/või hingamisteede haigusi); **kandke tolmumaski ja vajaduse korral töötage külgeühendatava tolmueemaldusseadmega**
- Teatud tüüpi tolm on klassifitseeritud kantserogeensena (nt tammest ja kasest eralduv tolm), eriti koos puudu niiskuse reguleerimiseks kasutatavate lisanditega; **kandke tolmumaski ja vajaduse korral töötage külgeühendatava tolmueemaldusseadmega**
- Erinevate materjalide töötlemisel tekkiva tolmu käitlemisel tuleb järgida kehtivaid nõudeid
- Vooluvõrku ühendamisel veenduge, et tööriist on välja lülitatud

#### KASUTAMISE AJAL

- **Hoidke elektritööriista kinni isoleeritud haardepinnast, kuna tera võib puutuda kokku tööriista enda juhtmega** (voolu all oleva juhtme löikamisel võivad elektritööriista metallosad pingestuda ja anda operaatoreile elektrilöögi)
- Vältige toitejuhtme kokkupuutumist seadme pöörlevate osadega; hoidke toitejuhet alati tööriistast eemal, tagapool
- Ärge kasutage seadet, kui toitejuhe või alustald R ② (=kaitseseadis) on vigastatud; laske see parandada elektriala spetsialistil
- Hoidke käed ja sõrmed seadme sisselülitamisel freesipeast eemal
- Freesimistööde korral ei tohi kunagi ületada freesipea maksimaalselt freesimissügavust
- Seadme elektrilise või mehhaanilise häire korral lülitage seade viivitamatult välja ja eemaldage pistik vooluvõrgust
- Kui freesitera on kinni kiildunud ja see põhjustab seadme "viskumist", tuleb seade kohe välja lülitada
- Voolukatkestuse korral või pistiku tahtmatul väljatõmbamisel pistikupesast, lülitage seade kohe välja, et vältida seadme kontrollimatut taaskäivitamist
- Ärge suruge tööriistale nii tugevalt, et see seiskub

## PÄRAST KASUTAMIST

- Pärast töö lõppu, vabastage hoob H ②, viige seade tagasi ülemisse lähteasendisse ja lülitage välja

## KASUTAMINE

- Freesipeade paigaldamine/eemaldamine ④
  - ! lülitage seade välja ja eemaldage pistik pistikupesast
  - ! veenduge, et freesipea völli oleks täiesti puhas
  - ! veenduge, et kõik freesiterad ja tsangid (6 mm, 8 mm) üksteisega sobiksid
  - pöörake seade ümber
  - fikseerige völli, vajutades völli lukustusele A (vajadusel keerake pisut kinnitusmutrit B); hoidke völli lukustusnuppu all ja samal ajal

### PAIGALDAMISEKS:

- vabastage võtmega C kinnitusmutter B
- asetage freesimistarviku saba 3/4 ulatuses tsangi
- keerake kinnitusmutter võtmega C tugevasti kinni

### EEMALDAMISEKS:

- vabastage võtmega C kinnitusmutter B
- eemaldage freesimistarvik

- vabastage völli lukustusnupp A

- ! kõvasti kinniolevat freesimistarvikut saab vabastada, lüües võtmega kinnitusmutrile ⑤
- ! ärge kunagi keerake kinni kinnitusmutrit, kui tsangis ei ole freesimistarvikut; see võib vigastada tsangi

- Lukustusühüsi vahetamine

- ! lülitage seade välja ja eemaldage pistik pistikupesast
- ! veenduge, et lukustusvölli oleks täiesti puhas
- keerake kinnitusmutter B 2 või 3 pöörret lahti
- koputage kinnitusmutrit B võtmega C
- eemaldage kinnitusmutter B ja tõmmake välja tsangi (lukustage völli)
- pöörake seade ümber
- paigaldage uus tsangi kinnitusmutrisse
- monteerige kinnitusmutter B (lukustage völli)
- ! ärge kunagi keerake kinni kinnitusmutrit, kui tsangis ei ole freesimistarvikut; see võib vigastada tsangi

- Freesimissügavuse reguleerimine ⑥

- ! lülitage seade välja ja eemaldage pistik pistikupesast
- veenduge, et sügavusmõõdiku D sees olevat väikest varrast saab pikendada umbes 3 mm võrra (kasutage täppiskohandamise nuppu E) ⑥a
- pöörake pöördmutrit F nii, et selle kõrgeim asend fikseerub vahetult sügavusmõõdiku D alla (nullimiseks) ⑥b
- keerake nuppu lahtipoole G nii, et sügavusmõõdik D kukuks peatavale pöördmutrile F ⑥b
- asetage seade töödeldavale esemele
- avage lukustushoob H ⑥c
- suruge seade alla, kuni freesipea toetub toorikule ⑥d
- kinnitage lukustushoob H ⑥e
- uuristusügavus on nüüd seatud tasemele 0 mm (väärtus, mis on märgitud sügavusskaalal)
- tõstke sügavusmõõdik D soovitud uuristusügavuse tasemele ja keerake nupp G ⑥f kinni

- vabastage lukustushoob H ja juhtige tööriist uuesti üles
- kasutage täpse (0–10 mm) uuristusügavuse E määramiseks täppiskohandusnuppu
- sügavust piirav pöördmutter F võimaldab uuristusügavust muuta kas 5 või 10 mm võrra
- ! pärast uuristusdetailide vahetamist määrake uuristusügavus uuesti
- Kiiruse kontroll ⑦
  - Optimaalsete tulemuste saavutamiseks erinevate materjalide freesimisel
  - valige freesimiskiirus regulaatorist J (ka seadme töötamise ajal)
  - tabeli ⑧ abil määrake kindlaks sobiv freesimiskiirus
  - enne töö alustamist selgitage optimaalne kiirus välja proovidetali najal
  - ! pärast pikemaajalist töötamist madalal kiirusel laske seadmel jahtumiseks töötada tühikäigul umbes 3 minutit täiskiiirusega
- Tolmu eemaldamine ⑨
  - ühendage tolmuimeemisvoolik adapteriga K
  - ! ärge laske tolmuimeja voolikul uuristusprotsessi segada
- Seadme kasutamine ⑩
  - reguleerige välja freesimissügavus
  - ! hoidke seadet alati mõlema käega
  - ! töötamise ajal hoidke tööriista kinni korpuse ja käepideme halli värvi osadest
  - asetage seade töödeldavale esemele
  - seadme sisselülitamiseks vajutage töölülitile L
  - pidevaks tööks lukustage lüliti, vajutades nuppu M
  - ! enne freesipea viimist toorikusse peab tööriist töötama maksimumkiirusel
  - avage lukustuslülitit H ja lükake tööriista aeglaselt allapoole, kuni sügavusmõõdik D jõuab stopmutrini F
  - kinnitage lukustushoob H
  - teostage freesimine ühtlase ettenihkega
  - tööriista juhtimisel hoidke alustalda ühtlaselt vastu toorikut
  - üldjuhul tuleb tööriista töötamisel "tõmmata", mitte lükata
  - fikseeringu vabastamiseks vajutage uuesti töölülitile L ja vabastage see
  - pärast töö lõppu, vabastage hoob H ja viige seade tagasi ülemisse lähteasendisse
- Käepideme asendi kohandamine ⑪
  - avage mõlema käepideme kinnitused, lükates nuppe N välismise asendisse ja hoidke neid paigal, keerates samal ajal käepidemeid soovitud asendisse
  - vabastage mõlemad nupud N ja laske neil ise lukustuda (4 võimalikku asendit)
- Öige juhtimine erinevate lõigete puhul
  - veenduge, et freesitera pöörleks päripäeva
  - juhtige seadet nii, et freesipea keeraks end toorikusse sisse, mitte sellest eemale
- Adapterplaadi P paigaldamine (töötamisel šablooni järgi) ⑬
  - Külgmise piiraja paigaldamine Q ⑭
    - lükake juhtvardad V läbi alustalla R avade
    - viige külgmise piiraja soovitud laiuzele ja kinnitage see 2 nupuga W

- Külgmise piiraja kasutamine ringjuhiikuna ⑩
- ! **kõigepealt pöörake külgmise piiraja ümber**
- kinnitage polt X tiibkruviga Y vastavalt joonisele
- lükake juhtvardad V läbi alusplaadi R
- torgake polt X ringi märgitud keskpunkti
- kinnitage külgmise piiraja 2 nupuga W
- juhtige seadet alustallaga üle tooriku
- Külgmise piiraja kasutamine servajuhikuna Z ⑩
- monteeri servajuhik Z (kaasasoleva rullikuga) vastavalt joonisele
- juhtige seadet kerge külgsurvega piki tooriku serva

## TÖÖJUHISED

- Paralleelselt tooriku servaga teostatavate lõigete puhul kasutage külgmist piirajat
- Tooriku servast liiga kaugele jäävate paralleellõigete puhul ⑩
- monteeri kahe klemmkruvi abil toorikule massiivne puitklots
- juhtige seadet alustallaga piki puitklotsi serva, puitklots täidab nüüd külgmise piiraja ülesannet
- Juhttapi või kuullaagriga adapterite puhul tuleb juhttapp või kuullaager viia piki tooriku välisserva, mis peab olema võimalikult sile ⑩
- Suuremate freesimisügavuste puhul on soovitatav jaotada freesimisoperatsioon mitmesse järku, eemaldades iga kord ühe õhema kihi

## HOOLDUS/TEENINDUS

- Tööriist pole mõeldud professionaalseks kasutamiseks
- Hoidke seade ja toitejuhe alati puhtad (eriti õhutusavad S ②)
- Aeg-ajalt õlitage liugsiine T ②
- Tööriist on hoolikalt valmistatud ja testitud; kui tööriist sellest hoolimata rikki läheb, tuleb see lasta parandada SKILi elektriliste käsitööriistade volitatud remonditöökojas
- toimetage **lahtimonteerimata** seade koos ostukviitungiga tarnijale või lähimasse SKILi lepinguliselt töökotta (aadressid ja tööriista varuosade joonise leiate aadressil [www.skil.com](http://www.skil.com))

## KESKKOND

- **Ärge visake kasutuskõlbmatuks muutunud elektrilisi tööriistu, lisatarvikuid ja pakendeid ära koos olmejäätmetega** (üksnes EL liikmesriikidele)
- vastavalt Euroopa Parlamendi ja nõukogu direktiivile 2012/19/EÜ elektri- ja elektroonikaseadmete jäätmete kohta ning direktiivi nõuete kohaldamisele liikmesriikides tuleb kasutuskõlbmatuks muutunud elektrilised tööriistad koguda eraldi ja keskkonnasäästlikult korduvkasutada või ringlusse võtta
- seda meenutab Teile sümbol ⑩

## VASTAVUSDEKLARATSIOON CE

- Kinnitame ainuvastutajana, et punktis "Tehnilised andmed" kirjeldatud toode vastab järgmistele standarditele või normdokumentidele: EN 60745, EN 61000, EN 55014 vastavalt direktiivide 2004/108/EÜ, 2006/42/EÜ, 2011/65/EL, 2009/125/EÜ (EL regulatsioon 1194/2012) nõuetele
- **Tehniline toimik saadaval aadressil:** SKIL Europe BV (PT-SEU/ENG1), 4825 BD Breda, NL

Marijn van der Hoofden  
Operations & Engineering

Olaf Dijkgraaf  
Approval Manager

SKIL Europe BV, 4825 BD Breda, NL

05.09.2014

## MÜRA/VIBRATSIOON

- Vastavalt kooskõlas normiga EN 60745 läbi viidud mõõtmistele on tööriista helirõhk 84 dB(A) ja helitugevus 95 dB(A) (standardkõrvalekalle: 3 dB), ja vibratsioon 4,4 m/s<sup>2</sup> (käte-randme-meetod; mõõtemääramatus K = 1,5 m/s<sup>2</sup>)
- Tekkiva vibratsiooni tase on mõõdetud vastavalt standardis EN 60745 kirjeldatud standarditud testile; seda võib kasutada tööriistade võrdlemiseks ja tööriista kasutamisel ettenähtud töödeks esineva vibratsiooni esialgseks hindamiseks
- tööriista kasutamisel muudeks rakendusteks või teiste/ halvasti hooldatud tarvikute kasutamisel võib vibratsioon märkimisväärselt **suurene**
- ajal, kui tööriist on väljalülitatud või on küll sisselülitatud, kuid tegelikult seda ei kasutata, võib vibratsioon märkimisväärselt **väheneda**
- ! **enda kaitsmiseks vibratsiooni eest hooldage tööriista ja selle tarvikuid korralikult, hoidke oma käed soojad ja tagage sujuv töökorraldus**

LV

## Virsfrëze

1840

## IEVADS

- Šis instruments ir paredzēts gropju, malu, profilu un iegarenu atveru frëzēšanai kokā, plastmasā un vieglos būvmateriālos, kā arī kopējošajai frëzēšanai
- Šis instruments nav paredzēts profesionālai lietošanai
- Šajā elektroinstrumentā iebūvētā apgaismošanas spuldze ir paredzēta darba vietas izgaismošanai, bet ne apgaismojuma nodrošināšanai dzīvojamajās telpās
- Izlasiet un saglabājiet šo pamācību ③

## TEHNISKIE PARAMETRI ①

## INSTRUMENTA ELEMENTI ②

- A Darbvārpstas fiksators
- B Turētājaptveres uzgrieznis
- C Uzgriežņu atslēga

- D Dzijuma mērinstruments
- E Smalkas regulēšanas poga
- F Dzijuma atduri
- G Regulēšanas poga (dzijuma ierobežotājs)
- H Svira fiksējošais
- J Ātruma regulatori
- K Putekļsūcēja savienotājelements
- L Ieslēdzējs
- M Poga ieslēdzēja fiksēšanai
- N Regulēšanas poga (rokturis)
- O Gaismas diodes
- P Adaptera plāksne
- Q Paralēlā vadotne
- R Pamatplāksne
- S Ventilācijas atveres
- T Slīdošu stieņi
- V Paralēlās vadotnes stieņi
- W Paralēlās vadotnes regulēšanas spārnskrūve
- X Paralēlās vadotnes adata
- Y Paralēlās vadotnes spārnuzgrieznis
- Z Balsts frēzēšanai pa liektu līniju

## DROŠĪBA

### VISPĀRĒJIE DARBA DROŠĪBAS NOTEIKUMI

**UZMANĪBU!** Rūpīgi izlasiet visus drošības noteikumus. Šeit sniegto drošības noteikumu un norādījumu neievērošana var izraisīt aizdegšanos un būt par cēloni elektriskajam triecienam vai nopietnam savainojumam. **Pēc izlasīšanas uzglabājiet šos noteikumus turpmākai izmantošanai.** Turpmākajā izklāstā lietotais apzīmējums "elektroinstruments" attiecas gan uz tīkla elektroinstrumentiem (ar elektrokabeli), gan arī uz akumulatora elektroinstrumentiem (bez elektrokabeļa).

#### 1) DROŠĪBA DARBA VIETĀ

- a) **Sekojiet, lai darba vieta būtu tīra un sakārtota.** Nekārtīgā darba vietā vai sliktā apgaismojumā var viegli notikt nelaimes gadījums.
- b) **Nelietojiet elektroinstrumentu eksplozīvu vai ugunsnedrošu vielu tuvumā un vietās ar paaugstinātu gāzes vai putekļu saturu gaisā.** Darba laikā instruments nedaudz dzirksteļo, un tas var izsautīt viegli degošu putekļu vai tvaiku aizdegšanos.
- c) **Lietojot elektroinstrumentu, neļaujiet nepiederošām personām un jo īpaši bērniem tuvuoties darba vietai.** Citu personu klātbūtne var novērst uzmanību, un tā rezultātā jūs varat zaudēt kontroli pār instrumentu.

#### 2) ELEKTRODROŠĪBA

- a) **Elektroinstrumenta kontaktdakšai jābūt piemērotai elektrotilkla kontaktlīdzdai. Kontaktdakšas konstrukciju nedrīkst nekādā veidā mainīt.** Nelietojiet kontaktdakšas salāgotājus, ja elektroinstruments caur kabeli tiek savienots ar aizsargzēmējuma ķēdi. Neizmainītas konstrukcijas kontaktdakša, kas piemērota kontaktlīdzdai, ļauj samazināt elektriskā trieciena saņemšanas risku.
- b) **Darba laikā nepieskarieties saņemtiem priekšmetiem, piemēram, caurulēm, radiatoriem, plītiņiem vai ledusskapjiem.** Pieskaroties saņemtiem virsmām, pieaug risks saņemt elektrisko triecienu.

- c) **Nelietojiet elektroinstrumentu lietus laikā, neturiet to mitrumā.** Mitrumam iekļūstot instrumentā, pieaug risks saņemt elektrisko triecienu.
- d) **Nenesiet un nepiekariet elektroinstrumentu aiz elektrokabeļa. Neraujiet aiz kabēļa, ja vēlaties atvienot instrumentu no elektrotilkla kontaktlīdzdas. Sargājiet elektrokabeli no karstuma, eļļas, asām šķautnēm un instrumenta kustīgajām daļām.** Bojāts vai samezģojies elektrokabelis var būt par cēloni elektriskajam triecienam.
- e) **Darbinot elektroinstrumentu ārpus telpām, izmantojiet tā pievienošanai vienīgi tādus pagarinātājkabeļus, kuru lietošana ārpus telpām ir atļauta.** Lietojot elektrokabeli, kas piemērots darbam ārpus telpām, samazinās risks saņemt elektrisko triecienu.
- f) **Ja elektroinstrumentu tomēr nepieciešams lietot vietās ar paaugstinātu mitrumu, izmantojiet tā pievienošanai noplūdes strāvas aizsargreģeju.** Lietojot noplūdes strāvas aizsargreģeju, samazinās risks saņemt elektrisko triecienu.

### 3) PERSONISKĀ DROŠĪBA

- a) **Darba laikā saglabājiet paškontroli un rīkojieties saskaņā ar veselo saprātu.** Pārtrauciet darbu, ja jūtaties noguris vai atrodaties alkohola, narkotiku vai medikamentu izraisītā reibumā. Strādājot ar elektroinstrumentu, pat viens neuzmanības mirklis var būt par cēloni nopietnam savainojumam.
- b) **Izmantojiet individuālos darba aizsardzības līdzekļus un darba laikā vienmēr nēsājiet aizsargbrilles.** Individuālo darba aizsardzības līdzekļu (putekļu maskas, neslīdošu apavu un aizsargķiveres vai ausu aizsargu) pielietošana atbilstoši elektroinstrumenta tipam un veicamā darba raksturam ļauj izvairīties no savainojumiem.
- c) **Nepieļaujiet elektroinstrumenta patvaļīgu ieslēgšanos. Pirms elektroinstrumenta pievienošanas elektrotilklam, akumulatora ievietošanas vai izņemšanas, kā arī pirms elektroinstrumenta pārņemšanas pārliecinieties, ka tas ir izslēgts.** Pārnesot elektroinstrumentu, ja pirksts atrodas uz ieslēdzēja, kā arī pievienojot to elektrobarošanas avotam laikā, kad elektroinstruments ir ieslēgts, var viegli notikt nelaimes gadījums.
- d) **Pirms instrumenta ieslēgšanas neaizmirstiet izņemt no tā regulējošos instrumentus vai skrūvjatslēgas.** Patronatslēga vai skrūvjatslēga, kas instrumenta ieslēgšanas brīdī nav izņemta no tā, var radīt savainojumu.
- e) **Strādājot ar elektroinstrumentu, ieturiet stingru stāju. Darba laikā vienmēr saglabājiet līdzsvaru un centieties nepaslidēt.** Tas atvieglos instrumenta vadību neparedzētās situācijās.
- f) **Izvēlieties darbam piemērotu apģērbu. Darba laikā nenēsājiet brīvi plandošas drēbes un rotaslietas. Netuviniet matus, apģērbu un aizsargcimdus instrumenta kustīgajām daļām.** Vaļīgās drēbes, rotaslietas un gari mati var ieķerties instrumenta kustīgajās daļās.
- g) **Ja elektroinstrumenta konstrukcija ļauj tam pievienot ārējo putekļu uzsūkšanas vai savākšanas/uzkrāšanas ierīci, sekojiet, lai tā tiktu pievienota**

elektroinstrumentam un pareizi darbotos. Pielietojot putekļu uzsūkšanu vai savākšanu/uzkrāšanu, samazinās to kaitīgā ietekme uz strādājošās personas veselību.

#### 4) ELEKTROINSTRUMENTU LIETOŠANA UN APKOPE

- a) **Nepārslodiet elektroinstrumentu. Katram darbam izvēlieties piemērotu instrumentu.** Elektroinstruments darbosies labāk un drošāk pie nominālās slodzes.
- b) **Nelietojiet elektroinstrumentu, ja ir bojāts tā ieslēdzējs.** Elektroinstruments, ko nevar ieslēgt un izslēgt, ir bīstams lietošanai un to nepieciešams remontēt.
- c) **Pirms elektroinstrumenta apkopes, regulēšanas vai darbinstrumenta nomainīšanas atvienojiet tā kontaktakšus no barojošā elektrotīkla vai izņemiet no tā akumulatoru.** Šādi iespējams samazināt elektroinstrumenta nejaušanas ieslēgšanās risku.
- d) **Elektroinstrumentu, kas netiek darbināts, uzglabājiet piemērotā vietā, kur tas nav sasniedzams bērniem un personām, kuras neprot rīkoties ar instrumentu.** Ja elektroinstrumentu lieto nekompetentas personas, tas var apdraudēt cilvēku veselību.
- e) **Rūpīgi veiciet elektroinstrumenta apkalpošanu. Pārbaudiet, vai kustīgās daļas darbojas bez traucējumiem un nav iespīlētas, vai kāda no daļām nav salauzta vai bojāta, vai katra no tām pareizi funkcionē un pilda tai paredzēto uzdevumu. Nodrošiniet, lai bojātās daļas tiktu savlaicīgi nomainītas vai remontētas pilnvarotā remontu darbnīcā.** Daudzi nelaimes gadījumi notiek tāpēc, ka elektroinstruments pirms lietošanas nav pienācīgi apkalpots.
- f) **Savlaicīgi notīriet un uzasiniet griezošos darbinstrumentus.** Rūpīgi kopti instrumenti, kas apgādāti ar asiem griezējinstrumentiem, ļauj strādāt daudz ražīgāk un ir vieglāk vadāmi.
- g) **Lietojiet vienīgi tādus elektroinstrumentus, papildpiederumus, darbinstrumentus utt., kas paredzēti attiecīgajam pielietojuma veidam. Bez tam jāņem vērā arī konkrētie darba apstākļi un pielietojuma īpatnības.** Elektroinstrumentu lietošana citiem mērķiem, nekā to ir paredzējusi ražotāji, ir bīstama un var novest pie neparedzamām sekām.

#### 5) APKALPOŠANA

- a) **Nodrošiniet, lai Instrumenta remontu veiktu kvalificēts personāls, nomainītajam izmantojot oriģinālās rezerves daļas un piederumus.** Tikai tā iespējams panākt instrumenta ilgstošu un nevainojamu darbību bez atteikumiem.

### DARBA DROŠĪBAS NOTEIKUMI VIRSFRĪZI

#### VISPĀRĒJIE DROŠĪBAS NOTEIKUMI

- Šo instrumentu nedrīkst izmantot personas, kas jaunākas par 16 gadiem
  - **Pirms instrumenta regulēšanas vai piederumu nomainīšanas atvienojiet to no barojošā elektrotīkla**
- #### PAPILDPIEDERUMI
- Firma SKIL garantē instrumenta nevainojamu darbību tikai tad, ja tiek lietoti oriģinālie papildpiederumi
  - Lietojiet tikai tādus darbinstrumentus, kuru pieļaujamais darbības ātrums ir vismaz tikpat liels, kā instrumenta maksimālais brīvgaitas ātrums

- Nelietojiet bojātus vai deformētus darbinstrumentus (frēzes)
- Lietojiet tikai asas frēzes
- Sargājiet darbinstrumentus no triecieniem, sitieniem un smērvielām
- Lietojiet tikai tādus darbinstrumentus, kas izgatavoti no ātrgriezējķēru (HSS) vai ir apgādāti ar cietmateriāla (karbīda) griezējķaunēm

#### PIRMS DARBA UZSĀKŠANAS

- Izvairieties no instrumenta bojājumiem, ko var radīt apstrādājamajā priekšmetā esošās skrūves, naglas vai citi līdzīgi objekti; pirms darba uzsākšanas atbrīvojiet apstrādājamo materiālu no šādiem priekšmetiem
- Vienmēr pārliecinieties, ka spriegums, kas uzrādīts uz instrumenta marķējuma plāksnītes, atbilst padeves spriegumam elektrotīklā (230V vai 240V spriegumam paredzētie instrumenti var darboties arī no 220V elektrotīklā)
- **Neapstrādājiet materiālus, kas satur azbestu** (azbestam piemīt kancerogēnas īpašības)
- **Izmantojiet skavas vai citā drošā veidā nostipriniet un atbalstiet detaļu uz stabilas virsmas** (turot detaļu rokās vai pie ķermeņa, tā var būt nestabila, un jūs varat zaudēt kontroli)
- Nenostipriniet instrumentu, iespējot to skrūvspīlēs
- Lietojiet pilnīgi attīstus un drošus pagarinātājkabeļus, kas paredzēti 16 A strāvai
- Darba laikā instrumenta radītā trokšņa līmenis var pārsniegt 85 dB(A); lietojiet ausu aizsargus
- Materiāla (piemēram, svīnu saturošas krāsas, dažu koka šķirņu, minerālu un metāla) putekļi var būt kaitīgi (saskare ar putekļiem un/vai elpošana var izraisīt alerģiskas reakcijas un/vai elpošanas ceļu saslimšanas operatoram vai klātesošajiem); **izmantojiet putekļu masku un putekļsūcēju, ja to iespējams pievienot**
- Dažu veidu putekļi ir klasificēti kā kancerogēni (piemēram, ozola vai dižskābarža putekļi), jo īpaši apvienojumā ar koksnes kondicionēšanas piedevām; **izmantojiet putekļu masku un putekļsūcēju, ja to iespējams pievienot**
- Ievērojiet ar putekļu savākšanu saistītos nacionālos noteikumus, kas attiecas uz apstrādājamajiem materiāliem
- Pirms instrumenta pievienošanas elektrotīklam pārliecinieties, ka tā ieslēdzējs ir izslēgtā stāvoklī

#### DARBA LAIKĀ

- **Turiet instrumentu aiz izolētas satvervirsmas, jo pastāv iespēja, ka grieznis var skart instrumenta kabeli** (pārgriežot spriegumu nesošus vadus, šis spriegums var nonākt uz instrumenta metāla daļām un radīt operatoram triecienu)
- Darba laikā sekojiet, lai elektrokabelis atrastos drošā attālumā no instrumenta kustīgajām daļām un stieptos prom no darba vietas virzienā uz aizmuguri
- Neizmantojiet instrumentu, ja ir bojāts tā elektrokabelis vai pamatne R ② (aizsargs); to nomainu drīkst veikt tikai pieredzējis speciālists
- Darba laikā netuviniet rokas rotējošajam darbinstrumentam (frēzei)
- Nepārsniedziet maksimāli pieļaujamo frēzēšanas dziļumu, kāds noteikts izmantojamajam darbinstrumentam

- Elektriska vai mehāniska rakstura kļūmes gadījumā nekavējoties izslēdziet instrumentu un atvienojiet kabeļa kontaktdakšu no elektrotīkla
- Ja darba gaitā iesprūst frēze, kā rezultātā instruments sāk darboties rāvienveidīgi, nekavējoties izslēdziet to
- Ja darba laikā pārtrūkst elektrobarošanas padeve vai elektrokabeļa kontaktdakša nejausi atvienojas no elektrotīkla, nekavējoties izslēdziet instrumentu, lai nodrošinātos pret tā patvaļīgu ieslēgšanos
- Nepārslogojiet instrumentu līdz tādai pakāpei, ka tā darbvārpsta tiek pilnīgi nobremzēta

### **PĒC DARBA PABEIGŠANAS**

- Pēc darba pabeigšanas atbrīvojiet sviru H ②, tad paceliet instrumenta galvu augšējā (sākuma) stāvoklī un izslēdziet instrumentu

## **DARBS**

- Darbinstrumenta (frēzes) iestiprināšana un izņemšana ④  
! **izslēdziet instrumentu un atvienojiet to no strāvas kontaktligzdas**

! **pirms darbinstrumenta iestiprināšanas nodrošiniet, lai tā kāts būtu pilnīgi tīrs**  
! **raugieties, lai turētājaptveres izmērs (6 mm, 8 mm) atbilstu**

- apgrieziet instrumentu otrādi
- lai nofiksētu virsfrēzes darbvārpstu, nospiediet tās fiksatoru A (nepieciešamības gadījumā pagrieziet darbinstrumenta turētājaptveres uzgriezni B) un, noturot to nospiešā stāvoklī, rīkojieties šādi

#### **LAI IESTIPRINĀTU DARBINSTRUMENTU:**

- ar uzgriežņu atslēgas C palīdzību nedaudz atskrūvējiet turētājaptveres uzgriezni B
- ievietojiet darbinstrumenta kātu par 3/4 turētājaptverē
- ar uzgriežņu atslēgas C palīdzību stingri pievelciet turētājaptveres uzgriezni

#### **LAI IZŅEMTU DARBINSTRUMENTU:**

- ar uzgriežņu atslēgas C palīdzību nedaudz atskrūvējiet turētājaptveres uzgriezni B
- noņemiet darbinstrumenta
- atlaidiet virsfrēzes darbvārpstas fiksatoru A

! **lai atvieglotu frēzes darbinstrumenta izņemšanu, dažkārt var būt lietderīgi ar uzgriežņu atslēgas palīdzību viegli uzsisst pa turētājaptveres uzgriezni ⑤**

! **pievelciet turētājaptveres uzgriezni, ja tajā nav iestiprināts virsfrēzes darbinstruments, jo tā var sabojāt aptveri**

- Turētājaptveres nomaiņa  
! **izslēdziet instrumentu un atvienojiet to no strāvas kontaktligzdas**

! **pirms turētājaptveres iestiprināšanas nodrošiniet, lai tās ass būtu pilnīgi tīra**

- par 2 vai 3 apgriezieniem atskrūvējiet turētājaptveres uzgriezni B
- ar uzgriežņu atslēgu C viegli uzsisstiet pa turētājaptveres uzgriezni B
- noskrūvējiet turētājaptveres uzgriezni B un izņemiet turētājaptveri (fiksējiet darbvārpstu)
- pagrieziet instrumentu otrādi
- ievietojiet darbvārpstā jaunu turētājaptveri
- uzskrūvējiet turētājaptveres uzgriezni B (fiksējiet darbvārpstu)

! **pievelciet turētājaptveres uzgriezni, ja tajā nav iestiprināts virsfrēzes darbinstruments, jo tā var sabojāt aptveri**

- Frēzēšanas dziļuma regulēšana ⑥  
! **izslēdziet instrumentu un atvienojiet to no strāvas kontaktligzdas**

- pārliecinieties, ka mazais stienis ar dziļuma mērinstrumentu D izbīdās par aptuveni 3 mm (izmantojiet smalkas regulēšanas pogu E) ⑥a
- pagrieziet dziļuma atduri F, lai tās augstākā pozīcija fiksējas stāvoklī tieši zem dziļuma mērinstrumenta D (nulles iestādīšanai) ⑥b
- atskrūvējiet rokturi G, lai dziļuma mērinstruments D nokrīt uz dziļuma atdures F ⑥b
- novietojiet instrumentu uz apstrādājamā priekšmeta
- atbrīvojiet fiksējošo sviru H ⑥c
- laidiet lejup instrumenta galvu, līdz darbinstruments (frēze) saskaras ar apstrādājamā priekšmeta virsmu ⑥d
- pievelciet fiksējošo sviru H ⑥e
- frēzēšanas dziļums tagad ir iestatīts uz 0 mm (atzīmējiet nolasījumu uz dziļuma skalas)
- paceliet dziļuma mērinstrumentu D par vēlamo frēzēšanas dziļumu mm, un pievelciet rokturi G ⑥f
- atbrīvojiet fiksējošo sviru H un pārvietojiet instrumentu atkal uz augšu
- smalkas regulēšanas pogu E, lai iestatītu frēzēšanas dziļumu vēl precīzāk (0–10 mm)
- izmantojot dziļuma atduri F frēzēšanas dziļumu var palielināt atbilstoši par 5 vai 10 mm

! **pēc frēzes nomaiņas no jauna noregulējiet frēzēšanas dziļumu**

- Griešanās ātruma regulēšana ⑦  
Lai iegūtu optimālus rezultātus, veidojot frēzējumu dažādos materiālos
  - ar rītenīša J palīdzību iestādiet vajadzīgo darbības ātrumu (to var darīt arī instrumenta darbības laikā)
  - lai noteiktu pareizo darbvārpstas griešanās ātrumu, izmantojiet tabulu ⑧
  - pirms darba uzsākšanas precizējiet darbvārpstas griešanās ātrumu, veicot nevajadzīga materiāla atgriezuma kontrolapstrādi
- ! **pēc ilgstoša darba ar nelielu darbvārpstas griešanās ātrumu ļaujiet instrumentam atdzist, to aptuveni 3 minūtes darbinot tukšgaitā ar lielu ātrumu**
- Putekļu uzsūkšana ⑨
  - pievienojiet putekļsūcēju instrumenta savienotājam K
- ! **darba laikā vadiet frēzi tā, lai putekļsūcēja caurule nekādā gadījumā netraucētu frēzēšanas procesam**
- Instrumenta darbināšana ⑩
  - iestādiet frēzēšanas dziļumu
  - ! **vienmēr stingri turiet instrumentu ar abām rokām**
  - ! **darba laikā vienmēr turiet instrumentu aiz pelēkās krāsas noturvirsmas (ām)**
  - novietojiet instrumentu uz apstrādājamā priekšmeta
  - lai ieslēgtu instrumentu, nospiediet ieslēdzēju L
  - nobloķējiet slēdzi nepārtrauktas darbības režīmā, nospiežot pogu M
- ! **nogaidiet, līdz virsfrēzes darbvārpstas griešanās ātrums sasniedz nominālo vērtību, un tikai tad kontaktējiet frēzi ar apstrādājamo priekšmetu**



- atbrīvojiet fiksējošo sviru H un lēnām laidiet instrumenta galvu lejup, līdz dziļuma mērinstruments D sasniedz dziļuma atduri F
- pievelciet fiksējošo sviru H
- veiciet frēzēšanu, virzot instrumentu pa apstrādājamu priekšmetu ar vienmērīgu ātrumu
- darba laikā virsfrēzes pamatnei pilnībā jābalstās uz apstrādājamās virsmas
- pārvietojot virsfrēzi pa apstrādājamo virsmu, tā jācenšas vilkt, bet ne stumt
- defiksējiet taustiņu, atkārtoti nospiežot un atlaižot ieslēdzēju L
- pēc darba pabeigšanas atbrīvojiet sviru H un paceliet instrumenta galvu augšējā (sākuma) stāvoklī
- Roktura pozīcijas regulēšana ⑪
  - atbloķējiet abus rokturus, pavirzot pogas N ārējā pozīcijā, un turiet tās, kamēr pagriežat rokturus vēlamajā pozīcijā
  - atlaidiet abas pogas N līdz tās ar klikšķi nokļūst (iespējamās 4 pozīcijas)
- Kā pareizi vadīt virsfrēzi
  - neaizmirstiet, ka virsfrēzes darbinstruments (frēze) griežas pulksteņa rādītāju kustības virzienā
  - frēzēšanas laikā virsfrēzes pārvietošanas virzienam jābūt pretējam darbinstrumenta griešanās virzienam
- Salāgojošā pamatnes ieliktna P iestiprināšana (kopējošajai frēzēšanai ar šablonu) ⑬
- Paralēlās atdures iestiprināšana Q ⑭
  - ievietojiet paralēlās atdures vadstieņus V virsfrēzes R pamatnes atverēs
  - pārvietojiet paralēlo vadotni vajadzīgajā attālumā un nostipriniet to ar 2 skrūvēm V
- Lai paralēlo vadotni izmantotu riņķveida frēzēšanai ⑯
  - ! **apgrīziet paralēlo vadotni otrādi**
  - nostipriniet izcīlni X ar spārnuzgriežņa Y palīdzību, kā parādīts attēlā
  - ievietojiet stiprinājuma stieņus V instrumenta pamatnē R
  - iespiediet izcīlni X smaili atzīmētajā riņķveida frēzējuma centrā
  - nostipriniet vadotni ar 2 skrūvēm W
  - veiciet frēzēšanu, virzot instrumentu pa apstrādājamo priekšmetu ar vienmērīgu ātrumu
- Lai paralēlo vadotni izmantotu kopā ar balstu frēzēšanai pa lieltu līniju Z ⑰
  - nostipriniet balstu frēzēšanai pa lieltu līniju Z (ar uz tā nostiprinātu vadotnes rullīti) kā parādīts attēlā
  - veiciet frēzēšanu, virzot instrumentu gar apstrādājama priekšmeta malu un ieturot nelielu sānu spiedienu

## PRAKTISKI PADOMI

- Lai veiktu frēzēšanu paralēli apstrādājamā priekšmeta malai, izmantojiet paralēlo atduri
- Lai veidotu paralēlos frēzējumus tālu no apstrādājamā priekšmeta malas, rīkojieties šādi ⑱
  - ar divu piespiedējspūļu palīdzību nostipriniet uz apstrādājamā priekšmeta taisnu koka līsti
  - frēzēšanas laikā virziet virsfrēzes pamatni gar nostiprinātās līstes malu, kas šajā gadījumā izpilda paralēlās vadotnes lomu
- Izmantojot darbinstrumentu (frēzi) ar vadizcīlni vai lodīšu gultni, tam darba gaitā jāslīd pa apstrādājamā priekšmeta malu, kurai jābūt īpaši gludai ⑲

- Ja frēzēšanas dziļums ir liels, frēzēšanas operāciju ieteicams sadalīt vairākās kārtās

## APKALPOŠANA / APKOPE

- Šis darbarīks nav paredzēts profesionālai lietošanai
- Uzturiet tīru instrumentu un elektrokabeli (īpaši ventilācijas atveres S ⑳)
- Laiku pa laikam ieeļļojiet instrumenta bīdstieņus T ㉑
- Ja, neraugoties uz augsto izgatavošanas kvalitāti un rūpīgo pēcražošanas pārbaudi, instruments tomēr sabojājas, tas jānogādā remontam firmas SKIL pilnvarotā elektroinstrumentu remonta darbnīcā
  - nogādājiet instrumentu **neizjauktā veidā** kopā ar iegādes dokumentiem tuvākajā tirdzniecības vietā vai firmas SKIL pilnvarotā piegādes apkalpošanas un remonta iestādē (adreses un instrumenta apkalpošanas shēma ir sniegta interneta vietnē [www.skil.com](http://www.skil.com))

## APKĀRTĒJĀS VIDES AIZSARDZĪBA

- **Neizmetiet elektroiekārtas, piederumus un iesaiņojuma materiālus sadzīves atkritumos** (tikai ES valstīm)
  - saskaņā ar Eiropas Savienības direktīvu 2012/19/ES par nolietotajām elektriskajām un elektroniskajām iekārtām un tās atspoguļojumiem nacionālajā likumdošanā, nolietotās elektroiekārtas ir jāsavāc, jāizjauc un jānogādā atsevišķai pārstrādei apkārtējai videi nekaitīgā veidā
  - īpašs simbols ㉒ atgādina par nepieciešamību izstrādājumus izmantot videi nekaitīgā veidā

## ATBILSTĪBAS DEKLARĀCIJA €

- Mēs ar pilnu atbildību paziņojam, ka sadaļā "Tehniskie parametri" aprakstītais izstrādājums atbilst šādiem standartiem vai normatīvajiem dokumentiem: EN 60745, EN 61000, EN 55014, kā arī direktīvām 2004/108/EK, 2006/42/EK, 2011/65/ES, 2009/125/EK (ES noteikums 1194/2012)
- **Tehniskā dokumentācija no:** SKIL Europe BV (PT-SEU/ENG1), 4825 BD Breda, NL

Marijn van der Hoofden      Olaf Dijkgraaf  
Operations & Engineering      Approval Manager




SKIL Europe BV, 4825 BD Breda, NL

05.09.2014

## TROKSNIS/VIBRĀCIJA

- Saskaņā ar standartu EN 60745 noteiktais instrumenta radītā trokšņa skaņas spiediena līmenis ir 84 dB(A) un skaņas jaudas līmenis ir 95 dB(A) (pie tipiskās izkliedes 3 dB), un vibrācijas paātrinājums ir 4,4 m/s<sup>2</sup> (roku-delnu metode; izkliede K = 1,5 m/s<sup>2</sup>)
- Vibrācijas līmenis ir noteikts, izmantojot standartā EN 60745 paredzēto procedūru; to var izmantot, lai salīdzinātu instrumentus un provizoriski izvērtētu vibrācijas iedarbību, lietojot instrumentu minētajiem mērķiem

- instrumenta izmantošana citiem mērķiem vai ar citiem vai nepietiekami koptiem piederumiem var ievērojami **palielināt** kopējo vibrācijas iedarbības pakāpi
- laika periodi, kad instruments ir izslēgts vai arī ir ieslēgts, taču darbs ar to nenotiek, var ievērojami **samazināt** kopējo vibrācijas iedarbības pakāpi
- ! **pasargājiet sevi no vibrācijas iedarbības, veicot instrumenta un tā piederumu tehnisko apkopi, novēršot roku atdzišanu un pareizi organizējot darbu**

LT

## Vertikālijo frezavimo mašina 1840

### ĪVADAS

- Prietaiss yra skirtas medžio, plastikinių ir lengvų statybinų medžiagų briaunų, griovelių, profilių bei išilginių skylių frezavimui, o taip pat frezavimui-kopijavimui pagal šablona
- Šis prietaiss neskirtas profesionaliam naudojimui
- Šio elektrinio įrankio šviesa skirta tiesioginei jo darbo srčiai apšviesti ir netinka buitinių patalpų apšvietimui
- Perskaitykite ir išsaugokite šią naudojimo instrukciją ③

### TECHNINIAI DUOMENYS ①

#### PRIETAISO ELEMENTAI ②

- A Blokatoriaus svirtelę
- B Įvorės veržlė
- C Raktas
- D Gylio ribotuvus
- E Tikslaus nustatymo rankenėlė
- F Pakopinę atramą
- G Reguliavimo rankenėlė (gylio ribotuvus)
- H Užrakto svirtelė
- J Sūkių regulatoriaus ratukas
- K Dulkių siurblio adapteris
- L Įjungimo/išjungimo jungiklis
- M Jungiklio fiksatorius
- N Reguliavimo rankenėlė (rankena)
- O Šviesdiodės lemputės
- P Adapterio plokštė
- Q Lygiagreti atrama
- R Pagrindo plokštė
- S Ventilacinės angos
- T Kreipiančiosios
- V Šoninės atramos strypai
- W Rankenėlė lygiagrečios atramos nustatymui
- X Šoninės atramos kaištis
- Y Šoninės atramos sparnuočiai veržlė
- Z Kreivių frezavimo atrama

### SAUGA

#### BENDROSIOS DARBO SAUGOS INSTRUKCIJOS

**⚠ DĖMESIO!** Perskaitykite visas šias saugos nuorodas ir reikalavimus. Jei nepaisysite žemiau pateiktų saugos nuorodų ir reikalavimų, gali trenkti elektros smūgis,

kilti gaisras ir/arba galite sunkiai susižaloti arba sužaloti kitus asmenis. **Išsaugokite šias saugos nuorodas ir reikalavimus, kad ir ateiityje galėtumėte jais pasinaudoti.** Toliau pateikta tekste vartojama sąvoka "elektrinis įrankis" apibūdina įrankius, maitinamus iš elektros tinklo (su maitinimo laidu), ir akumuliatorinius įrankius (be maitinimo laido).

#### 1) DARBO VIETOS SAUGUMAS

- Darbo vieta turi būti švari ir tvarkinga.** Tinkama ar blogai apšviesta darbo vieta gali tapti nelaimingų atsitikimų priežastimi.
- Nedirbkite tokioje aplinkoje, kur yra degių skysčių, dujų ar dulkių.** Elektriniai įrankiai gali kibirkščiuoti, o nuo kibirkščių dulkės arba susikaupę garai gali užsidegti.
- Dirbdami su elektriniu įrankiu neleiskite šalia būti žiūrovams, vaikams ir lankytojams.** Nukreipę dėmesį į kitus asmenis galite nebesuvaldyti prietaiso.

#### 2) ELEKTROSAUGA

- Maitinimo laido kištukas turi atitikti tinklo rozetės tipą. Kištuko jokiu būdu negalima modifikuoti. Nenaudokite jokių kištuko adapterių su žemintais prietaisais.** Originalūs kištukai, tiksliai tinkantys elektros tinklo rozetei, sumažina elektros smūgio pavojų.
- Venkite kūno kontakto su žemintais paviršiais, tokiais kaip vamzdžiai, šildytuvai, viryklės ar šaldytuvai.** Egzistuoja padidinta elektros smūgio rizika, jei Jūsų kūnas bus žemintas.
- Saugokite prietaisą nuo lietaus ir drėgmės.** Jei vanduo patenka į elektrinį prietaisą, padidėja elektros smūgio rizika.
- Nenaudokite maitinimo laido ne pagal paskirtį, t. y. neneškite prietaiso paėmę už laido, nekabinkite prietaiso už laido, netraukite už jo, norėdami išjungti kištuką iš rozetės. Laidą klokite taip, kad jo neveiktų karštis, jis neišsitemptų alyva ir jo nepažeistų aštrios detalės ar judančios prietaiso dalys.** Pažeisti arba susipynę laidai gali tapti elektros smūgio priežastimi.
- Jei su elektriniu įrankiu dirbate lauke, naudokite tik tokius ilginimo kabelius, kurie tinka lauko darbams.** Naudojant lauko darbams pritaikytus ilginimo kabelius, sumažinamas elektros smūgio pavojus.
- Jei su elektriniu įrankiu neišvengiamai reikia dirbti drėgnoje aplinkoje, naudokite žemimo grandinės pertraukiklį.** Naudojant žemimo grandinės pertraukiklį, sumažėja elektros smūgio pavojus.

#### 3) ŽMONIŲ SAUGA

- Būkite atidūs, sutelkite dėmesį į tai, ką Jūs darote ir, dirbdami su elektriniu įrankiu, vadovaukitės sveiku protu. Nedirbkite su prietaisu, jei esate pavargę arba vartojote narkotikus, alkoholį ar medikamentus.** Akimirksnio neatidumas naudojant prietaisą gali tapti rimtų sužalojimų priežastimi.
- Naudokite asmenines apsaugos priemones ir visuomet užsidėkite apsauginius akinius.** Naudojant asmenines apsaugos priemones, pvz., respiratorių ar apsauginę kaukę, neslystančius batus, apsauginį šalną, klausos apsaugos priemones ir kt., rekomenduojamas dirbant su tam tikros rūšies įrankiais, sumažėja rizika susižeisti.
- Saugokitės, kad neįjungtumėte prietaiso atsitiktinai. Prieš prijungdami elektrinį įrankį prie elektros tinklo**

ir/arba akumulatoriaus, prieš pakeldami ar nešdami įsitikinkite, kad jis yra išjungtas. Jeigu nešdami elektrinį įrankį pirštą laikysite ant jungiklio arba prietaisą įjungsite į elektros tinklą, kai jungiklis yra įjungtas, gali įvykti nelaimingas atsitikimas.

- d) **Prieš įjungdami prietaisą pašalinkite reguliavimo įrankius arba veržlių raktus.** Prietaiso besisukančioje dalyje esantis įrankis ar raktas gali tapti sužalojimų priežastimi.
- e) **Nepervertinkite savo galimybių. Dirbdami atsistokite patikimai ir visada išlaikykite pusiausvyrą.** Patikima stovėseną ir tinkamą kūno laikyseną leis geriau kontroliuoti prietaisą netikėtose situacijose.
- f) **Dėvėkite tinkamą aprangą. Nedėvėkite plačių drabužių ir papuošalų. Saugokite plaukus, drabužius ir pirštines nuo besisukančių prietaiso dalių.** Laisvus drabužius, papuošalus bei ilgus plaukus gali įtraukti besisukančios dalys.
- g) **Jei yra numatyta galimybė prijungti dulkių nusiurbimo ar surinkimo įrenginius, visada įsitikinkite, ar jie yra prijungti ir ar teisingai naudojami.** Naudojant dulkių nusiurbimo įrenginius sumažėja kenksmingas dulkių poveikis.
- 4) **RŪPESTINGA ELEKTRINIŲ ĮRANKIŲ PRIEŽIŪRA IR NAUDOJIMAS**
  - a) **Neperkraukite prietaiso. Naudokite Jūsų darbui tinkamą elektrinį įrankį.** Su tinkamu elektriniu įrankiu Jūs dirbsite geriau ir saugiau, jei neviršysite nurodyto galingumo.
  - b) **Nenaudokite elektrinio įrankio su sugedusiu jungikliu.** Elektrinis įrankis, kurio nebegalima įjungti ar išjungti, yra pavojingas ir jį reikia remontuoti.
  - c) **Prieš reguliuodami prietaisą, keisdami darbo įrankius ar prieš valydami prietaisą, iš elektros tinklo lizdo ištraukite kištuką ir/arba išimkite akumuliatorių.** Ši saugumo priemonė apsaugos jus nuo netikėto prietaiso įsijungimo.
  - d) **Nenaudojamą prietaisą sandėliuokite vaikams ir nemokantiems juo naudotis asmenims neprieinamoje vietoje.** Elektriniai įrankiai yra pavojingi, kai juos naudoja nepatyrę asmenys.
  - e) **Rūpestingai prižiūrėkite prietaisą. Tikrinkite, ar besisukančios prietaiso dalys tinkamai veikia ir niekur neklūva, ar nėra sulūžusių ar šiaip pažeistų dalių, kurios įtakotų prietaiso veikimą.** Prieš vėl naudojant prietaisą pažeistos prietaiso dalys turi būti suremontuotos. Daugelio nelaimingų atsitikimų priežastis yra blogai prižiūrimi elektriniai įrankiai.
  - f) **Pjovimo įrankiai turi būti aštrūs ir švarūs.** Rūpestingai prižiūrėti pjovimo įrankiai su aštriomis pjaunamosiomis briaunomis mažiau stringa ir juos yra lengviau valdyti.
  - g) **Elektrinį įrankį, papildomą įrangą, darbo įrankius ir t. t. naudokite taip, kaip nurodyta šioje instrukcijoje. Taip pat atsižvelkite į darbo sąlygas bei atliekamo darbo pobūdį.** Naudojant elektrinius įrankius ne pagal jų paskirtį galima sukelti pavojingas situacijas.
- 5) **APTARNAVIMAS**
  - a) **Prietaisą turi remontuoti tik kvalifikuotas specialistas ir naudoti tik originalias atsargines dalis.** Taip galima garantuoti, jog prietaisas išliks saugus.

## DARBO SAUGOS NUORODOS DIRBANTIEMS SU VERTIKALIOJO FREZAVIMO MAŠINOMIS

### BENDROJI DALIS

- Šį prietaisą turėtų naudoti tik asmenys, kuriems 16 ir daugiau metų
- **Prieš reguliuojant prietaisą arba keičiant darbo įrankius, ištraukite kištuką iš el. tinklo lizdo**

### PAPILDOMA ĮRANGA

- SKIL gali garantuoti neprikaištingą prietaiso veikimą tik tuo atveju, jei naudojama originali papildoma įranga ir priedai
- Leidžiama naudoti tik tokius įrankius, kurių maksimalus leistinas apsisukimų skaičius yra ne mažesnis, nei maksimalus Jūsų prietaiso sukčių skaičius
- Draudžiama naudoti įtrūkusias ar deformuotas frezas
- Naudoti tik aštrias frezas
- Papildomą įrangą saugokite nuo smūgių, sutrenkimų bei riebalų poveikio
- Su šiuo prietaisu leidžiama naudoti tik pagamintas iš aukštos kokybės greitapjūvio plieno (HSS) arba kietlydinio frezas

### PRIEŠ EKSPLOATACIJĄ

- Saugokite, kad nepažeistumėte prietaiso į ruošinyje esančius varžtus, vinius ir pan; prieš pradėdami darbą juos pašalinkite
- Visada patikrinkite, ar elektros tinklo įtampa sutampa su įtampa dydžiu, nurodytu prietaiso vardinėje lentelėje (prietaisus su nurodyta įtampa 230V ir 240V galima jungti į 220V įtamos elektros tinklą)
- **Draudžiama apdirbti medžiagas, kurių sudėtyje yra asbesto** (asbestas pasižymi vėžį sukeliančiu poveikiu)
- **Dirbinį prie stabilus pagrindo pritvirtinkite spaustuvais ar kitomis tinkamomis priemonėmis** (rangoje laikomas ar į kūną atremtas dirbinys yra nestabilus ir galite nesuvaldyti jo arba įrankio)
- Prietaisą draudžiama tvirtinti mašiniuose spaustuvuose
- Naudodami ilginamuosius kabelius atkreipkite dėmesį į tai, kad kabelis būtų iki galo išvyniotas ir būtų pritaikytas 16 A elektros srovei
- Darbo metu triukšmo lygis gali viršyti 85 dB(A); naudoti klausos apsaugos priemonės
- Kai kurių medžiagų, kaip antai dažų, kurių sudėtyje yra švino, kai kurių medžių rūšių medienos, mineralų ir metalo dulksės gali būti kenksmingos (kontaktas su šiomis dulksėmis arba įkvėptos dulksės gali sukelti operatoriui arba šalia esantiems žmonėms alergines reakcijas ir/arba kvėpavimo sistemos susirgimus); **mūvėkite priešdulkinę puskaukę arba dirbdami naudokite dulkių ištraukimo įrenginį, jei jį galima prijungti**
- Kai kurių rūšių dulksės priskiriamos kancerogeninėms (pvz., ažuolos arba buko medienos dulksės), ypač susimaišiusios su medienos taurinimui naudojamais priedais; **mūvėkite priešdulkinę puskaukę arba dirbdami naudokite dulkių ištraukimo įrenginį, jei jį galima prijungti**
- Vadovaukitės Jūsų šalyje taikomų direktyvų reikalavimais, skirtais medžiagoms, su kuriomis norite dirbti
- Prieš kišdami kištuką į elektros lizdą įsitikinkite, kad prietaisas yra išjungtas

## EKSPLOATACIJA

- **Elektrinį prietaisą laikykite už izoliuotų rankenų, nes pjoviklis gali kliudyti paties prietaiso maitinimo laidą** (įpjovus laidą, kurio teka elektros srovė, atvirose metalinėse elektrinio prietaiso dalyse atsiranda įtampa ir naudotojas gauna elektros smūgį)
  - Pasirūpinkite, kad maitinimo kabelis nebūtų arti besiuskančių prietaiso dalių; klokite jį kuo toliau už prietaiso
  - Prietaisą su pažeistu kabeliu ar pažeista atramine plokštele R ② (= apsauginis įtaisas) naudoti draudžiama; jį turi pakeisti kvalifikuotas elektrikas
  - Įjungiant prietaisą draudžiama laikyti rankas ir pirštus arti frezos
  - Frezuodami niekuomet neviršykite maksimalaus naudojamos frezos frezavimo gylio
  - Atsiradus mechaninio ar elektrinio pobūdžio trukdžiams, tuojau pat išjunkite prietaisą ir ištraukite kištuką iš elektros tinklo lizdo
  - Jeigu freza užsiblokavo ir dėl to atsirado prietaisą veikiančios reakcijos jėgos, prietaisą tuojau pat išjunkite
  - Nutūkūs elektros srovei tinkle arba netyčia ištraukus kištuką iš lizdo, nedelsdami išjunkite prietaisą, taip apsaugant nuo netikėto pakartotino įsijungimo
  - Dirbdami neapkraukite prietaiso tiek, kad jis sustotų
- ### PO EKSPLOATACIJOS
- Pabaigę darbą, atlaisvinkite svirtelę H ②, ir pakelkite prietaisą į pradinę viršutinę padėtį, jį išjunkite

## NAUDOJIMAS

- Frezos įdėjimas ir išėmimas ④
  - ! **išjunkite prietaisą ir ištraukite kištuką iš lizdo**
  - ! **pasirūpinkite, kad frezos kotas būtų visiškai švarus**
  - ! **frezos koto diametras turi atitikti suspaudžiamos įvorės diametrą (6 mm, 8 mm)**
  - apverskite prietaisą
  - užblokuokite suklij, nuspausdami blokatoriaus svirtelę A (jei reikia, šiek tiek pasukite suspaudžiamąją veržlę B), ir laikykite jį užblokuotą, kol
- ĮSTATANT FREŽĄ:
  - raktu C atsuksite suspaudžiamąją veržlę B
  - įstąsite frežą į suspaudžiamąją įvorę per 3/4 jos koto ilgio
  - raktu C užversite suspaudžiamąją veržlę B
- ĮŠIMANT FREŽĄ:
  - raktu C atsuksite suspaudžiamąją veržlę B
  - išimkite frežą
  - atleiskite blokatoriaus svirtelę A
- ! **tvirtai įstrigusią frežą galima atlaisvinti lengvai sudavus raktu per suspaudžiamąją veržlę ⑤**
- ! **jokiu būdu neveržti suspaudžiamosios veržlės, jei suspaudžiamoje įvorėje nėra įstatyta freza; priešingu atveju galite sugadinti suspaudžiamąją įvorę**
- Suspaudžiamosios įvorės keitimas
  - ! **išjunkite prietaisą ir ištraukite kištuką iš lizdo**
  - ! **pasirūpinkite, kad suklio velenas būtų visiškai švarus**
  - atlaisvinkite suspaudžiamąją veržlę B, pasukdami ją 2 ar 3 apsisukimus
  - veržliarakiu C atsukite suspaudžiamąją veržlę B

- nuimkite suspaudžiamąją veržlę B ir įvorę (prieš tai užblokuokite suklio veleną)
- apverskite prietaisą
- įstatykite naują suspaudžiamąją įvorę
- užsukite suspaudžiamąją veržlę B (prieš tai užblokuokite suklio veleną)
- ! **jokiu būdu neveržti suspaudžiamosios veržlės, jei suspaudžiamoje įvorėje nėra įstatyta freza; priešingu atveju galite sugadinti suspaudžiamąją įvorę**
- Frezavimo gylio nustatymas ⑥
  - ! **išjunkite prietaisą ir ištraukite kištuką iš lizdo**
  - patikrinkite, kad strypelis gylio ribotuve D būtų išlindęs maždaug 3 mm (naudokite tikslaus nustatymo rankenėlę E) ⑥a
  - pakopinę atramą F pasukite taip, kad jo aukščiausia padėtis užsifiksuotų tiesiai po gylio ribotuvu D (nulinei reikšmei nustatyti) ⑥b
  - atleiskite rankenėlę G taip, kad gylio ribotuvus D užeitų ant atramos kaišio atramos F ⑥b
  - uždėkite prietaisą ant ruošinio
  - atleiskite fiksavimo svirtį H ⑥c
  - nuleiskite prietaisą žemyn, kol freza palies ruošinio paviršių ⑥d
  - priveržkite tvirtinimo svirtį H ⑥e
  - dabar frezavimo gylis nustatytas į 0 mm (žr. reikšmę, nurodytą ant gylio skalės)
  - pakelkite gylio ribotuvą D tiek milimetrų, koks yra nustatomas frezavimo gylis, ir priveržkite rankenėlę G ⑥f
  - atleiskite fiksavimo svirtį H ir nukreipkite instrumentą atgal
  - tikslaus nustatymo rankenėle E nustatykite tikslesnį frezavimo gylį (0–10 mm)
  - naudojant pakopinę atramą F frezavimo gylį galima atitinkamai padidinti 5 arba 10 mm
- ! **pakeitę frezas, vėl pakoreguokite frezavimo gylio nustatymą**
- Sūkių reguliavimas ⑦
  - Jei norite pasiekti optimalų frezavimo rezultatą apdirbant skirtingas medžiagas
  - ratuku J pasirinkite reikiamus sūkius (tai galima atlikti ir prietaisui veikiant)
  - pasirinkdami tinkamus frezavimui sūkius, pasinaudokite rekomendacine lentele ⑧
  - prieš pradėdami dirbti nustatykite optimalų greičio derinį išmėgindami įvairius variantus ant nereikalingo ruošinio gabalo
  - ! **ilgesnį laiką dirbė naudodami mažus sūkius, leiskite prietaisui apie 3 minutes veikti laisvąja eiga maksimaliais sūkiiais, kad jis atvėstų**
- Dulkių nusiurbimas ⑨
  - užmaukite nusiurbimo žarną ant adapterio K
  - ! **saugokite, kad siurblio žarna netrukdytų frezuoti**
- Prietaiso naudojimas ⑩
  - nustatykite frezavimo gylį
  - ! **visuomet tvirtai laikykite prietaisą abiem rankomis**
  - ! **dirbdami laikykite prietaisą už pilkos spalvos suėmimo vietos(-ų)**
  - uždėkite prietaisą ant ruošinio
  - prietaisas įjungiamas nuspaužiant jungiklį L

- ketindami dirbti nepertraukiamai, jungiklį užfiksuokite paspausdami mygtuką M
- ! **freza pirmiausia turi pasiekti didžiausią sukimosi greitį, ir tik po to ją galima glausti prie ruošinio**
- atlaisvinkite fiksavimo svirtį H ir lėtai pastumkite instrumentą žemyn, kol gylio ribotuvas D pasiekė pakopinę atramą F
- priveržkite tvirtinimo svirtį H
- tolygiai stumdami prietaisą, pradėkite frezuoti
- prietaiso atraminę plokštę priglauskite prie ruošinio paviršiaus ir veskite prietaisą, nevartydami jo ruošinio plokštumos atžvilgiu
- frezuojant reikia laikytis bendros taisyklės: prietaisą reikia "traukti", o ne stumti
- fiksavimą galite išjungti vėl nuspausdami jungiklį L ir jį atleisdami
- pabaigę darbą, atlaisvinkite svirtelę H ir pakelkite prietaisą į pradinę viršutinę padėtį
- Rankenėlės padėties nustatymas ⑪
  - atfiksukite abi rankenas, paslinkdami rankenėles N į išorinę padėtį, ir laikykite jas sukdami rankenas į norimą padėtį
  - atleiskite abi rankenėles N, kol jos spragtelėdamos užsifiksuos (galimos 4 padėtyms)
- Kaip teisingai vesti prietaisą, atliekant įvairius pjūvius
  - atkreipkite dėmesį, kad freza sukasi laikrodžio rodyklės kryptimi
  - visuomet prietaisą veskite taip, kad frezos sukimosi kryptis būtų nukreipta link ruošinio, o ne į šalį nuo jo
- Adapterio plokštės P montavimas (frezavimui pagal šabloną) ⑬
- Šoninės atramos montavimas Q ⑭
  - kreipiančiuosius strypus V įstatyti į pagrindo plokštę R
  - šoninę atramą nustatykite norimu atstumu ir priveržkite 2 sraigtais W
- Šoninės atramos naudojimas kaip įtaiso apskritimams frezuoti ⑮
  - ! **pirmiausiai apverskite šoninę atramą**
  - smaigą X pritvirtinkite veržle Y, kaip parodyta paveikslėlyje
  - kreipiančiuosius strypus V įstatykite į pagrindo plokštę R
  - įsmeikite smaigą X pažymėtame apskritimo centre
  - šoninę atramą priveržkite 2 sraigtais W
  - tolygiai stumdami veskite prietaisą ruošinio paviršiumi
- Šoninės atramos naudojimas su kreiviu frezavimo atrama Z ⑯
  - sumontuokite kreivį frezavimo atramą Z (su kreipiamuoju ratuku), kaip parodyta paveikslėlyje
  - lengvai spausdami iš šono prie ruošinio veskite prietaisą išilgai ruošinio krašto

## NAUDOJIMO PATARIMAI

- Jei norite tiksliai atlikti ruošinio kraštui lygiagrečius pjūvius, naudokite šoninę atramą
- Jei norite atlikti lygiagrečius pjūvius toliau nuo ruošinio krašto ⑩
  - prie ruošinio 2 veržtuvais pritvirtinkite tiesią medinę juostelę, kurią panaudokite kaip kreipiančiąją liniuotę
  - priglauskite prie jos atraminės plokštės kraštą ir stumkite prietaisą išilgai šios liniuotės

- Naudojant frezą su atraminio kakliuku arba guoliuku, prietaisą reikia vesti taip, kad atraminis frezos kakliukas arba guoliukas remtųsi į ruošinio kraštą, kuri s turi būti kuo lygesnis ⑦
- Norint išfrezuoti didesnio gylio profilius yra rekomenduojama atlikti keletą praėjimų mažesniu gyliu

## PRIEŽIŪRA / SERVISAS

- Šis prietaisas neskirtas profesionaliam naudojimui
- Periodiškai valykite prietaisą ir kabeį (ypač ventiliacijos angas S ②)
- Retkarčiais patepkite kreipiančiąsias T ②
- Jeigu prietaisas, nepaisant gamykoje atliekamo kruopštaus gamybos ir kontrolės proceso, vis dėlto sugestų, jo remontas turi būti atliekamas įgaliotose SKIL elektrinių įrankių remonto dirbtuvėse
  - **neišardyta** prietaisą kartu su pirkimo čekiu siųskite tiekėjui arba į artimiausią SKIL firmos įgaliotą elektros prietaisų techninio aptarnavimo tarnybą (adresus bei atsarginių dalių brėžinius rasite [www.skil.com](http://www.skil.com))

## APLINKOSAUGA

- **Nemeskite elektrinių įrankių, papildomos įrangos ir pakuočių į buitinių atliekų konteinerius** (galioja tik ES valstybėms)
  - pagal ES Direktyvą 2012/19/EG dėl naudotų elektrinių ir elektroninių prietaisų atliekų utilizavimo ir pagal vietinius valstybės įstatymus atitarnavę elektriniai įrankiai turi būti surenkami atskirai ir gabenami į antrinių žaliavų tvarkymo vietas, kur jie turi būti sunaikinami ar perdirbami aplinkai nekenksmingu būdu
  - apie tai primins simbolis ⑱, kai reikės išmesti atitarnavusį prietaisą

## ATITIKTIYS DEKLARACIJA C E

- Atsakingai pareiškiame, kad skyriuje "Techniniai duomenys" aprašytas gaminys atitinka žemiau pateiktus standartus ir norminius dokumentus: EN 60745, EN 61000, EN 55014 pagal direktyvų 2004/108/EB, 2006/42/EB, 2011/65/ES, 2009/125/EB (ES reglamentavimas 1194/2012) reikalavimus
- **Techninė byla laikoma:** SKIL Europe BV (PT-SEU/ENG1), 4825 BD Breda, NL

Marijn van der Hoofden  
Operations & Engineering

Olaf Dijkgraaf  
Approval Manager

SKIL Europe BV, 4825 BD Breda, NL

05.09.2014

## TRIUKŠMINGUMAS/VIBRACIJA

- Šio prietaiso triukšmingumas buvo išmatuotas pagal EN 60745 reikalavimus; keliamo triukšmo garso slėgio lygis siekia 84 dB(A) ir akustinio galingumo lygis 95 dB(A) (standartinis nuokrypis: 3 dB), ir vibracijos pagreitis rankos plaštakos srityje tipiniu atveju yra mažesnis, kaip 4,4 m/s<sup>2</sup> (paklaida K = 1,5 m/s<sup>2</sup>)

- Vibracijos sklaidos lygis išmatuotas pagal standartą EN 60745 išdėstytais standartizuoto bandymo reikalavimus; ši vertė gali būti naudojama vienam įrankiui palyginti su kitu bei išankstiniams vibracijos poveikiui įvertinti, kai įrankis naudojamas paminėtais būdais
- naudojant įrankį kitokiais būdais arba su kitokiais bei netinkamai prižiūrimais priedais, gali žymiai **padidėti** poveikio lygis
- laikotarpiams, kai įrankis išjungtas arba yra įjungtas, tačiau juo nedirbama, gali žymiai **sumažėti** poveikio lygis
- ! **apsisaugokite nuo vibracijos poveikio prižiūradami įrankį ir jo priedus, laikydami rankas šiltai ir derindami darbo ciklus su pertraukėlėmis**

МК

## Насочувач

1840

### УПАТСТВО

- Алатот е наменет за правење жлебови, рабови, профили и продолжени отвори во дрво, пластика и лесни градежни материјали, како и да ги копира веќе направените зафати
- Овој алат не е наменет за професионална употреба
- Светлото на овој електричен апарат е наменето да го осветли директно полето на работа на електричниот апарат и не е погодно за просторно осветлување во домаќинството
- Внимателно прочитајте го и зачувајте го ова упатство за ракување ③

### ТЕХНИЧКИ ПОДАТОЦИ ①

#### ЕЛЕМЕНТИ НА АЛАТОТ ②

- A Држач за вратилото
- B Навртка за обрачот
- C Клуч
- D Граничник за длабочина
- E Регулатор за фино прилагодување
- F Кугла за ограничување на длабочината
- G Регулатор за прилагодување (одредување длабочина)
- H Рачка за заклучување
- J Тркало за избор на брзината
- K Продолжение за правосмукалка
- L Прекинувач за вклучување/исклучување
- M Копче за блокирање на прекинувачот
- N Регулатор за прилагодување (рачка)
- O ЛЕД-светилки
- P Плоча за адаптирање
- Q Водилка
- R Основна потпора
- S Отвори за вентилација
- T Лизгачки лостови
- V Лостови за паралелно наведување
- W Копче за прилагодување на работ за прободување
- X Игла за паралелно наведување
- Y Навртка со крилца за паралелната водилка
- Z Амортизер за кривини

## БЕЗБЕДНОСТ

### ОПШТИ УПАТСТВА ЗА БЕЗБЕДНОСТ

**⚠ ПРЕДУПРЕДУВАЊЕ!** Сите упатства мора да се прочитаат. Непочитување на долу наведените упатства може да предизвика струен удар, пожар и/или тешки повреди. **Чувајте ги сите предупредувања и напатствија за во иднина.** Поимот “електричен алат”, кој се користи во понатамошниот текст, се однесува на вашиот електричен алат (со приклучен кабел) и на електрични алати со погон (без приклучен кабел).

#### 1) БЕЗБЕДНОСТ НА РАБОТНОТО МЕСТО

- Одржувајте го вашето работно место чисто и уредно.** Неуреден или темен работен простор може да предизвикаат незгоди.
- Немојте да работите со уредот во средина во која има опасност од експлозија, во која има запаливи течности, гасови и прашина.** Електричните алати произведуваат искри кои можат да запалат прашина или пареа.
- За време на употребата на електричниот алат, децата и останатите лица држете ги подалеку од местото каде работите.** Одвркање, би можеле да изгубите контрола врз уредот.

#### 2) ЕЛЕКТРИЧНА СИГУРНОСТ

- Утинач мора да одговара на приклучокот. Никако не смее да се прават измени на штекерот. Не користете адаптерски штекер заедно со уредот кој е заштитен заземјен.** Не променети штекери и соодветни приклучоци го намалуваат ризикот од електричен удар.
- Избегнувајте допир на телото со заземјени површини, како што се цевки, радијатори, рерни и фрижидери.** Постои зголемена опасност од струен удар, доколку Вашето тело е заземјено.
- Чувајте го уредот подалеку од дожд и влага.** Продирањето на вода во електричниот уред ја зголемува опасноста од струен удар.
- Не злоупотребувајте го приклучниот кабел за носење, бесење на уредот или за извлекување на штекерот од мрежниот приклучок. Чувајте го кабелот подалеку од топлина, масло, остри рабови или деловите на апаратот кои се движат.** Оштетени или заплеткани кабли ја зголемуваат опасноста од струен удар.
- Кога го употребувате полначот надвор, користете продолжен кабел кој е соодветен за употреба на отворен простор.** Примената на продолжен кабел соодветен за работа на отворен простор ја намалува опасноста од струен удар.
- Доколку не може да се избегне работа со електричниот алат во влажна средина, користете прекинувач за струјна заштита при технички проблеми.** Употребата на прекинувачот за струјна заштита при технички проблеми го намалува ризикот од електричен удар.

#### 3) БЕЗБЕДНОСТ НА ЛУЃЕ

- Бидете внимателни, внимавајте што правите и постапувајте внимателно додека работите со електричниот алат. Не работете со уредот**

- доколку сте уморни или под дејство на дрога, алкохол или лекови. Еден момент на невнимание при употребата може да доведе до сезиозни повреди.
- b) **Носете ја личната заштитна опрема и секогаш носете заштитни очила.** Носењето на личната заштитна опрема, како што е маската за прашина, безбедносната облека која не се лизга, заштитен шлем или штитник за слух, зависно од видот и примената на електричниот алат, ја намалува опасноста од повреда.
  - c) **Избегнувајте невнимателно вклучување за време на работата. Осигурајте се прекинувачот да биде во “OFF” позиција пред да го ставите штекерот во приклучокот.** Доколку го носите електричниот алат со прстот на прекинувачот или го приклучувате апаратот кој е приклучен со напојување на струја, може да предизвикате незгоди.
  - d) **Пред вклучување на уредот, тргнете ги вилатите за подесување или клучот за навртување.** Алатот или клучот кој се наоѓа во вртливиот дел на уредот, може да предизвика незгода.
  - e) **Не ги преценувајте своите способности. Завземете сигурен и стабилен став и во секој момент одржувајте рамнотежа.** На тој начин можете подобро да го контролирате уредот во неочекувани ситуации.
  - f) **Носете соодветна облека. Не носете широка облека или накит. Носата, обленката и ракавиците држете ги подалеку од деловите кои се движат.** Комотната облека, накитот или долгата коса може да бидат фатени во деловите кои се движат.
  - g) **Доколку може да се монтираат направи за вшмукување и фаќање прашина, проверете дали се вклучени и дали можат исправно да се користат.** Примената на овие направи ја намалува опасноста од прашината.
- 4) ВНИМАТЕЛНА УПОТРЕБА И РАКУВАЊЕ СО ЕЛЕКТРИЧНИТЕ АЛАТИ**
- a) **Не го преоперетувајте уредот. При вашата работа користете го предвидениот електричен алат за таа употреба.** Со соодветниот електричен алат ќе работите подобро и посигурно во наведената функционална област.
  - b) **Не користете електричен алат чиј прекинувач е неисправен.** Електричниот алат кој повеќе не може да се вклучува и исклучува е опасен и мора да се поправи.
  - c) **Извлечете го штекерот од приклучокот пред извршување на било какви подесувања на апаратот, замена на приборот или складирање.** Со овие мерки на внимателност ќе се избегне невнимателното вклучување на уредот.
  - d) **Тргнете го електричниот алат кој не го користите од допирот на децата. Не допуштајте работа со уредот на лица кои не се запознаени со него или кои го немаат прочитано ова упатство.** Електричните алати се опасни доколку со нив работат неискусни лица.
  - e) **Одржувајте го уредот со внимание. Имајте контрола околу тоа дали движечките делови на**

- уредот работат непрекорно и дали не се заглавени, дали деловите се скршени или оштетени до таа мерка што не може да се обезбеди функционирање на уредот. Пред примената, овие оштетени делови треба да се поправат. Причина за многу незгоди е лошо одржуваниот електричен алат.
- f) **Алатите за сечење одржувајте ги остри и чисти.** Внимателно одржуваните алати за сечење со остри оттрици помалку ќе се заглавуваат и со нив работата ќе биде полесна.
  - g) **Електричниот алат, прибор, работни алати итн., треба да ги користите според овие упатства, и на начин кој е опишан за соодветниот тип на уред. При тоа, земете ги предвид работните услови и работата која се извршува.** Употребата на електричните алати за други цели кои не се предвидени, може да предизвика опасни ситуации.
- 5) СЕРВИСИРАЊЕ**
- a) **Поправната на Вашиот уред препуштете им ја само на обучен, стручен надар на овластен сервисер, и само со оригиналните резервни делови.** На тој начин ќе се обезбеди уредот да остане со зачувана безбедност.

## БЕЗБЕДНОСНО УПАТСТВО ЗА ФРЕЗИ

### ОПШТИ

- Овој алат не треба да го користат лица под 16 години
- **Обезбедете се алатот да е исклучен од струја пред да вршите било какво подесување или замена на приборот**

### ПРИБОР

- SKIL може да признае гаранција само доколку е користен оригинален прибор
- Користете само прибор чија дозволена брзина е во најмала рака еднаква на најголемата брзина при празен од на електричниот алат
- Не користете оштетени или деформирани бургии за фрезата
- Користете само остри бургии за фрези
- Заштитете го приборот од потреси, удари и масни површини
- Користете само бургии од висококвалитетен челик (HSS) или со карбиден врв (CT) со овој алат

### ПРЕД УПОТРЕБА

- Избегнувајте оштетувања од штрафови, шајки и други предмети во местото каде работите; тргнете ги пред да почнете со работа
- Секогаш проверувајте напонот да е ист со оној кој е назначен на плочката на алатот (алатите за напон од 230V или 240V исто така може да се поврзат и на напон од 220V)
- **Не обработувајте нинанов материјал кој содржи азбест** (азбестот важи за предизвикувач на рак)
- **Користете стегачи или друг практичен начин за да го обезбедите и потпрете парчето за работа на стабилна платформа** (парчето за работа е нестабилно ако го држите парчето со рака или потпрено на телото со што може да ја загубите контролата)
- Немојте да го прицврстувате електричниот алат во менгеме

- Продолжениот кабел кој го користите, мора да биде сосема одмотан и безбеден, со капацитет од 16 А
- Нивото на бучава додека работите може да изнесува повеќе од 85 dB(A); носете заштита за ушите
- Прашината од материјали како боја која содржи олово, некои видови дрво, минерали и метали, може да биде штетна за здравјето (контактот со прашина или нејзиното вдишување може да шредизвика алергии и/или болести на дишните органи за оној кој работи со алатот или луѓето во близина); **носете маска за прашина и работете со правосмунални доколку можете да ги поврзете**
- Некои видови на прашина се канцерогени (како на пример прашина од даб или бука), особено заедно со адитиви за одржување на дрвото; **носете маска за прашина и работете со правосмунални доколку можете да ги поврзете**
- Следете ги процедурите на вашата земја за прашина која се јавува како резултат од материјалите со кои работите
- Проверете дали алатот е исклучен кога го приклучувате во приклучокот

#### ВО ТЕКОТ НА УПОТРЕБАТА

- **Држете го алатот под напон за изолираните површини на држење бидејќи сечивото може да го пресече кабелот** (ако се пресече жица под напон, металните делови на алатот се исто така под напон и може да предизвикаат електричен шок за работникот)
- Кабелот секогаш држете го подалеку од деловите на алатот кои се движат; кабелот држете го на задната страна, на страна од алатот
- Никогаш не користете го алатот кога кабелот или основната потпора R ② (=заштитниот штитник) се оштетени. Нека ги замени квалификувано лице
- Држете ги рацете и прстите подалеку од бургијата на фрезата кога е вклучен алатот
- Никогаш не надминувајте ја максималната длабочина за бургијата на фрезата додека сечете
- Во случај да дојде до електричен или механички дефект, веднаш исклучете го алатот и исклучете го од приклучокот
- Веднаш исклучете го алатот ако бургијата на фрезата се блокира што ќе доведе до затресување на алатот
- Веднаш исклучете го алатот ако снеса струја или ако приклучокот несакајќи се извлече од штекерот за да спречите неконтролирано повторно вклучување
- Не применувајте премногу сила врз алатот со што ќе предизвикаат комплетно застанување

#### ПО УПОТРЕБА

- Кога ќе завршите со работа, разлабавете ја рачката H ②, однесете го алатот назад кон горната почетна позиција и исклучете го алатот

#### УПОТРЕБА

- Поставување/вадење на бургиите на фрезата ④  
! **исклучете го алатот и извадете го од приклучокот**  
! **проверете дали вратилото за бургијата е совршено чисто**

- ! **проверете дали големината на стегата (6 мм, 8 мм) соодветствува со големината на вратилото за бургијата на фрезата**
- свртете го алатот наопаку
- заклучете го вратилото со притискање на држачот А (свртете ја навртката на стегата В ако е неопходно) и држете ја

#### ЗА ПОСТАВУВАЊЕ:

- разлабавете ја навртката на стегата В со клуч С
  - вметнете ја бургијата за 3/4 во стегата
  - затегнете ја навртката на стегата цврсто со клуч С
- #### ЗА ВАДЕЊЕ:
- разлабавете ја навртката на стегата В со клуч С
  - извадете ја бургијата
  - ослободете го држачот А

- ! **треба да ја потчуннете навртката на стегата со клуч за да ја разлабавите бургијата на фрезата** ⑤

- ! **никогаш не стегайте ја навртката на стегата ако нема бургија; стегата може да се оштети**

- Менување на стегата

- ! **исклучете го алатот и извадете го од приклучокот**

- ! **проверете дали вратилото за стегата е совршено чисто**

- разлабавете ја навртката за стегата со В 2 или 3 вртења
- потчуннете ја навртката на стегата В со клуч С
- извадете ги навртката за стегата В и стегата (заклучено вратило)
- свртете го алатот наопаку
- ставете нова стегата во вратилото за стегата
- поставете навртка за стегата В (заклучено вратило)

- ! **никогаш не стегайте ја навртката на стегата ако нема бургија; стегата може да се оштети**

- Прилагодување на длабочината за работа ⑥

- ! **исклучете го алатот и извадете го од приклучокот**

- проверете дали малиот лост во мерачот за длабочина D излегува најмалку 3 мм (користете го регулаторот за фино прилагодување E) ⑥а
- свртете ја куглата F така што најгорната позиција ќе кликне на своето место под мерачот за длабочина D (за порамнување) ⑥б
- разлабавете го регулаторот G така што мерачот за длабочина D ќе падне врз куглата за ограничување на длабочината F ⑥б
- поставете го алатот на работната површина
- разлабавете ја рачката за заклучување H ⑥в
- притиснете го алатот надолу за да може бургијата да дојде во контакт со парчето за обработка ⑥г
- затегнете ја рачката за заклучување H ⑥д
- сега длабочината за работа е поставена на 0 мм (мерна вредност како што е прикажано на скалата за длабочина)
- подигајте го мерачот за длабочина D за онолку милиметри како што е саканата длабочина и потоа затегнете го регулаторот G ⑥f
- разлабавете ја рачката за заклучување H и носете го алатот одново нагоре



- користете го регулаторот за фино прилагодување Е за да ја поставите длабочината за работа уште попрецизно (0-10 мм)
- со куглата за ограничување на длабочината F, длабочината за работа може да се зголеми за 5 или 10 мм соодветно
- ! **прилагодете ја одново длабочината за работа откако ќе ги смените бургиите на фрезата**
- Контрола на брзината ⑦
  - За оптимални резултати кај различни материјали
  - изберете брзина за работа со тркалцето J (исто и кога алатот работи)
  - погледнете ја табела ⑧ за да ја одредите вистинската брзина за работа
  - пред да почнете со работата, пронајдете ја оптималната брзина преку тестирање на стариот материјал
  - ! **по подолг период на работа со помала брзина, мора да го пуштите алатот да се олади, така што ќе работи околу 3 минути на поголема брзина, без оптеретување**
- Вшмукување прашина ⑨
  - повзете ја правосмукалката за продолжетокот K
  - ! **никогаш не дозволувајте цревото од правосмукалката да се попречи во работата на длабење**
- Работа со алатот ⑩
  - прилагодете ја длабочината за работа
  - ! **секогаш држете го алатот цврсто со двете раце**
  - ! **додека работите, секогаш држете го алатот за местото (местата) кое (кои) се означени со сива боја**
  - поставете го алатот на работната површина
  - вклучете го алатот со пуштање на прекинувачот L
  - заклучете го прекинувачот за континуирана употреба со притискање на копчето M
  - ! **алатот треба да работи со полна брзина пред бургијата да го допре материјалот за обработка**
  - разлабавете ја рачката за заклучување H и полена потиснете го алатот надолу додека мерачот за длабочина D не допре до куглата за ограничување на длабочината F
  - затегнете ја рачката за заклучување H
  - извршувајте ја постапката за длабење со рамномерно движење
  - користете го алатот со рамно поставена основна потпора врз работната површина
  - генерално правило е да се влече алатот, не треба да се турка
  - отклучете го прекинувачот со повторно повлекување на прекинувачот L и отпуштање
  - кога ќе завршите со работа, разлабавете ја рачката H, однесете го алатот назад кон горната почетна позиција
- Прилагодување на држачите за работа ⑪
  - отклучете ги двата држачи со лизгање на регулаторите N кон надвор и држете ги додека ги вртите држачите на саканата позиција
  - пуштете ги двата регулатори N да легнат на местото (4 можни позиции)

- Правилно водење ⑫
  - имајте предвид дека бургијата на фрезата се врти во правецот на стрелките на часовникот
  - водете го алатот така што бургијата ќе навлегува во материјалот за обработка, не треба да излегува од него
- Поставување на плочата за адаптерот P (за копирање со урнеќ) ⑬
- Поставување на паралелното наведување Q ⑭
  - вметнете ги лостовите за паралелно наведување V низ отворите во основната потпора R
  - лизнете ја паралелната водилка до саканата широчина и затегнете ја со двата регулатора W
- Употреба на паралелната водилка како циркуларна водилка ⑮
  - ! **прво свртете ја паралелната водилка**
  - затегнете ја иглата X со навртката со крилца Y како што е посочено
  - вметнете ги лостовите V во основната потпора R
  - боцнете ја иглата X во обележаниот центар на циркуларниот лак
  - затегнете ја паралелната водилка со 2 регулатора W
  - водете го алатот со рамномерна стапка низ материјалот за обработка
- Употреба на паралелната водилка со амортизерот за кривини Z ⑯
  - поставете го амортизерот за кривини Z (со поставен ролер за наведување) како што е прикажано
  - водете го алтот долж работ на материјалот за обработка со лесен страничен притисок

## СОВЕТИ ЗА ПРИМЕНА


- За пресеци паралелни со страната на материјалот за обработка се користи паралелната водилка
- За правене паралелни пресеци коишто се подалеку од работ на материјалот за обработка ⑩
  - затегнете право парче дрво на материјалот за обработка со 2 стеги
  - водете го алатот со основната потпора долж работ којшто сега има функција на паралелна водилка
- При употреба на бургии со пилот или со топче, пилотот или топчето треба да лизгаат долж работ на материјалот за обработка кој пак треба да биде совршено рамен ⑰
- За поголеми длабочини на работа, се препорачува да се извршат неколку последователни длабења со помали стапки на отстранување

## ОДРЖУВАЊЕ/СЕРВИСИРАЊЕ

- Овој алат не е наменет за професионална употреба
- Алатот и кабелот секогаш да се одржуваат чисти (особено отворите за ладење S ②)
- Подмачкувајте ги лизгачките лостови T ② од време на време
- Доколку алатот и покрај внимателното работење и контрола некогаш откаже, поправката мора да ја изврши некој овластен SKIL сервис за електрични алати

- во случај на примедба, испратете го алатот **нерасклопен**, заедно со сметкопотврдата, до вашиот продавач или најблискиот SKIL сервис (адресите се наведени на [www.skil.com](http://www.skil.com))

## ЗАШТИТА НА ЖИВОТНАТА СРЕДИНА

- **Не се ослободувајте од електрични алати, уреди или амбалажа преку нивно фрлање во домашното губре** (само за земјите на ЕУ)
  - според Европската Директива 2012/19/ЕС за ослободување од електрична и електронска опрема и нејзина имплементација во согласност со националните закони, електричните алати кои го достигнале крајот на својот животен век мора да бидат собрани посебно и да бидат вратени во соодветен објект за рециклирање
  - симболот  ќе ве потсетува на ова кога ќе дојде време алатот да го фрлите

## ДЕКЛАРАЦИЈА ЗА УСОГЛАСЕНОСТ CE

- Со целосна одговорност изјавуваме дека производот опишан кај "Технички податоци" е усогласен со следните стандарди или документи за стандардизација: EN 60745, EN 61000, EN 55014 во согласност со одредбите во директивите 2004/108/EG, 2006/42/EG, 2011/65/EU, 2009/125/EG (EU регулатива 1194/2012)
- **Техничко досије во:** SKIL Europe BV (PT-SEU/ENG1), 4825 BD Breda, NL

Marijn van der Hoofden  
Operations & Engineering

Olaf Dijkgraaf  
Approval Manager

SKIL Europe BV, 4825 BD Breda, NL

05.09.2014

### БУЧАВА/ВИБРАЦИИ

- Мерево во согласност со EN 60745 нивото на звучен притисок е 84 dB(A) а нивото на звучна моќност 95 dB(A) (стандардно отстапување: 3 dB), и вибрација 4,4 m/c<sup>2</sup> (hand-arm метода; несигурност K = 1.5 m/c<sup>2</sup>)
- Нивото на емитирање на вибрации кое е наведено на задниот дел на ова упатство е измерено во согласност со стандардизираниот тест даден во EN 60745; може да се користи за да се спореди еден алат со друг, и како првична оценка за изложеноста на вибрации кога се користи алатот за споменатите примени
  - користењето на алатот за разни примени, или со различни или неправилно чувани делови, може да доведе до значајно **зголемување** на нивото на изложеност
  - кога алатот е исклучен или кога алатот е вклучен но не врши некаква работа, може да дојде до значително **намалување** на нивото а изложеност


- ! **заштитете се од ефектите на вибрациите преку одржување на алатот и неговите делови, одржување на топлината во вашите раце, и организирање на вашата работа**

AL

## Frezë shkallëzuese

1840

### HYRJJE

- Kjo pajisje është e projektuar për frezimin e kanaleve, anëve, profileve dhe vrimave të zgjatura në dru, plastikë dhe në materiale të lehta ndërimit si dhe për të kopjuar modele
- Kjo vegël nuk është e projektuar për përdorim profesional
- Drita e kësaj vegle është e projektuar për të ndriçuar zonën e drejtpërdrejtë të punës për pajisjen dhe nuk është e përshtatshme për ndriçimin e dhomave në shtëpi
- Lexoni dhe ruani këtë manual të përdorimit 

### TË DHËNAT TEKNIKE

### ELEMENTET E PAJISJES

- A Bllokimi i boshtit
- B Dadoja tub
- C Çelësi
- D Treguesi i thellësisë
- E Doreza e rregullimit të imët
- F Kupola e ndalimit të thellësisë
- G Doreza rregulluese (treguesi i thellësisë)
- H Leva e bllokimit
- J Butoni i zgjedhjes së shpejtësisë
- K Zgjatimi për fshesën me korrent
- L Çelësi i ndezjes/fikjes
- M Butoni për bllokimin e çelësit
- N Doreza rregulluese (doreza)
- O Dritat LED
- P Pllaka e adaptorit
- Q Rregullatori paralel
- R Pllaka e bazës
- S Të çarët e ajrosjes
- T Shinat rrëshqitëse
- V Shufrat e rregullatorit paralel
- X Çelësi për rregullimin e vizoreve gjatësore
- W Kunji i rregullatorit paralel
- Y Dadoja e krahut të rregullatorit paralel
- Z Amortizatori i harkut

### SIGURIA

#### UDHËZIMET E PËRGJITHSHME PËR SIGURINË

**PARALAJMËRIM!** Lexoni të gjitha paralajmërimet e sigurisë dhe të gjitha udhëzimet. Mosrespektimi i paralajmërimeve dhe udhëzimeve mund të rezultojë në goditje elektrike, zjarr dhe/ose dëmtime të rënda. **Ruani të gjitha paralajmërimet dhe udhëzimet për referencë në të ardhmen.** Termi "pajisje elektrike" në paralajmërimet i referohet pajisjes elektrike që përdoret nga prizat (me kablo) ose pajisjes elektrike me bateri (pa kablo).

## 1) SIGURIA E ZONËS SË PUNËS

- a) **Mbajeni zonën e punës të pastër dhe të ndriçuar mirë.** Zonat e çrregullta ose të errëta janë një ftesë për aksidente.
- b) **Mos i përdorni pajisjet elektrike në situata me mundësi shpërthimi, si në prani të lëngjeve, gazeve ose pluhurave të djegshëm.** Pajisjet elektrike shkaktojnë shkëndija që mund të ndezin pluhurat ose avujt.
- c) **Mbajini fëmijët dhe personat e tjerë larg gjatë përdorimit të veglës së punës.** Tërheqja e vëmendjes mund të shkaktojë humbjen e kontrollit.

## 2) SIGURIA ELEKTRIKE

- a) **Spinat e veglës së punës duhet të përputhen me prizën. Mos modifikoni kurrë spinën në asnjë mënyrë. Mos përdorni asnjë spinë përshtatëse me veglat e punës me tokëzim.** Spinat e pamodifikuara dhe prizat përshtatëse do të zvogëlojnë rrezikun e goditjes elektrike.
- b) **Shmangni kontaktin trupor me sipërfaqe të tokëzuara si tuba, radiatorë, soba dhe frigoriferë.** Ka një rrezik më të madh të goditjeve elektrike nëse trupi është i tokëzuar.
- c) **Mos ekspozoni veglat e punës në shi ose në kushte me lagështi.** Uji që hyn në veglën e punës do të rritë rrezikun e goditjes elektrike.
- d) **Mos abuzoni me kordonin. Mos e përdorni kurrë kordonin për transportin, tërheqjen ose heqjen e spinës së veglës së punës.** Mbajeni kordonin larg nga nxehtësia, vaji, anët e mprehta ose pjesët që lëvizin. Kordonët e dëmtuar ose e bllokuar rrisin rrezikun e goditjes elektrike.
- e) **Kur përdorni një vegël pune në mjedise të jashtme, përdorni një kordon zgjatues të përshtatshëm për përdorim në mjedise të jashtme.** Përdorimi i një kordoni të përshtatshëm për përdorime në mjedise të jashtme zvogëlon rrezikun e goditjes elektrike.
- f) **Nëse përdorimi i veglës së punës në një vend me lagështi është i pashmangshëm, përdorni një automat çarku me shkarkesë me tokëzim.** Përdorimi i një automati me shkarkesë me tokëzim zvogëlon rrezikun e goditjes elektrike.

## 3) SIGURIA PERSONALE

- a) **Qëndroni në gatishmëri, shikoni se çfarë po bëni dhe përdorni gjykimin kur përdorni një vegël pune. Mos e përdorni një vegël pune kur jeni i lidhur ose nën ndikimin e ilaçeve, alkoolit ose mjekimit.** Një moment humbje e vëmendjes gjatë përdorimit të veglave të punës mund të shkaktojë dëmtime të rënda personale.
- b) **Përdorni pajisje personale mbrojtëse. Mbani gjithmonë pajisje për mbrojtjen e syve.** Pajisjet mbrojtëse si maska kundër pluhurit, këpucët që nuk rëshqasin, kaskat ose pajisjet për mbrojtjen e veshëve për kushtet përkatëse do të zvogëlojnë dëmtimet personale.
- c) **Parandaloni ndezjen e rastësishme. Sigurohuni që çelësi është në pozicionin fikur para se të lidhni burimin e energjisë dhe/ose baterinë, para se të merrni ose të transportoni pajisjen.** Transportimi i veglave të punës me gishtin në çelës ose aktivizimi i veglave të punës që kanë çelësin të ndezur është një ftesë për aksidente.

- d) **Hiqni çdo çelës ose çelës përshtatës para ndezjes së veglës së punës.** Një çelës i lënë i lidhur me një pjesë rrotulluese të veglës së punës mund të shkaktojë dëmtime personale.
- e) **Mos u zgjasni. Mbani një vendosje të mirë të këmbëve dhe një ekuilibër të mirë në çdo moment.** Kjo gjë bën të mundur një kontroll më të mirë të veglës së punës në situata të papritura.
- f) **Vishuni në mënyrën e duhur. Mos vishni veshje të gjera ose bizhuteri. Mbani flokët, veshjet dhe dorashkat larg nga pjesët lëvizëse.** Veshjet e gjera, bizhuteritë ose flokët e gjatë mund të kapen nga pjesët në lëvizje.
- g) **Nëse janë ofruar pajisje për lidhjen e pajisjeve të mbledhjes dhe nxjerrjes së pluhurave, sigurohuni që ato të jenë të lidhura dhe të përdoren si duhet.** Përdorimi i mbledhjes së pluhurave mund të zvogëlojë rreziqet në lidhje me pluhurat.

## 4) PËRDORIMI DHE KUJDESI PËR VEGLËN E PUNËS

- a) **Mos ushtroni forcë mbi veglën e punës. Përdorni veglën e punës të duhur për përdorimin tuaj.** Vegla e punës e duhur do të realizojë një punë më të mirë dhe më të sigurt dhe me shpejtësinë që ajo është e projektuar.
- b) **Mos përdorni veglën e punës nëse çelësi nuk e ndez apo e fik.** Çdo vegël pune që nuk mund të kontrollohet me anë të çelësit është e rrezikshme dhe duhet të riparohet.
- c) **Shkëputni spinën nga burimi i energjisë dhe/ose baterinë nga vegla e punës para se të bëni rregullime të tjera, të ndryshoni aksesorët ose të ruani veglat e punës.** Këto masa parandaluese të sigurisë ulin rrezikun e ndezjes aksidentale të veglës së punës.
- d) **Mbani veglat e punës larg fëmijëve dhe mos lejoni personat e pamësuar me veglën e punës ose këto udhëzime për përdorimin e pajisjes.** Veglat e punës janë të rrezikshme në duart e përdoruesve të patrajnuar.
- e) **Mirëmbani veglat e punës. Kontrolloni për mospërshtatje ose bllokim të pjesëve lëvizëse, thyerje të pjesëve dhe gjendje të tjera që mund të ndikojnë në funksionimin e veglës së punës. Nëse dëmtohet, riparohet veglën e punës para përdorimit.** Shumë aksidente shkaktohen nga veglat e punës jo të mirëmbajtura si duhet.
- f) **Mbajini pajisjet prerëse të pastra dhe të mprehta.** Pajisjet e prerjes të mirëmbajtura dhe me anë të mprehta kanë më pak mundësi për t'u bllokuar dhe janë më të lehta për t'u kontrolluar.
- g) **Përdorni veglat e punës, aksesorët dhe puntot, etj. në përputhje me këto udhëzime, duke marrë parasysh kushtet e punës dhe punën që do të kryhet.** Përdorimi i veglave për përdorime të ndryshme nga ato të përcaktuara mund të shkaktojë rreziqe.

## 5) SHËRBIMI

- a) **Shërbimi i veglës së punës duhet të kryhet nga një person i kualifikuar për riparimet duke përdorur vetëm pjesë ndërrimi identike.** Kjo gjë do të sigurojë ruajtjen e sigurisë së veglave të punës.

## UDHËZIMET E SIGURISË PËR FREZAT E SHKALLËZUARA

### TË PËRGJITHSHME

- Kjo pajisje nuk duhet të përdoret nga personat nën moshën 16 vjeç
- **Shkëputni gjithmonë spinën nga burimi i energjisë para kryerjes së rregullimeve ose ndryshimeve të aksesoreve**

### AKSESORËT

- SKIL mund të garantojë funksionimin pa probleme të veglës vetëm kur përdoren aksesoret origjinalë
- Përdorni vetëm aksesorë me një shpejtësi të lejuar që përshtatet të paktën me shpejtësinë më të lartë pa ngarkesë të pajisjes
- Mos përdorni punto të dëmtuara ose të deformuara të frezës
- Përdorni vetëm punto të mprehta për frezën
- Mbrojini aksesorët nga goditja, tronditja dhe grasoja
- Përdorni vetëm punto çeliku për shpejtësi të lartë (HSS) ose me majë karbidi (CT) për këtë pajisje

### PARA PËRDORIMIT

- Shmangni dëmtimet që mund të shkaktohen nga vidat, gozhdët dhe elementet e tjera në materialin e punës; hiqni ato para se të filloni punën
- Kontrolli gjithmonë që voltazhi i energjisë të jetë i njëjtë si voltazhi që tregohet në etiketën e veglës (veglat me klasifikimin 230 V ose 240 V mund të lidhen po ashtu me një burim 220 V)
- **Mos punoni me materiale që përmbajnë asbest** (asbesti konsiderohet kancerogjen)
- **Përdorni morsa ose mënyra të tjera praktike për të siguruar dhe mbështetur materialin e punës në një platformë të qëndrueshme** (mbajtja e materialit me duar ose të mbështetur në trup bën që materiali të mbetet i paqëndrueshëm ose mund të shkaktojë humbje të kontrollit)
- Mos e shtrëngoni veglën në një morsë
- Përdorni kordonë të pahapur dhe të sigurt për zgjatime, me një kapacitet 16 amper
- Niveli i zhurmës gjatë punës mund të kalojë 85 dB(A); mbani mbrojtëse për veshët
- Pluhurat nga materialet si boja me plumb, disa lloje drurësh, mineralesh dhe metalesh mund të jenë të dëmshme (kontakti ose thithja e pluhurave mund të shkaktojë reagime alergjike dhe/ose sëmundje respiratore për përdoruesin ose personat përreth); **mbani një maskë për pluhurat dhe punoni me një pajisje për heqjen e pluhurave kur mund të lidhet**
- Disa lloje pluhurash skanë klasifikuar si kancerogjene (si pluhuri i lisit dhe i ahut) veçanërisht në ndërthurje me lëndët shtesë për kondicionimin e drurit; **mbani një maskë për pluhurat dhe punoni me një pajisje për heqjen e pluhurave kur mund të lidhet**
- Respektoni kërkesat kombëtare në lidhje me pluhurat për materialet me të cilat dëshironi të punoni
- Sigurohuni që pajisja të jetë e fikur kur ta vendosni në prizë

### GHATË PËRDORIMIT

- **Mbajeni veglën e punës nga pjesët e izoluar të kapjes pasi prerësi mund të bjerë në kontakt me kordonin e tij** (prerja e një teli me elektricitet mund të

bëjë që pjesët metalike të ekspozuara të përcjellin elektricitetin dhe të shkaktojnë goditjen elektrike të përdoruesit)

- Mbajeni gjithmonë kordonin larg nga pjesët e lëvizshme të veglës; drejtojeni kordonin në anën e pasme, larg nga vegla
- Mos e përdorni kurrë veglën kur kordoni pse pllaka e bazës R ② (=mbrojtësja) është e dëmtuar; zëvendësojeni nga një person i kualifikuar
- Mbajini duart dhe gishtat larg nga puntot e frezës kur pajisja është e ndezur
- Mos e kaloni kurrë thellësinë maksimale të prerjes të puntos së frezës gjatë procesit të prerjes
- Në rast të një defekti elektrik ose mekanik, fikni menjëherë pajisjen dhe hiqni spinën
- Në rast se puntotja e frezës bllokohet, duke shkakuar forca dridhjeje mbi pajisje, fikeni menjëherë pajisjen
- Në rast të ndërprerjes së energjisë ose kur hiqet aksidentalisht spina, fikeni menjëherë pajisjen për të parandaluar rindezjen e pakontrolluar të saj
- Mos ushtroni shumë presion mbi pajisje sa të ndalojë plotësisht

### PAS PËRDORIMIT

- Pasi të mbaroni punën, lironi levën H ②, çojeni përsëri veglën në pozicionin e sipërm të nisjes dhe fikeni pajisjen

## PËRDORIMI

- Montimi/heqja e puntove të frezës ④
  - ! **fikni pajisjen dhe hiqni spinën**
  - ! **sigurohuni që boshti i puntos së frezës të jetë plotësisht i pastër**
  - ! **sigurohuni që madhësia e dados tub (6 mm, 8 mm) të përputhet me madhësinë e boshtit të puntos së frezës**
  - kthejeni veglën përmbys
  - bllokoni boshtin duke shtyrë bllokuesin e boshtit A (rrotulloni dadon tub B, nëse është e nevojshme) dhe mbajeni ndërsa
- PËR MONTIMIN:
  - lironi dadon tub B me çelës C
  - futni puntont 3/4 në dadon tub
  - shtrëngoni fort dadon tub me çelës C
- PËR HEQJEN:
  - lironi dadon tub B me çelës C
  - hiqni puntont
  - lironi bllokuesin e boshtit A
  - ! **për lirimien e puntos së frezës mund të duhet të lëvizni dadon tub me çelës ⑤**
  - ! **mos e shtrëngoni kurrë dadon tub nëse nuk ka punto në tub; mund të dëmtoni tubin**
- Ndërrimi i tubit
  - ! **fikni pajisjen dhe hiqni spinën**
  - ! **sigurohuni që boshti i tubit të jetë plotësisht i pastër**
  - lironi dadon tub B me 2 ose 3 rrotullime
  - lëvizni dadon tub B me çelës C
  - hiqni dadon tub B dhe tubin (bllokuesin e boshtit)
  - kthejeni veglën përmbys
  - futni një tub të ri në boshtin e tubit
  - montoni dadon tub B (bllokuesin e boshtit)
  - ! **mos e shtrëngoni kurrë dadon tub nëse nuk ka punto në tub; mund të dëmtoni tubin**

- Rregullimi i thellësisë së frezimit ⑥
  - ! **fikni pajisjen dhe hiqni spinën**
  - sigurohuni që shufra e vogël brenda treguesit të thellësisë D të dalë rreth 3 mm (përdor dorezën e rregullimit të imët E) ⑥a
  - rrotullo kupolën F në mënyrë që pozicioni i saj më i lartë të shkojë në vend pikërisht nën treguesin e thellësisë D (për zerim) ⑥b
  - lironi çelësin G në mënyrë që treguesi i thellësisë D të bjerë në kupolën e ndalimit të thellësisë F ⑥b
  - vendoseni veglën mbi materialin e punës
  - lironi levën e bllokimit H ⑥c
  - shtyjeni veglën poshtë deri sa puntoja e frezës të jetë në kontakt me materialin e punës ⑥d
  - shtrengoni levën e bllokimit H ⑥e
  - thellësia e frezimit tani është e vendosur në 0 mm (kini parasysh vlerën siç tregohet në shkallën e thellësisë)
  - ngrini treguesin e thellësisë D aq mm sa thellësia e dëshiruar e frezimit dhe shtrengoni çelësin G ⑥f
  - lironi levën e bllokimit H dhe drejtojeni pajisjen përsëri lart
  - përdorni çelësin e rregullimit të imët E për të përcaktuar thellësinë e frezimit me më shumë saktësi (0-10 mm)
  - me kupolën e ndalimit të thellësisë F thellësia e frezimit mund të rritet përkatësisht me 5 ose 10 mm
  - ! **rregulloni përsëri thellësinë e frezimit pasi të keni ndryshuar puntot e frezës**
- Kontrolli i shpejtësisë ⑦
  - Për rezultate optimale të frezimit në materiale të ndryshme
  - zgjidhni shpejtësinë e frezimit me rrotën J (edhe kur pajisja është në punë)
  - përdorni tabelën ⑧ si referencë për të përcaktuar shpejtësinë e duhur të frezimit
  - para se të filloni një punë, gjeni shpejtësinë optimale duke e provuar në materiale për provë
  - ! **pas periudhave të gjatë të punës me shpejtësi të ulët, lëreni pajisjen që të ftohet duke e përdorur për afro 3 minuta me shpejtësi të lartë pa ngarkesë**
- Thithja e pluhurave ⑨
  - lidhni fshesën me korrent në pjesën e zgjatimit K
  - ! **mos e lini kurrë tubin e fshesës me korrent që të ndërhyjë në veprimin e frezimit**
- Funksionimi i veglës ⑩
  - rregulloni thellësinë e frezimit
  - ! **mbajeni gjithmonë pajisjen fort me të dyja duart gjatë punës, mbajeni gjithmonë veglën në zonën(at) e dorezës me ngjyrë gri**
  - vendoseni veglën mbi materialin e punës
  - ndizeni pajisjen duke tërhequr çelësin e aktivizimit L
  - bllokoheni çelësin për një përdorim në vazhdim duke shtypur butonin M
  - ! **para se puntoja e frezës të arrijë te materiali i punës, vegla duhet të punojë me shpejtësinë e saj të plotë**
  - lironi levën e bllokimit H dhe shtyjeni ngadalë pajisjen poshtë deri sa treguesi i thellësisë D të arrijë te kupola e ndalimit të thellësisë F
  - shtrengoni levën e bllokimit H

- kryeni procedurën e frezimit me një shpejtësi uniforme të marrjes së materialit
- përdorni veglën me pllakën e bazës rrafsh mbi material
- si rregull i përgjithshëm, duhet ta tërhiqni pajisjen, jo të shtyni
- zhblokoni çelësin duke tërhequr përsëri çelësin L dhe më pas lëshojeni atë
- pas përfundimit të punës, lironi levën H dhe drejtojeni pajisjen përsëri në pozicionin e sipërm të nisjes
- Rregullimi i pozicionit të dorezës ⑪
  - zhblokoni të dyja dorezat duke rrëshqitur çelësat N në pozicionin e jashtëm dhe mbajini ndërsa i rrotulloni dorezat në pozicionin e dëshiruar
  - lëshoni të dy çelësat N deri sa të zënë vend (4 pozicione të mundshme)
- Drejtimi i përshtatshëm ⑫
  - mos harroni se puntot e frezës rrotullohen në drejtim orar
  - drejtojeni pajisjen në mënyrë që puntoja të rrotullohet drejt materialit, jo larg tij
- Montimi i pllakës së adaptorit P (për kopjimin me një model) ⑬
- Montimi i treguesit paralel Q ⑭
  - futni shufrat e treguesit paralel V nëpërmjet vrimave në pllakën e bazës R
  - rrëshqisni treguesin paralel në gjerësinë e dëshiruar dhe shtrengojeni me 2 çelësat W
- Përdorimi i treguesit paralel si një tregues rrethor ⑮
  - ! **ktheni në fillim treguesin paralel në drejtimin e kundërt**
  - shtrengoni kunjin X me dadon e krahut Y si në ilustrim
  - futni shufrat V në pllakën e bazës R
  - shtyjeni kunjin X në qendrën e shënuar të harkut rrethor
  - shtrengoni treguesin paralel me 2 çelësat W
  - drejtojeni pajisjen me një marrje të qëndrueshme të materialit të punës
- Përdorimi i treguesit paralel me amortizatorin e harkut Z ⑯
  - montoni amortizatorin e harkut Z (me rulin e treguesit të montuar) si në ilustrim
  - drejtojeni pajisjen përgjatë anës së materialit duke ushtruar pak trysni anash

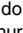
## KËSHILLË PËR PËRDORIMIN

- Për prerje paralele me anën e materialit, përdorni treguesin paralel
- Për realizimin e prerjeve paralele në një material larg anës së tij ⑯
  - shtrengoni një copë druri të drejtë në material me anë të 2 kllapave
  - drejtojeni pajisjen me pllakën e bazës përgjatë anës së drurit që tani funksionon si një tregues paralel
- Kur përdorni punto me sfera ose me shina, sfera ose shina duhet të rrëshqasë përgjatë anës së materialit që duhet të jetë plotësisht i lëmuar ⑰
- Për thellësi më të mëdha të frezimit, rekomandohet që të kryeni disa prerje të përsëritura me nivele më të ulta të heqjes së materialit

## MIRËMBAJTJA / SHËRBIMI

- Kjo vegël nuk është e projektuar për përdorim profesional
- Mbajeni gjithmonë veglën dhe kordonin të pastër (veçanërisht të çarat e ajrosjes S ②)
- Lubrifikoni herë pas here shufrat rrëshqitëse T ②
- Nëse pajisja ka defekt pavarësisht kujdesit në prodhim dhe procedurat e provave, riparimi duhet të kryhet nga një qendër e shërbimit pas shitjes për veglat e punës të SKIL
  - dërgoni veglën **të çmontuar** së bashku me vërtetimin e blerjes të shitësi ose të qendra më e afërt e shërbimit e SKIL (adresat si dhe diagrami i shërbimit i veglës janë të paraqitura në [www.skil.com](http://www.skil.com))

## MJEDISI

- **Mos i hidhni veglat elektrike, aksesoret dhe paketimin së bashku me materialet e mbeturinave familjare** (vetëm për vendet e BE-së)
  - në respektim të Direktivës evropiane 2012/19/EC për pajisjet elektrike dhe elektronike si mbetje dhe zbatimin e saj në përputhje me ligjet kombëtare, pajisjet elektrike që kanë arritur në fund të jetëgjatësisë së tyre duhet të mblidhen të ndara dhe të kthehen në një objekt riciklimi në përputhje me mjedisin.
  - simboli  do t'ju kujtojë për këtë gjë kur të jetë nevoja për t'i hedhur

## DEKLARATA E KONFORMITETIT CE

- Ne deklarojmë me përgjegjësinë tonë të vetme se ky produkt i përshkruar në "Të dhëat teknike" është në përputhje me standardet ose dokumentet e standardizimit si më poshtë: EN 60745, EN 61000, EN 55014 në përputhje me dispozitat e direktivave 2004/108/EC, 2006/42/EC, 2011/65/EU, 2009/125/EC (EU normë 1194/2012)
- **Dosja teknike në:** SKIL Europe BV (PT-SEU/ENG1), 4825 BD Breda, Holandë

Marijn van der Hoofden  
Operations & Engineering

Olaf Dijkgraaf  
Approval Manager



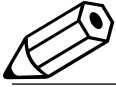
SKIL Europe BV, 4825 BD Breda, NL

05.09.2014

## ZHURMA/VIBRIMI

- E matur në përputhje me EN 60745, niveli i trysnisë së tingullit i kësaj pajisje është 84 dB(A) dhe niveli i fuqisë së tingullit 95 dB(A) (shmangia standarde: 3 dB) dhe vibrimi 4,4 m/s<sup>2</sup> (metoda e krahut-dorës; pasiguria K = 1,5 m/s<sup>2</sup>)
- Niveli i emetimit të vibrimit është matur në përputhje me një provë të standardizuar të dhënë në EN 60745; ajo mund të përdoret për të krahasuar një vegël me një tjetër dhe si një vlerësim paraprak i ekspozimit ndaj vibrimit kur përdorni pajisjen për proceset e përmendura

- përdorimi i pajisjes për procese të ndryshme, ose me aksesoret të ndryshëm dhe të mirëmbajtur keq, mund të **rritë** ndjeshëm nivelin e ekspozimit
- kohët kur pajisja është e fikur dhe kur është e ndezur por jo në punë, mund të **zvogëlojnë** ndjeshëm nivelin e ekspozimit
- ! **mbroni veten nga efektet e vibrimit duke mirëmbajtur pajisjen dhe aksesoret e saj, duke i mbajtur duart e ngrohta dhe duke organizuar mënyrën tuaj të punës**



#### صد ارتعاشات

- اندازه گیری ها بر اساس استاندارد EN ۱۰۷۴۵ انجام و مشخص شد که میزان فشار صوتی این ابزار ۸۴ دسی بل و میزان توان صوتی آن ۹۵ دسی بل (با انحراف استاندارد ۳: دسی بل). و میزان ارتعاشات ۴٫۴ متر/مجدور ثانیه می باشد (شیوه دست-بازو. عدم قطعیت ۱٫۵ = K متر/مجدور ثانیه)
- میزان انتشار ارتعاشات بر اساس تست استاندارد شده ای که در EN ۱۰۷۴۵ معرفی شده است اندازه گیری گردید: از این ارقام می توان برای مقایسه یک ابزار با دیگری و بعنوان ارزیابی اولیه در معرض قرارگیری ارتعاشات هنگام کار با ابزار در کاربری های فوق استفاده کرد
  - استفاده کردن از ابزار برای کاربردهای متفاوت. یا با لوازم و ملتحقات متفاوت تفرقه یا لوازم و ملتحقاتی که بد نگهداری نشده اند. می تواند میزان در معرض قرارگیری را بطور قابل ملاحظه ای افزایش دهد
  - مواقعی که ابزار خاموش است یا روشن است ولی کاری با آن انجام نمی شود. میزان در معرض قرارگیری بطور قابل توجهی کاهش می یابد
- ! با نگهداری مناسب از ابزار و لوازم و ملتحقات آن. گرم نگهداشتن دست های خود. و سازمان دهی طرح های کاری می توانید خود را در برابر اثرات ارتعاش محافظت کنید



- گیره تنظیم F را بچرخانید تا در بالاترین وضعیت خود درست زیر عمق سنخ D کلیک کند (برای صفر کردن) ①b
- دکمه G را شل کنید تا عمق سنخ D روی گیره تنظیم عمق F ① قرار گیرد
- ابزار را روی قطعه کاری قرار دهید
- اهرم قفل H ① را شل کنید
- ابزار را به پایین فشار دهید تا تیغه فرز با قطعه کار تماس پیدا کند ①d
- اهرم قفل H ① را سفت کنید
- عمق فرزکاری اینک روی ۰ میلی متر تنظیم شده است (به مقداری که روی مقیاس عمق مشخص است توجه کنید)
- عمق سنخ D را هر چند میلی متر که مایل بودید بلند کرده و دکمه G ① را سفت کنید
- اهرم قفل H را شل کرده و ابزار را دوباره بالا ببرید
- از دکمه تنظیم دقیق E برای تنظیم دقیق تر (۰.۰۰۰ میلی متر) عمق کار استفاده کنید
- عمق فرزکاری را می توان با گیره تنظیم عمق F به اندازه ۵ یا ۱۰ میلی متر افزایش داد
- ! بعد از عوض کردن تیغه های فرز عمق فرزکاری را دوباره تنظیم کنید
- کنترل دور ⑥
- برای بدست آوردن بهترین نتیجه فرزکاری روی مواد مختلف
- دور فرز را با کلید الکترونیک (دیمر) L انتخاب کنید (حتی موقعی که ابزار در حال کار است)
- برای انتخاب دور مناسب فرزکاری از جدول A بعنوان مرجع استفاده کنید
- قبل از شروع کار روی یک قطعه ببردنخور آزمایش کنید تا دور مناسب را تعیین کنید
- ! بعد از دور های طولانی کار با دور پایین. ابزار را حدوداً ۳ دقیقه بدون بار در دور بالا بکار پیاده‌آزاید تا خنک شود
- مکش گرد و غبار ④
- جاروبرقی را به رابط K وصل کنید
- هرگز نگذارید شلنگ جاروبرقی با کار فرز درگیر شود
- کار کردن با ابزار ⑦
- تنظیم عمق فرزکاری
- ! همیشه ابزار را خیلی محکم با هر دو دست بگیرید
- دور بالا بکار بیاورید (برای کارهای) دست خاکستری رنگ بگیرید
- ابزار را روی قطعه کاری قرار دهید
- با کشیدن استارت L ابزار را روشن کنید
- با فشار دادن کلید M استارت قفل شده و ابزار بطور پیوسته کار می کند
- ! ابزار باید پیش از اینکه تیغه فرز به قطعه کار برسد، به دور کامل خود رسیده باشد
- اهرم قفل H را شل کرده و ابزار را خیلی آرام به پایین فشار دهید تا عمق سنخ D به عمق تنظیم عمق F برسد
- اهرم قفل H را سفت کنید
- با فشار یکنواخت فرزکاری کنید
- ابزار طوری استفاده کنید که صفحه پایه آن روی قطعه کار قرار گیرد
- بعنوان یک قانون کلی می توان گفت که این ابزار را باید به عقب کشید. نباید آنرا به جلو فشار داد
- برای رها کردن کلید استارت L را دوباره کشیده و سپس رها کنید
- بعد از پایان کار اهرم H را شل کنید. ابزار را به نقطه شروع بالا برگردانده و آنرا خاموش کنید
- تنظیم وضعیت دسته ⑧
- برای باز کردن قفل دسته ها، دکمه Ha را به وضعیت بیرونی کشیده و آنها را نگاهدارید. حالا می توانید دسته ها را به وضعیت دخواه ببرید
- هر دو دکمه N را رها کنید تا در جای خود قفل شوند (E) وضعیت دارند)
- هدایت صحیح ⑨
- توجه داشته باشید که تیغه فرز در جهت حرکت عقربه های ساعت می چرخد
- ابزار را طوری هدایت کنید که تیغه فرز به سمت قطعه کار بچرخد، نه در جهت مخالف
- قرار دادن صفحه تبدیل P (برای کپی کاری با الگو) ⑭
- قرار دادن حصار برش Q ⑬
- میله های حصار برش V را از داخل سوراخ های صفحه پایه W رد کنید
- حصار برش را روی عمق دخواه تنظیم کرده و با F دکمه آنرا سفت کنید

- استفاده از حصار برش بعنوان یک هادی دایروی ⑩
- ! ابتدا حصار برش را برعکس کنید
- بین X را مطابق شکل با مهره گوشه دار Y سفت کنید
- میله ها V را در صفحه پایه R قرار دهید
- بین X را داخل مرکز علامت خورده کمان دایره قرار دهید
- با F دکمه W حصار برش را سفت کنید
- ابزار را با فشار یکنواخت روی قطعه کار هدایت کنید
- استفاده از حصار برش با حائل گونیا Z ⑪
- حائل گونیا Z را مطابق شکل سوار کنید (همراه با غلتک هادی)
- ابزار را با کمی فشار جانبی روی لبه قطعه کار هدایت کنید

## توصیه های کاربردی

- برای برشهای موازی با کنار قطعه کار از حصار برش استفاده کنید
- برای برش های موازی در قطعه کار دور از لبه ①
- با F گیره یک تکه چوب صاف را روی روی قطعه کار محکم کنید
- ابزار را با صفحه پایه در طول لبه چوب که حالا بجای حصار برش شماست هدایت کنید
- اگر تیغه فرز مورد استفاده دارای پیلوت یا بلبرینگ باشد، پیلوت یا بلبرینگ باید در طول لبه قطعه کار که باید کاملاً صاف باشد حرکت کنند ⑫
- برای رسیدن به عمق فرزکاری بیشتر توصیه می شود چند برش پشت سر هم با نرخ برداشت کمتر انجام دهید

## نگهداری / سرویس- خدمات

- این ابزار برای مصارف حرفه ای مناسب نیست
- همیشه ابزار و سیم برق را تمیز نگه‌دارید (بخصوص شماره‌های توهی S ⑬)
- میله های کنشویی T ⑭ را هر چند وقت یکبار روانکاری کنید
- اگر ابزار علیرغم تمام دقت و مراقبتی که در فرایندهای تولید و تست بکار برده شده از کار افتاد، تعمیرات باید فقط در مراکز خدمات پس از فروش ابزارهای برقی SKIL انجام شود
- ابزار را بصورت باز نشده همراه با رسید خرید به فروشنده یا نزدیک ترین مرکز خدمات رسانی SKIL بفرستید (آدرسها به همراه نموده‌انقشده های سرویس ابزار در [www.skil.com](http://www.skil.com) موجود است)

## محیط زیست

- ابزارهای برقی، لوازم و ملتحقات و بسته بندی آنها را نباید همراه با زباله های عادی خانگی دور انداخت (فقط مخصوص کشورهای عضو اتحادیه اروپا)
- با توجه به مصوبه اروپایی ۲۰۱۲/۱۹/EC در اروپا دریاها لوازم برقی و الکترونیکی مستعمل و اجرای این مصوبه مطابق با قوانین کشوری، ابزارهای برقی که به پایان عمر مفید خود رسیده اند باید جداگانه جمع آوری شده و به یک مرکز بازیافت مناسب و سازگار با محیط زیست انتقال یابند
- نامعلامت ⑮) یادآور این مسئله در هنگام دور انداختن است

## اعلامیه مبنی بر رعایت استاندارد CE

- ما بر اساس مسئولیت انحصاری خود اعلام می نمایم که محصول شرح داده شده در قسمت «اطلاعات فنی» با استانداردها یا مستندات استاندارد شده زیر سازگاری و تعلق دارد EN ۶۰۷۰۷-۱ : EN ۱۰۰۰۰-۱۰ : EN ۵۵۰۱۴ : مطابق با مفاد مصوبات A/EC ۲۰۰۰/۱۱/۱۲/EC، A/EC ۲۰۰۰/۱۱/۱۲/EC، A/EC ۲۰۰۰/۱۲/۲۰۰۹ مصوبه (EU) ۱۱۹۴/۲۰۱۲
- پرونده فنی در: SKIL Europe BV (PT-SEU/ENG)۱، ۴۸۲۵ BD Breda، NL

Marijn van der Hoofden  
Operations & Engineering



Olaf Dijkgraaf  
Approval Manager



SKIL Europe BV, 4825 BD Breda, NL

05.09.2014

- ابزار الکتریکی را در صورت عدم استفاده، از دسترس کودکان دور نگهدارید، اجازه ندهید که افراد نا وارد و یا شخصایی که این دفتر چه راهنما را خوانده اند، با این دستگاه کار کنند. قرار گرفتن ابزار الکتریکی در دست افراد ناوارد و بی تجربه خطرناک است.
- از ابزار الکتریکی خوب مراقبت کنید. مواظب باشید که قسمت های متحرک دستگاه خوب کار کرده و گیر نکنند. همچنین دقت کنید که قطعات ابزار الکتریکی شکسته و یا آسیب دیده نباشند. قطعات آسیب دیده را قبل از شروع به کار تعمیر کنید. علت بسیاری از سوانح کاری، عدم مراقبت کامل از ابزارهای الکتریکی می باشد.
- ابزار برش را نیز و نیز نگهدارید. ابزار برشی که خوب مراقبت شده و از لبه های تیز برخوردارند، کمتر در قطعه کار گیر کرده و بهتر قابل هدایت می باشند.
- ابزارهای الکتریکی، متعلقات، ابزاری که روی دستگاه نصب می شوند و غیره را مطابق دستورات این جزوه راهنما طوری به کار بگیرید که با مدل این دستگاه تناسب داشته باشند. همچنین به شرایط کاری و نوع کار توجه کنید. کاربرد ابزار برقی برای موارد کاری که برای آن در نظر گرفته نشده است، میتواند شرایط خطرناکی را منجر شود.
- سرویس
- برای تعمیر ابزار الکتریکی فقط به متخصصین حرفه ای رجوع کرده و از وسایل یکدیگر اصل استفاده کنید. این باعث خواهد شد که ایمنی دستگاه شما تضمین گردد.

#### هشدارهای ایمنی برای فرزهای جاری

- بعد از استفاده
- بعد از پایان کار، اهرم H (۲) را شل کنید. ابزار را به نقطه شروع بالا برگردانده و آنرا خاموش کنید

#### استفاده

- قرار دادن/برداشتن تیغه فرز (۴)
- ! ابزار را خاموش کرده و دوشاخه را بکشید
- ! مطمئن شوید که تیغه فرز کاملاً تیز باشد
- ! دقت کنید که سایز کولت (۱) میلی متر، ۸ میلی متر) با اندازه شفت تیغه فرز هماهنگی داشته باشد
- ابزار را وارونه کنید
- برای انجام این کار باید با فشار دادن قفل شفت A (در صورت لزوم مهره کولت B را بچرخانید) شفت را قفل کرده و نگهدارید
- برای قرار دادن:
  - مهره کولت B را با آچار C شل کنید
  - تیغه فرز ۴/۳ در کولت قرار دهید
  - مهره کولت را با آچار C محکم کنید
- برای برداشتن:
  - مهره کولت B را با آچار C شل کنید
  - تیغه فرز را بردارید
  - قفل شفت A را آزاد کنید
- ! شاید لازم باشد برای شل کردن تیغه فرز با آچار (۵) به مهره کولت ضربه بزنید
- ! هرگز موقعی که تیغه فرز روی کولت نیست، مهره کولت را سفت نکنید: کولت ممکن است آسیب ببیند
- عوض کردن کولت
  - ! ابزار را خاموش کرده و دوشاخه را بکشید
  - ! مطمئن شوید که شفت کولت کاملاً تیز باشد
  - ! هرگز کولت B را ۲ یا ۳ دور شل کنید
  - ! برون مهره کولت B با آچار C ضربه بزنید
  - ! مهره کولت B و کولت (قفل شفت) را بردارید
  - ! ابزار را وارونه کنید
  - ! کولت جدید را در شفت کولت قرار دهید
  - ! مهره کولت B را قرار دهید (قفل شفت)
  - ! هرگز موقعی که تیغه فرز روی کولت نیست، مهره کولت را سفت نکنید: کولت ممکن است آسیب ببیند
- تنظیم عمق فرزکاری (۱)
  - ! ابزار را خاموش کرده و دوشاخه را بکشید
  - ! مطمئن شوید که میله کوچک درون عمق سنخ D حدود ۳ میلی متر بیرون آمده باشد (از دکمه تنظیم دقیق E استفاده کنید) (۱) a

- ابزار الکتریکی را در صورت عدم استفاده، از دسترس کودکان دور نگهدارید، اجازه ندهید که افراد نا وارد و یا شخصایی که این دفتر چه راهنما را خوانده اند، با این دستگاه کار کنند. قرار گرفتن ابزار الکتریکی در دست افراد ناوارد و بی تجربه خطرناک است.
- از ابزار الکتریکی خوب مراقبت کنید. مواظب باشید که قسمت های متحرک دستگاه خوب کار کرده و گیر نکنند. همچنین دقت کنید که قطعات ابزار الکتریکی شکسته و یا آسیب دیده نباشند. قطعات آسیب دیده را قبل از شروع به کار تعمیر کنید. علت بسیاری از سوانح کاری، عدم مراقبت کامل از ابزارهای الکتریکی می باشد.
- ابزار برش را نیز و نیز نگهدارید. ابزار برشی که خوب مراقبت شده و از لبه های تیز برخوردارند، کمتر در قطعه کار گیر کرده و بهتر قابل هدایت می باشند.
- ابزارهای الکتریکی، متعلقات، ابزاری که روی دستگاه نصب می شوند و غیره را مطابق دستورات این جزوه راهنما طوری به کار بگیرید که با مدل این دستگاه تناسب داشته باشند. همچنین به شرایط کاری و نوع کار توجه کنید. کاربرد ابزار برقی برای موارد کاری که برای آن در نظر گرفته نشده است، میتواند شرایط خطرناکی را منجر شود.
- سرویس
- برای تعمیر ابزار الکتریکی فقط به متخصصین حرفه ای رجوع کرده و از وسایل یکدیگر اصل استفاده کنید. این باعث خواهد شد که ایمنی دستگاه شما تضمین گردد.

#### هشدارهای ایمنی برای فرزهای جاری

- بعد از استفاده
- بعد از پایان کار، اهرم H (۲) را شل کنید. ابزار را به نقطه شروع بالا برگردانده و آنرا خاموش کنید

#### استفاده

- قرار دادن/برداشتن تیغه فرز (۴)
- ! ابزار را خاموش کرده و دوشاخه را بکشید
- ! مطمئن شوید که تیغه فرز کاملاً تیز باشد
- ! دقت کنید که سایز کولت (۱) میلی متر، ۸ میلی متر) با اندازه شفت تیغه فرز هماهنگی داشته باشد
- ابزار را وارونه کنید
- برای انجام این کار باید با فشار دادن قفل شفت A (در صورت لزوم مهره کولت B را بچرخانید) شفت را قفل کرده و نگهدارید
- برای قرار دادن:
  - مهره کولت B را با آچار C شل کنید
  - تیغه فرز ۴/۳ در کولت قرار دهید
  - مهره کولت را با آچار C محکم کنید
- برای برداشتن:
  - مهره کولت B را با آچار C شل کنید
  - تیغه فرز را بردارید
  - قفل شفت A را آزاد کنید
- ! شاید لازم باشد برای شل کردن تیغه فرز با آچار (۵) به مهره کولت ضربه بزنید
- ! هرگز موقعی که تیغه فرز روی کولت نیست، مهره کولت را سفت نکنید: کولت ممکن است آسیب ببیند
- عوض کردن کولت
  - ! ابزار را خاموش کرده و دوشاخه را بکشید
  - ! مطمئن شوید که شفت کولت کاملاً تیز باشد
  - ! هرگز کولت B را ۲ یا ۳ دور شل کنید
  - ! برون مهره کولت B با آچار C ضربه بزنید
  - ! مهره کولت B و کولت (قفل شفت) را بردارید
  - ! ابزار را وارونه کنید
  - ! کولت جدید را در شفت کولت قرار دهید
  - ! مهره کولت B را قرار دهید (قفل شفت)
  - ! هرگز موقعی که تیغه فرز روی کولت نیست، مهره کولت را سفت نکنید: کولت ممکن است آسیب ببیند
- تنظیم عمق فرزکاری (۱)
  - ! ابزار را خاموش کرده و دوشاخه را بکشید
  - ! مطمئن شوید که میله کوچک درون عمق سنخ D حدود ۳ میلی متر بیرون آمده باشد (از دکمه تنظیم دقیق E استفاده کنید) (۱) a

## مقدمه

- این ابزار برای فرزکاری شیارها، لبه ها، پروفیل ها و سوراخهای طویل در چوب، پلاستیک و مصالح ساختمانی سبک و نیز کپی کاری با فرز طراحی شده است
- این ابزار برای مصارف حرفه ای مناسب نیست
- چراغ این ابزار برقی برای روشن ساختن ناحیه مستقیم کاری ابزار برقی می باشد و برای روشن کردن اتاق ها در خانه مناسب نیست
- لطفاً این دفترچه راهنما را مطالعه کرده و نگهدارید (۲)

## اطلاعات فنی (۱)

## اجزای ابزار (۲)

A	قفل شفت
B	مهده طوقه ای
C	آچار
D	عمق سنخ
E	دکمه تنظیم دقیق
F	گیره تنظیم عمق
G	دکمه تنظیم (عمق سنخ)
H	اهرم قفل کننده
J	گردنده انتخاب سرعت
K	رابط اتصال جاروبرقی
L	کلید روشن/خاموش
M	ضامن قفل کننده
N	دکمه تنظیم (دسته)
O	بیده‌های توری
P	صفحه تبدیل (آدپتور)
Q	حفاظ برش
R	صفحه پایه
S	شیارهای تهویه
T	میله های کشویی
V	میله های حصار برش
W	کلید گردان تنظیم حفاظ برش
X	پین حصار برش
Y	مهده گوشه دار حصار برش
Z	حائل گویا

## ایمنی

## راهنمای ایمنی عمومی

**⚠ هشدار!** همه دستورات ایمنی و راهنمایی ها را بخوانید. اشتباهات ناشی از عدم رعایت این دستورات ایمنی ممکن است باعث برق گرفتگی، سوختگی و یا سایر جراحات های شدید شود. همه هشدارهای ایمنی و راهنمایی ها را برای آینده خوب نگهداری کنید. هرچا در این راهنما از «ابزار الکتریکی» صحبت میشود. منظور ابزارهای الکتریکی (باسیم برق) و یا ابزارهای الکتریکی باتری دار (بدون سیم برق) می باشد.

## ایمنی محل کار

- محل کار خود را تمیز، مرتب و مجهز به نور کافی نگهدارید. محیط کار نامرتب و کم نور میتواند باعث سوانح کاری شود.
- با ابزار الکتریکی در محیط هایی که در آن خطر انفجار وجود داشته و حاوی مایعات، گازها و غبارهای محترقه باشد، کار نکنید. ابزارهای الکتریکی جرقه هایی ایجاد می کنند که می توانند باعث آتش گرفتن گرد و بخار های موجود در هوا شوند.
- هنگام کار با ابزار الکتریکی، کودکان و سایر افراد را از دستگاه دور نگهدارید. در صورتیکه حواس شما پرت شود، ممکن است کنترل دستگاه از دست شما خارج شود.

## ایمنی الکتریکی

- دوشاخه ابزار الکتریکی باید با پریز برق تناسب داشته باشد. هیچگونه تغییری در دوشاخه ندهید. میبل دوشاخه نباید همراه با ابزار الکتریکی دارای اتصال به زمین (ارت شده) استفاده شود. میبل دوشاخه نباید همراه با ابزار الکتریکی دارای اتصال به زمین (ارت شده) استفاده شود.
- از تماس بدنی با قطعات دارای سیم اتصال به زمین (ارت شده) مانند لوله، شوفاز، اجاق برقی و یخچال خود داری کنید. در صورتیکه بدن شما با سیم دارای اتصال به زمین (ارت شده) تماس پیدا کند، خطر برق گرفتگی بیشتر خواهد شد.
- دستگاه را از باران و رطوبت دور نگاهدارید. نفوذ آب به ابزار الکتریکی، خطر شوک الکتریکی را افزایش می دهد.
- از سیم به درستی استفاده کنید. از سیم دستگاه برای کارهایی چون حمل ابزار الکتریکی، آویزان کردن آن و یا خارج کردن دوشاخه از برق استفاده نکنید. دستگاه را در مقابل حرارت، روغن، لبه های تیز و بخش های متحرک دستگاه دور نگاهدارید. کابل های آسیب دیده و یا گره خورده خطر شوک الکتریکی را افزایش می دهند.
- در صورتیکه با ابزار الکتریکی در محیط باز کار می کنید، تنها از کابل را بطی استفاده کنید که برای محیط باز نیز مناسب باشد. کابل های رابط مناسب برای محیط باز، خطر برق گرفتگی را کم می کنند.
- در صورت لزوم کار با ابزار الکتریکی در محیط و اماکن مرطوب، در اینصورت باید از یک کلید حفاظتی جریان خطا و نشستی زمین (کلید قطع کننده اتصال با زمین) استفاده کنید. استفاده از کلید حفاظتی جریان خطا و نشستی زمین خطر برق گرفتگی را کمتر می کند.
- رعایت ایمنی اشخاص
  - حواس خود را خوب جمع کنید، به کار خود دقت کنید و با فکر و هوش کامل با ابزار الکتریکی کار کنید. در صورت خستگی و یا در صورتیکه مواد مخدر، الکل و دارو استفاده کرده اید، با ابزار الکتریکی کار نکنید. یک لحظه بی توجهی هنگام کار با ابزار الکتریکی، میتواند جراحات های شدیدی به همراه داشته باشد.
  - همواره از تجهیزات ایمنی شخصی استفاده کنید. همواره از عینک ایمنی استفاده کنید. استفاده از تجهیزات ایمنی مانند ماسک ایمنی، کفش های ایمنی ضد لغزش، کلاه ایمنی و گوشی ایمنی مناسب با نوع کار با ابزار الکتریکی، خطر مروج شدن را تقلیل می دهد.
  - مواظب باشید که ابزار الکتریکی بطور ناخواسته بکار نیفتد. قبل از وارد کردن دوشاخه دستگاه در پریز برق، اتصال آن به باطری، برداشتن آن و یا حمل دستگاه، باید دقت کنید که ابزار الکتریکی خاموش باشد. در صورتیکه هنگام حمل دستگاه انگشت شما روی دکمه قطع و وصل باشد و یا دستگاه را در حالت روشن به برق بزنید، ممکن است سوانح کاری پیش آید.
  - قبل از روشن کردن ابزار الکتریکی، باید همه ابزارهای تنظیم کننده و آچارها را از روی دستگاه بردارید. ابزار آچارهایی که روی بخش های چرخنده دستگاه قرار دارند، می توانند باعث ایجاد جراحات شوند.
- بیش از حد به آنها نزدیک نشوید. برای کار جای مطمئن برای خود انتخاب کرده و تعداد خود را همواره حفظ کنید. به این ترتیب می توانید ابزار الکتریکی را در وضعیت های غیر منتظره بهتر تحت کنترل داشته باشید.
- لباس مناسب بپوشید. از پوشیدن لباس های فراخ و حمل زینت آلات خود داری کنید. موها، لباس و دستکش ها را از بخش های درحال چرخش دستگاه دور نگاهدارید. لباس های فراخ، میو بلند و زینت آلات ممکن است در قسمت های درحال چرخش دستگاه گیر کنند.
- در صورتیکه می توانید وسایل مکش گرد و غبار و یا وسیله جذب زائده را به دستگاه نصب کنید، باید مطمئن شوید که این وسایل نصب و درست استفاده می شوند. استفاده از وسایل مکش گرد و غبار مصونیت شما را در برابر گرد و غبار زیاد تر می کند.
- استفاده صحیح از ابزار الکتریکی و مراقبت از آن
  - از وارد کردن فشار زیاد روی دستگاه خود داری کنید. برای هر کاری، از ابزار الکتریکی مناسب با آن استفاده کنید. بکار گرفتن ابزار الکتریکی مناسب باعث می شود که بتوانید از توان دستگاه بهتر و با اطمینان بیشتر استفاده کنید.
  - در صورت ایراد در کلید قطع و وصل ابزار برقی، از دستگاه استفاده نکنید. ابزار الکتریکی که نمی توان آنها را قطع و وصل کرد، خطرناک بوده و باید تعمیر شوند.
  - قبل از تنظیم ابزار الکتریکی، تعویض متعلقات و یا کنار گذاشتن آن، دوشاخه از برق کشیده و یا باطری آنرا خارج کنید. رعایت این اقدامات پیشگیری ایمنی از راه افتادن ناخواسته ابزار الکتریکی جلوگیری می کند.

- باستخدام المقيض الدور لإيقاف العمق F. يمكن زيادة عمق التثبيت بمقدار 5 أو 10 م على التوالي.
- ! **قم بإعادة ضبط عمق التثبيت بعد تغيير لقم التثبيت:**
- التحكم في الأضواء (V) للحصول على أفضل نتائج التثبيت على المواد المختلفة:
- قم بتحديد سرعة التثبيت باستخدام العجلة L (أيضاً أثناء تشغيل الأداة):
- استخدم الجدول (A) كمرجع لتحديد سرعة التثبيت الصحيحة:
- قبل البدء في إحدى المهام، تعرف على السرعة القصوى بإجراء اختبار على إحدى المواد الإضافية:
- ! **بعد العمل لفترات طويلة على سرعة منخفضة، اترك الأداة لتبرد من خلال تدويرها لمدة 3 دقائق تقريباً على سرعة عالية بدون حمل:**

#### شفاط الغبار (4)

- وصل المكنتسة الكهربائية بموضع التوصيل K
- ! **لا تدع خرطوم المكنتسة الكهربائية يتداخل مع عملية التثبيت مطلقاً:**
- تشغيل الأداة (V)
- قم بضغط عصق التثبيت:
- ! **امسك الأداة دائماً بإحكام بكلتا يديك:**
- ! **أثناء العمل، امسك الأداة دائماً من منطقة (مناطق) المقيض رمادية اللون:**
- ضع الأداة على قطعة عمل:
- قم بتشغيل الأداة عن طريق ضغط الزناد L.
- قم بفعل المفتاح للاستخدام المتواصل من خلال الضغط على الزر M.
- ! **قبل أن تصل لقم التثبيت لقطعة العمل، يجب أن تدور الأداة بسرعة كاملة:**
- قم بتحرير ذراع القفل H ودفع الأداة لأسفل ببطء حتى يصل مقياس العمق D إلى المقيض الدور لإيقاف العمق F
- اربط ذراع القفل H
- قم بتثبيت إجراء التثبيت باستخدام معدل تغذية منتظم:
- استخدم الأداة أثناء وضع اللوحة الأساسية الخاصة بها بشكل مستو على قطعة العمل:
- وكقاعدة عامة، يجب على الفرد سحب الأداة وليس دفعها:
- افتح قفل المفتاح بالضغط مرة أخرى على الزناد. لقم قم بتحريره:
- بعد الانتهاء من العمل، قم بتحرير الذراع H ثم قم بتوجيه الأداة مرة أخرى إلى وضع البدء العلوي:

#### ضبط موضع المقيض (11)

- قم بفتح قفل كلا المقيضين عن طريق خريك المفايض N إلى الموضع الخارجي
- ثم انقلهما في هذا الموضع مع تدوير المفايض إلى الوضع المطلوب:
- قم بتحرير كلا المقيضين N حتى يتفلا على نحو مطبق (لقم 4 مم مواضع ممكنة):
- التوجيه المناسب (12)
- كن على دراية بأن لقم التثبيت تدور في اتجاه عقارب الساعة:
- قم بتوجيه الأداة بحيث تدور اللقم في اتجاه قطعة العمل وليس بعيداً عنها:
- تركيب لوح المفايض P (للتكرار باستخدام قالب) (13)
- تركيب حاجز القطن الطولي Q (14)
- قم بإدخال قضبان حاجز القطع الطولي V عبر الفتحات الموجودة في اللوحة الأساسية R
- قم بتحريك حاجز القطع الطولي إلى العرض المطلوب ثم تثبيته باستخدام المقيضين W

#### استخدام حاجز القطع الطولي كموجه دائري (15)

- ! **قم بعكس حاجز القطع الطولي أولاً:**
- قم بتثبيت المسما X باستخدام الصامولة المجنحة Y كما هو موضح:
- قم بإدخال القضبان V في اللوحة الأساسية R
- قم بإدخال المسمار X في المركز المميز للقرص المستدير:
- قم بتثبيت حاجز القطع الطولي باستخدام المقيضين W
- قم بتوجيه الأداة مستقيماً بالتغذية المستمرة عبر قطعة العمل:
- استخدام حاجز القطع الطولي مع مخفف الصدمات القوس Z (16)
- قم بتركيب مخفف الصدمات القوس Z (أثناء تركيب البكرة الدليلية) كما هو موضح:
- قم بتوجيه الأداة على طول حافة قطعة العمل مع الضغط الجانبي الخفيف:

#### توصيات الاستخدام

- للقيام بالقطع بشكل متوازي مع جانب قطعة العمل لديك، استخدم حاجز قطع طولي:

- للقطع بشكل متوازي في قطعة العمل بعيداً عن الحافة (17)
- قم بتركيب قطعة خشبية مستقيمة على قطعة العمل باستخدام مشبكين:
- قم بتوجيه الأداة بحيث تكون اللوحة الأساسية على طول حافة القطعة الخشبية والتي تعمل حالياً كحاجز قطع طولي:
- عند استخدام لقم مزودة بحمل دليلي أو محمل كريات، يجب خريك المحمل الدليلي أو محمل الكريات على طول حافة قطعة العمل والتي يجب أن تكون لمساة تماماً (18)
- لعمل أعمق تثبيت أكبر، يوصى بالقيام بعدة عمليات قطع متكررة بمعدلات إزالة منخفضة:

#### الصيانة / الخدمة

- لم يتم تصميم هذه الأداة للاستخدام الاحترافي:
- احرص دائماً على نظافة الأداة والسلك (وخصوصاً فئات التهوية S (19)):
- قم بتشحيم القضبان المنزلقة T (20) من حين لآخر:
- إذا تعذر تشغيل الأداة على الرغم من الحذر الشديد في إجراءات التصنيع والاختبار، فيجب القيام بالإصلاحات بواسطة مركز خدمة ما بعد البيع لأدوات الطاقة التابع لشركة SKIL:
- قم بإرسال الأداة من تفكيكها بالإضافة إلى إثبات الشراء إلى البائع أو أقرب محطة خدمة SKIL بالتعاون بالإضافة إلى مخطط الخدمة متاح على [www.skil.com](http://www.skil.com)

#### البيئة المحيطة

- لا تتخلص من الأدوات الكهربائية والملحقات ومواد التغليف مع النفايات المنزلية (الدول الأخذ الأوروبي فقط):
- وفقاً للتوجيه الأوروبي 2012/19/EC حول نفايات المعدات الكهربائية والإلكترونية وتطبيقه بالتوافق مع القانون المحلي، يجب جمع الأدوات الكهربائية متهيبة الصالحة بشكل منفصل وإرسالها إلى أحد منشآت إعادة التصنيع المتوافقة مع البيئة:
- سيذكرك الرمز (21) بهذا عند الحاجة إلى التخلص من أية أداة:

#### إعلان توافق CE

- نحن نقر على مسؤوليتنا الخاصة أن المنتج الموضح في «البيانات الفنية» يتوافق مع المعايير أو المستندات المعيارية التالية EN 10745 : EN 11000 و EN 55014 بالتوافق مع شروط التوجيهات 2004/108/EC و 2007/15/EU و 2011/65/EU (و 2004/108/EC) تنسرع الأخذ الأوروبي رقم 1149 لسنة 2012
- الملف الفني على SKIL Europe BV (PT-SEU/ENG) 1، 4825 BD Breda, NL

Marijn van der Hoofden  
Operations & Engineering

Olaf Dijkgraaf  
Approval Manager

SKIL Europe BV, 4825 BD Breda, NL

05.09.2014

#### الضوضاء/الاهتزاز

- عند القياس بالتوافق مع EN 10745 يكون مستوى ضغط صوت هذه الأداة هو 84 ديسيبل (أ) ومستوى طاقة الصوت 95 ديسيبل (أ) (الانحراف المعياري 3: ديسيبل، والاهتزاز 4,4 م/م) "طريقة امتزاز البد: K غير مؤكد 1,5 = م/م (22):
- تم قياس مستوى الاهتزازات بالتوافق مع الاختبار المعياري المحدد في EN 10745: يمكن استخدامه لمقارنة أداة بأداة أخرى وكتقييم شهيد للتعرض للاهتزاز عند استخدام الأداة في التطبيقات الموضحة:
- قد يؤدي استخدام الأداة في تطبيقات مختلفة أو مع ملحقات مختلفة أو ذات صيانة رديئة إلى زيادة مستوى التعرض بصورة كبيرة:
- إن الفترة الزمنية التي يتم خلالها إيقاف تشغيل الأداة أو عندما تكون قيد التشغيل لكنها لا تؤدي أية مهام، تؤدي إلى تقليل مستوى التعرض بصورة كبيرة:
- ! **قم بحماية نفسك من تأثيرات الاهتزاز من خلال صيانة الأداة وملحقاتها، والحفاظ على يدك دافئتين وتنظيم أحمال العمل لديك:**

- ح) حافظ على إبقاء عدد القطع نظيفة وحادة. إن عدد القطع ذات حواف القطع الحادة التي تم صيانتها بعناية تتكليس بشكل أقل ويمكن توجيهها بشكل أيسر.
- خ) استخدم العدد الكهربائي والتوايح وعدد الشغل والرخ. حسب هذه التعليمات، تراعى أثناء ذلك شروط الشغل والعمل المراد تنفيذها. استخدام العدد الكهربائي لغبر الأشغال المخصصة لأجلها قد يؤدي إلى حدوث الحالات الخطيرة.
- هـ) الخدمة
- ا) اسمح بتصليح عدتك الكهربائية فقط من قبل المتخصصين فقط باستخدام قطع الغيار الأصلية. يؤمن ذلك المحافظة على أمان الجهاز.

#### تعليمات السلامة لمساحيج التخديد

- لا تتجاوز مطلقاً الحد الأقصى لعمق القطع الخاص بلُقم التخديد أثناء القطع؛
- في حالة حدوث خلل كهربائي أو ميكانيكي، أوقف تشغيل الأداة فوراً وافصل القابس؛
- في حالة تعرض لُقمه التخديد للاسداد والذي يؤدي إلى زيادة قوى اهتزاز الأداة، قم بإيقاف تشغيل الأداة على الفور؛
- في حالة انقطاع التيار أو عند سحب القابض عند طريق الخطأ، قم على الفور بإيقاف تشغيل الأداة لتفادي حدوث إعادة تشغيل لا يمكن التحكم به؛
- لا تقم بزيادة الضغط على الأداة بحيث تنوقف تماماً؛
- بعد الاستخدام
- بعد الانتهاء من العمل، قم بتحرير الزراع H (1). ثم قم بتوجيه الأداة مرة أخرى إلى وضع البدء العلوي وأوقف تشغيلها؛

#### معلومات عامة

- لا يجب استخدام هذه الأداة من قبل الأشخاص الأقل من 16 عام؛
- احرص دائماً على فصل القابض من مصدر الطاقة قبل القيام بأية عمليات ضبط أو تغيير أية ملحقات؛

#### الملحقات

- تضمن SKIL التشغيل السليم للأداة فقط عند استخدام الملحقات الأصلية؛
- استخدم فقط الملحقات بالسرعة المسموح بها، والتي توافق على الأقل أعلى سرعة للأداة بدون حمل؛
- لا تستخدم لقم تحديد تالفة أو معوجة؛
- لا تستخدم سوى لقم التخديد الخاصة؛
- قم بحماية الملحقات من التصادم والاهتزاز والشحم؛
- لا تستخدم سوى لقم تحديد من الفولاذ عالي السرعة (HSS) أو المصنوعة من الكريد (CT) مع هذه الأداة؛

#### قبل الاستخدام

- تجنب التلف الذي قد تتسبب فيه البراغبي والمسامير والعناصر الأخرى الموجودة في القطعة التي تعمل بها. قم بفكهم قبل بدء العمل؛
- تأكد دائماً من أن الفولت المزود هو نفسه المشار إليه على اللوحة الخاصة بالأداة (يكن كذلك توصيل الأدوات ذات التصنيف 230 فولت أو 240 فولت بمصدر إمداد 220 فولت)؛
- لا تعمل باستخدام مواد تشتت على الأسبستوس (يعتبر الأسبستوس مادة مسرطنة)؛

- استخدم القامطات أو وسيلة عملية أخرى لتثبيت قطعة العمل بمنصة ثابتة ودعمها بالإسماك بقطعة العمل في يدك أو مقابل جسمك قد يؤدي إلى فقدان التحكم؛
- لا تثبت الأداة في ملزمة؛
- استخدم أسلاك تمديد مفكوكة تماماً وأمنة سعة 16 أمبير (13 أمبير في بريطانيا العظمى)؛
- قد يزيد مستوى الضوضاء أثناء العمل عن 85 ديسيبل (أ). لذا قم بارتداء واقبات للآذن

- الغبار الناتج من المواد كالبلاستيك الذي يحتوي على رصاص وبعض أنواع الأخشاب والمعادن والمكونات المعدنية قد يكون ضاراً (لاملمسة أو استنشاق الغبار قد تتسبب في إصابة الشخص أو من يجاوره بأمراض الحساسية) وأو أمراض الجهاز التنفسي؛
- قم بارتداء قناع للغبار مع العمل باستخدام جهاز شطف للغبار، طالما أمكن توصيله
- ثمة أنواع معينة من الغبار تُصنّف على أنها مواد مسببة للسرطان (مثل غبار خشب البوط والزنان) خاصة عند استخدامها مع مواد مضافة لمعالجة الخشب؛
- قم بارتداء قناع للغبار مع العمل باستخدام جهاز شطف للغبار، طالما أمكن توصيله

- التزم بالمتطلبات الوطنية الخاصة بالغبار عند العمل باستخدام المواد المطلوبة
- تأكد من إيقاف تشغيل الأداة عند التوصيل؛

#### أثناء الاستخدام

- امسك بالأداة الكهربائية بواسطة أسطح إمساك معزولة لأن القاطع قد يلامس سلك الطاقة الخاص به (قطع سلك «متصل بالكهرباء» قد يؤدي إلى «وصول التيار الكهربائي» إلى أجزاء معدنية مكشوفة بالأداة الكهربائية ويعرض التشغيل للمصدمه الكهربائية)؛
- حافظ دائماً على بقاء السلك بعيداً عن الأجزاء المتحركة بالأداة، ووجه السلك للخلف بعيداً عن الأداة؛
- تجنب تماماً استخدام الأداة عند تعرض أحد الأسلاك أو اللوحة الأساسية R (1) (=الحاجز الواقي) للتلف. استعن بشخص مؤهل لاستبدالها؛
- احرص على بقاء يديك وأصابعك بعيداً عن لقم التخديد عندما تكون الأداة قيد التشغيل؛

#### الاستخدام

- تركيب/إزالة لقم التخديد (4)
- ! أوقف تشغيل الأداة وافصل القابض؛
- ! تأكد من تنظيف عمود لقم التخديد جيداً؛
- ! تأكد من توافق حجم الزنابق (1) مع حجم عمود لقم التخديد؛
- أقلب الأداة؛
- قم بفصل العمود عن طريق دفع قفل العمود A (قم بتدوير صامولة الزنابق B، إذا لزم الأمر) مع الاستمرار في الدفع؛
- للتركيب:
- قم بفك صامولة الزنابق B باستخدام مفتاح ربط C
- قم بإدخال لُقمه 2/4 في الزنابق؛
- اربط صامولة الزنابق بإحكام باستخدام مفتاح ربط C للزائفة؛
- قم بفك صامولة الزنابق B باستخدام مفتاح ربط C
- قم بإزالة لُقمه A
- ! لفك لُقمه التخديد قد يلزم النقر فوق صامولة الزنابق باستخدام مفتاح ربط (5)
- ! لا تقم مطلقاً بربط صامولة الزنابق. فقد يتعرض الزنابق للتلف. في حالة عدم وجود أية لقم تحديد في الزنابق؛
- تغيير الزنابق
- ! أوقف تشغيل الأداة وافصل القابض؛
- ! تأكد من تنظيف عمود الزنابق جيداً؛
- قم بفك صامولة الزنابق B بمقدار دورتين أو ثلاث دورات؛
- انقر فوق صامولة الزنابق B باستخدام مفتاح ربط C
- قم بإزالة صامولة الزنابق B والزنابق (فصل العمود)؛
- أقلب الأداة؛
- قم بإدخال زنابق جديد في عمود الزنابق؛
- قم بتركيب صامولة الزنابق B (فصل العمود)؛
- ! لا تقم مطلقاً بربط صامولة الزنابق. فقد يتعرض الزنابق للتلف. في حالة عدم وجود أية لقم تحديد في الزنابق؛
- ضبط عمق التخديد (1)
- ! أوقف تشغيل الأداة وافصل القابض؛
- تأكد من امتداد القنصيص الصغير الموجود داخل مقياس العمق D لمسافة حوالي 3 سم (استخدم مقبض الضبط الدقيق E) (1)
- قم بتدوير المقبض الدوار F بحيث يستقر أعلى وضع به في موضعه مباشرة أسفل مقياس العمق D (للتصغير) (1)
- قم بفك المقبض G بحيث ينخفض مقياس العمق D حتى المقبض الدوار لإيقاف العمق F (1)
- ضع الأداة على قطعة عمل؛
- قم بتحرير ذراع الفقل H (1)
- قم بدفع الأداة لأسفل بحيث تتلامس لُقمه التخديد مع قطعة العمل (1)
- اربط ذراع الفقل H (1)
- تم تعيين عمق التخديد الآن على 0. (لاحظ القيمة الموضحة على مقياس العمق)؛
- قم برفع مقياس العمق D للمدار الذي يتطلبه عمق التخديد المطلوب من الملمبترات ثم قم بربط المقبض G (1)
- قم بتحرير ذراع الفقل H وتوجيه الأداة لأعلى مرة أخرى؛
- استخدم مقبض الضبط الدقيق E لضبط عمق التخديد بشكل أكثر دقة (1-0)؛

## مقدمة

- تم تصميم هذه الأداة لتخديد الجاروي والحواف والقطاعات الجانبية والفتحات الممتدة في الأختاب والبيلاستيك ومواد البناء الحفيفة وأيضاً لتخديد جمونج؛
- لم يتم تصميم هذه الأداة للاستخدام الاحترافي؛
- تم تصميم المسحاج للوجود في هذه الأداة الكهربائية لإضاءة منطقة عمل هذه الأداة الكهربائية مباشرة ولا يصلح لاستخدامه لأغراض الإضاءة المنزلية
- اقرأ دليل التعليمات هذا واحتفظ به ②

## البيانات الفنية ①

## مكونات الأداة ②

A	قفل العمود
B	صامولة زناق
C	مفتاح ربط
D	مقياس العمق
E	مقبض الضبط الدقيق
F	المقبض الدوار لإيقاف العمق
G	مقبض الضبط (مقياس العمق)
H	ذراع قفل
J	عجلة خديد السرعة
K	موضع توصيل المكثف الكهربائية
L	مفتاح التشغيل/إيقاف
M	زر لقفل المفاتيح
N	مقبض الضبط (مستك)
O	مصابيح LED
P	لوحة المفاتيح
Q	دليل القطع الطولي
R	اللوحة الأساسية
S	فتحات التهوية
T	الفضيان المنزلقة
V	قضبان حاجز قطع الطولي
W	مقبض ضبط دليل القطع الطولي
X	مسمار حاجز القطع الطولي
Y	الصامولة الجنبحة لحاجز القطع الطولي
Z	مخفف الصدمات المقوس

## أمان

## تعليمات السلامة العامة

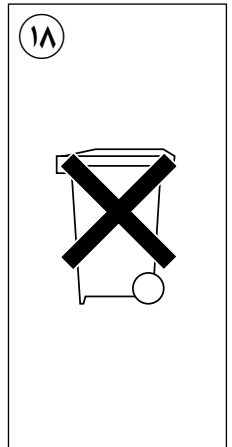
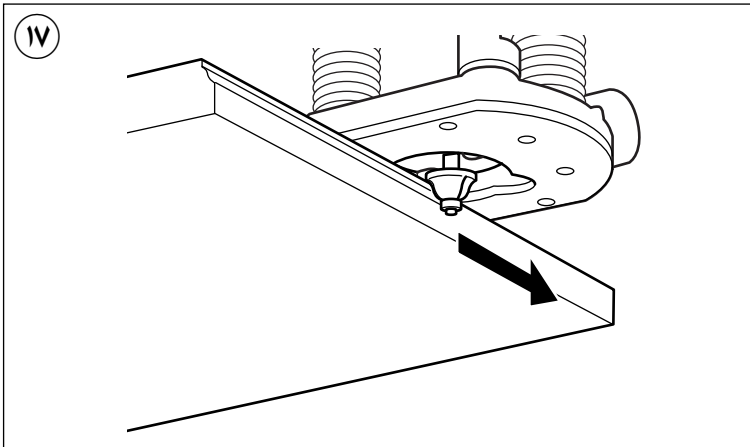
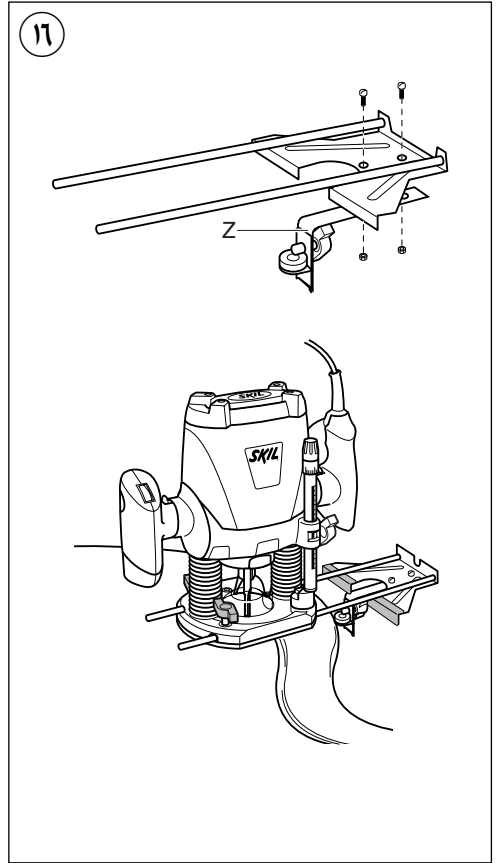
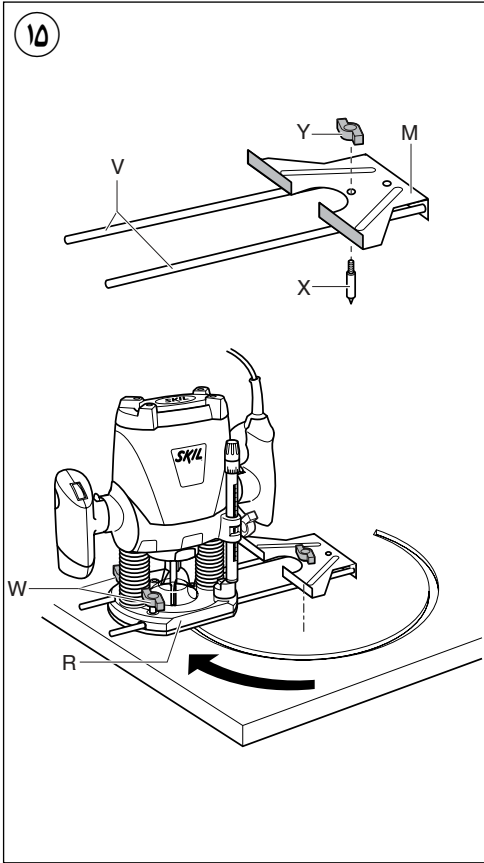
⚠ **تحذير!** اقرأ جميع الملاحظات التحذيرية والتعليمات إن ارتكبت الأخطاء عند تطبيق الملاحظات التحذيرية والتعليمات قد يؤدي إلى الصدمات الكهربائية. إلى نشوب الحرائق أو أو الإصابة بجروح خطيرة. احتفظ بجميع الملاحظات التحذيرية والتعليمات للمستقبل. يقصد مصطلح «العدة الكهربائية» المستخدم في الملاحظات التحذيرية، العدد الكهربائي الموصولة بالشبكة الكهربائية (بواسطة كابل الشبكة الكهربائية) وأيضاً العدد الكهربائي الزودة بطارية (دون كابل الشبكة الكهربائية).

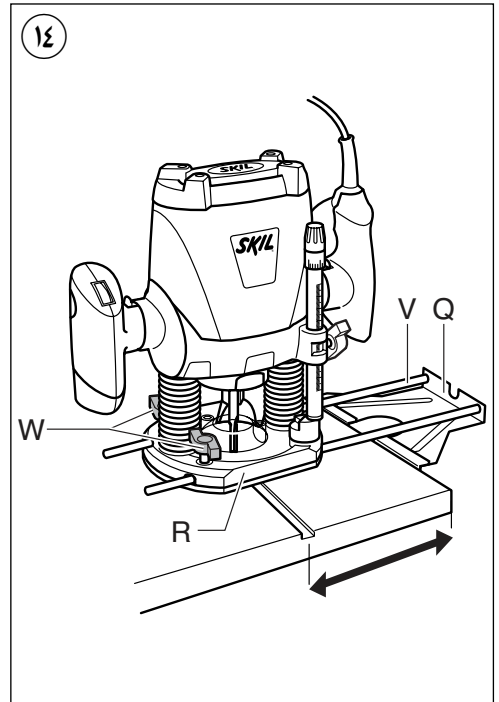
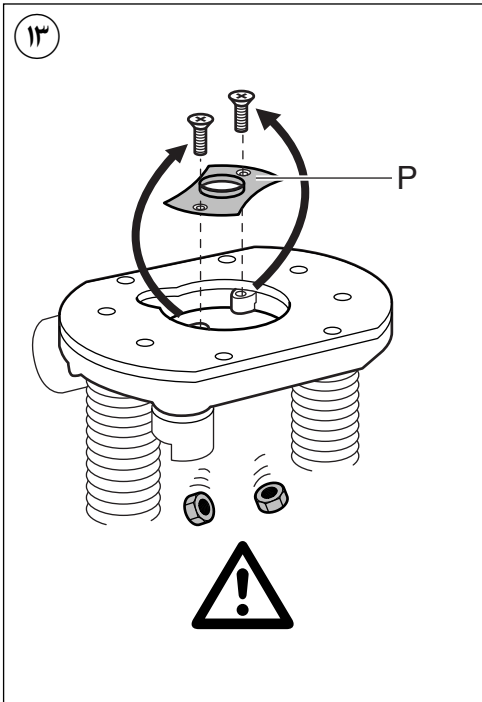
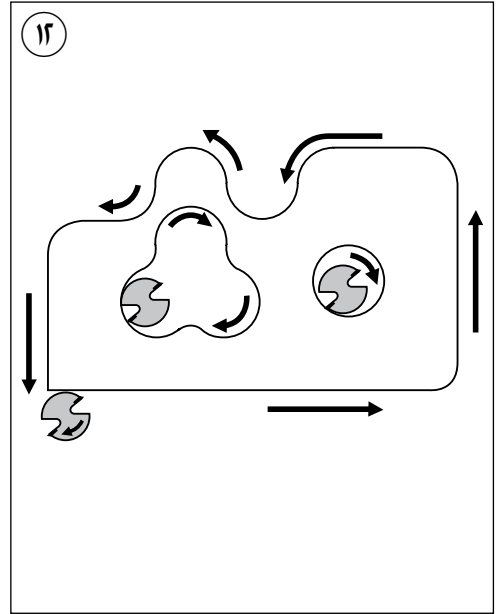
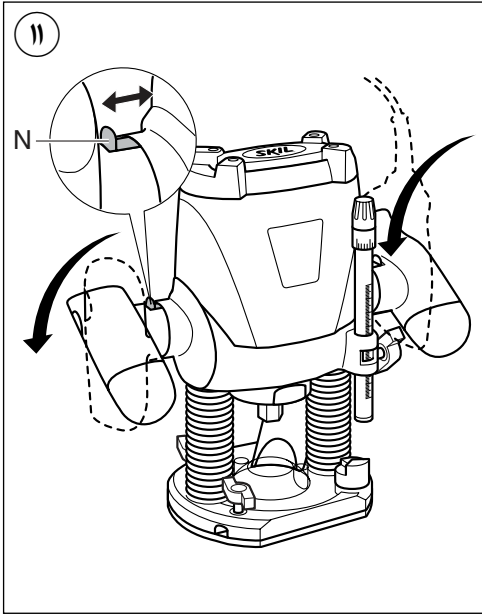
## الأمان بمكان الشغل

- 1) حافظ على نظافة وحسن إضاءة مكان شغلك الفوضوية في مكان الشغل ومجالات العمل الغير مضاعة قد تؤدي إلى حدوث الحوادث.
- 2) لا تشغّل بالعدة الكهربائية في محيط معرض لخطر الانفجار والذي تتوفر فيه السوائل والغازات أو الأغبرة القابلة للاشتعال العدد الكهربائي تشكل الشر الذي قد يتطاير، فينبغي إبعاد الأغبرة والأبخرة.
- 3) حافظ على بقاء الأطفال وغيرهم من الأشخاص على بعد عندما تستعمل العدة الكهربائية. قد تفقد السيطرة على الجهاز عند التلهي.

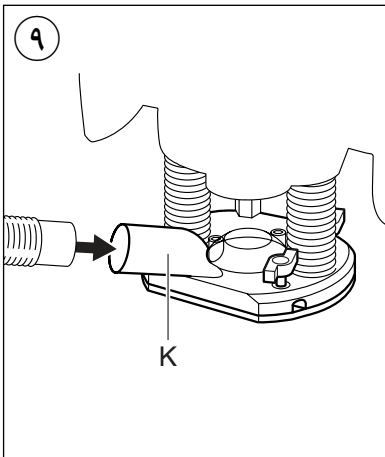
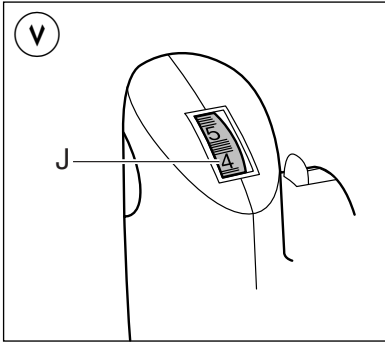
## الأمان الكهربائي

- 1) يجب أن يتلاءم قايص وصل العدة الكهربائية مع المقبس. لا يجوز تغيير القايص بأي حال من الأحوال. لا تستعمل القوايس المهايئة مع العدد الكهربائية المؤرّضة تاريض وفتاني. تخضع القوايس التي يتم تغييرها والمقايص الملائمة من خطر الصدمات الكهربائية.
- 2) تجنب ملامسة السطوح المؤرّضة كالأثياب ورادياتورات التدفئة والمدافئ أو البريات بواسطة جسمك. يزداد خطر الصدمات الكهربائية عندما يكون جسمك مؤرّض.
- 3) أبعد العدة الكهربائية عن الأمطار أو الرطوبة. يزداد خطر الصدمات الكهربائية إن تسرب الماء إلى داخل العدة الكهربائية.
- 4) يجب عدم إساءة استخدام الكابل. لا تسنّ استعمال الكابل لحمل العدة الكهربائية أو لتعليقها أو لسحب القايص من المقبس. حافظ على إبعاد الكابل عن الحرارة والنزيت والحواف الحادة أو عن أجزاء الجهاز المتحركة. تزيد الكبلات التالفة أو المتشابكة من خطر الصدمات الكهربائية.
- 5) استخدم فقط كابلات التمديد الصالحة للإستعمال الخارجي أيضاً عندما تشغّل بالعدة الكهربائية في الخلاء. يخفض استعمال كابل تمديد مخصص للإستعمال الخارجي من خطر الصدمات الكهربائية.
- 6) إن لم يكن بالإمكان عدم تشغيل العدة الكهربائية في الأجواء الرطبة، فاستخدم مفتاح للوقاية من التيار المتردد. إن استخدام مفتاح للوقاية من التيار المتردد يقلل خطر الصدمات الكهربائية.
- 7) أمان الأشخاص
  - 1) كن يقظاً وأنتهب إلى ما تفعله وقم بالعمل بواسطة العدة الكهربائية بتدقّل.. لا تستخدم عدة كهربائية عندما تكون متعب أو عندما تكون تحت تأثير المخدرات أو الكحول أو الأدوية. عدم الإنتباه للحظة واحدة عند استخدام العدة الكهربائية قد يؤدي إلى إصابة خطيرة.
  - 2) ارتد عتاد الوقاية الخاص. وارتد دائماً نظارات واقية. يجب إرتداء عتاد الوقاية الخاص. كفتاح الوقاية من الغبار وأحذية الأمان الواقية من الإرتلاق والحود واقية الأذن. حسب نوع واستعمال العدة الكهربائية. من خطر الإصابة بجروح.
  - 3) تجنب التشغيل بشكل غير مقصود. تأكد من كون العدة الكهربائية مطفأة قبل وصلها بإماد التيار الكهربائي و/ أو بالمرتكب، وقبل رفعها أو حملها. إن كنت تضع إصبعك على المفاتيح أثناء حمل العدة الكهربائية أو إن وصلت الجهاز بالشبكة الكهربائية عندما يكون قيد التشغيل. فقد يؤدي ذلك إلى حدوث الحوادث.
  - 4) انزع عدد الضبط أو مفتاح الربط قبل تشغيل العدة الكهربائية. قد تؤدي العدة أو المفاتيح المتواجدة في جزء دوار من الجهاز إلى الإصابة بجروح.
  - 5) تجنب أوضاع الجسم غير الطبيعية، قف بأمان وحافظ على توازنك دائماً. سيسمح لك ذلك من السيطرة على الجهاز بشكل أفضل في المواقف غير المتوقعة.
  - 6) ارتد ملابس مناسبة. لا ترتدي الثياب الفضفاضة أو الحلي. حافظ على إبقاء الشعر والثياب والفتغارات على بعد عن أجزاء الجهاز المتحركة. قد تشنّبك الثياب الفضفاضة والحلي والشعر الطويل بالأجزاء المتحركة.
  - 7) إن جاز تركيب جهاز شفط وجميع الغبار فتأكد من أنها موصولة وأنه يتم استخدامها بشكل سليم. قد يقلل استخدام تجهيزات لشفط الأغبرة من المخاطر الناتجة عن الأغبرة.
- 8) حسن معاملة واستخدام العدد الكهربائية
  - 1) لا تصرف في تحميل الجهاز. استخدم لتنفيذ أشغالك العدة الكهربائية المصممة لذلك. إنك تعمل بشكل أفضل وأكثر أماناً بواسطة العدة الكهربائية الملائمة في مجال الأداء المذكور.
  - 2) لا تستخدم العدة الكهربائية إن كان مفتاح تشغيلها تالف. العدة الكهربائية التي لم تعد تسمح بتشغيلها أو بإطافئها خطيرة ويجب أن يتم تصليحها.
  - 3) اسحب القايص من المقبس و/ أو انزع المتركب قبل ضبط الجهاز وقبل إستبدال التوابع أو قبل وضع الجهاز جانباً. تمنع إجراءات الاحتياط هذه تشغيل العدة الكهربائية بشكل غير مقصود.
  - 4) احتفظ بالعدد الكهربائية التي لا يتم استخدامها بعيداً عن متال الأطفال. لا تسمح باستخدام العدة الكهربائية لمن لا خبرة له بها أو لمن لم يقرأ تلك التعليمات. العدد الكهربائي خطيرة إن تم استخدامها من قبل أشخاص دون خبرة.
  - 5) اجتن بالعدة الكهربائية بشكل جيد. تفحص عما إذا كانت أجزاء الجهاز المتحركة تعمل بشكل سليم وبأنها غير مستعصبة عن الحركة أو إن كانت هناك أجزاء مكسورة أو تالفة لدرجة تؤثر فيها على حسن أداء العدة الكهربائية. ينبغي تصليح هذه الأجزاء التالفة قبل إعادة تشغيل الجهاز. الكثير من الحوادث مصدرها العدد الكهربائي التي تم صيانتها بشكل ردي.

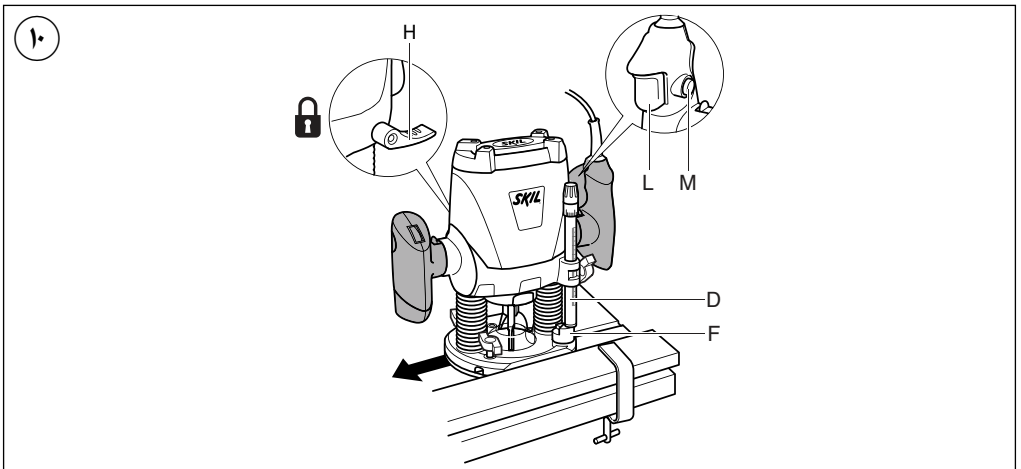




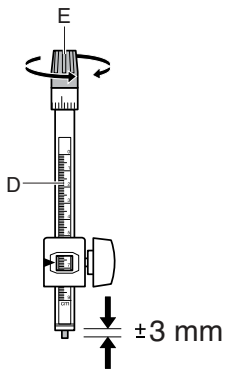




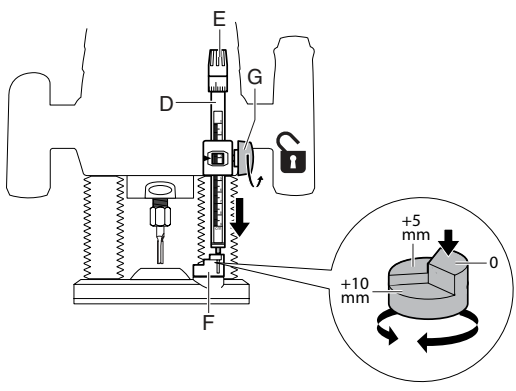
	4 - 10 mm 12 - 20 mm 22 - 40 mm	5 - MAX 3 - 4 MIN - 2
	4 - 10 mm 12 - 20 mm 22 - 40 mm	5 - MAX 3 - 6 MIN - 3
	4 - 10 mm 12 - 20 mm 22 - 40 mm	3 - MAX 2 - 4 MIN - 3
	4 - 15 mm 16 - 40 mm	2 - 3 MIN - 2
	4 - 15 mm 16 - 40 mm	MIN - 2 MIN



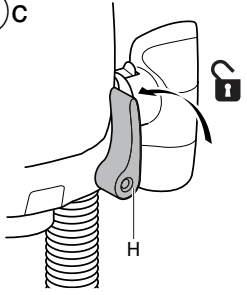
1 a



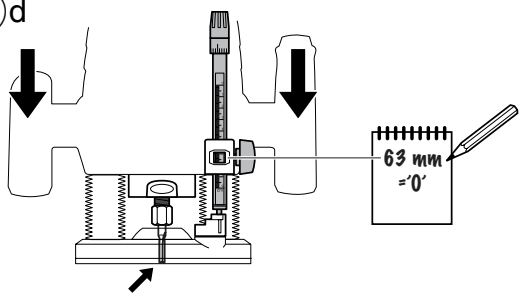
1 b



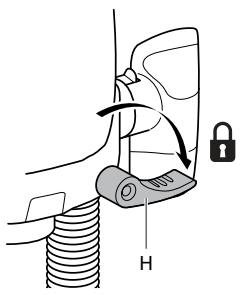
1 c



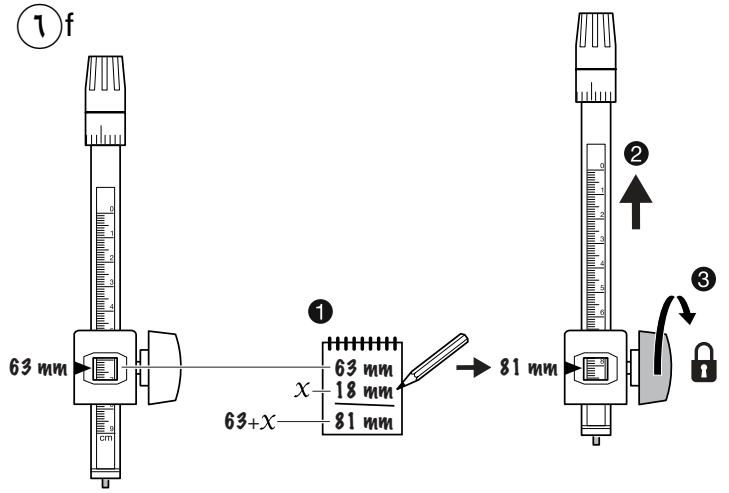
1 d



1 e



1 f



1) 1840

1300  
Watt

3,8 kg  
EPTA 01/2003

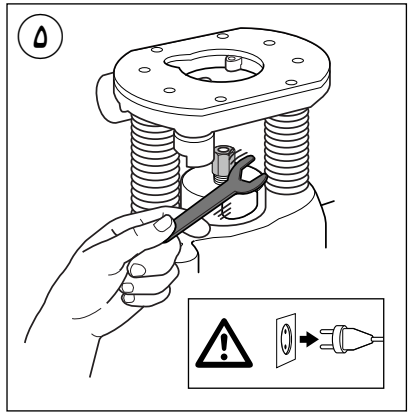
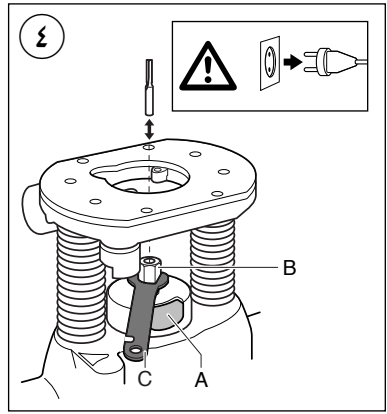
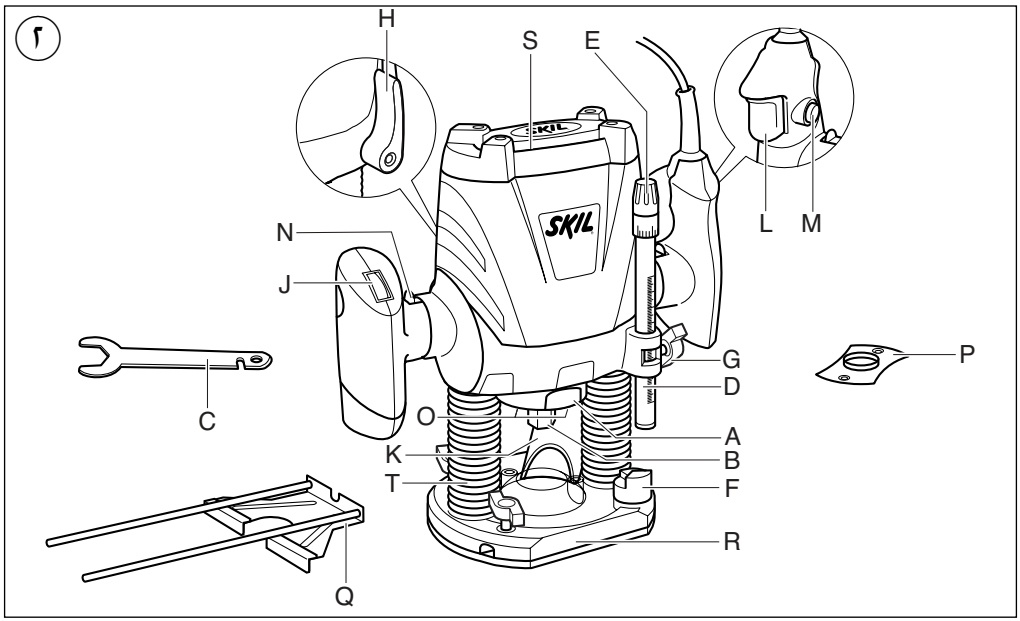
60 mm

12-28.000

6 mm

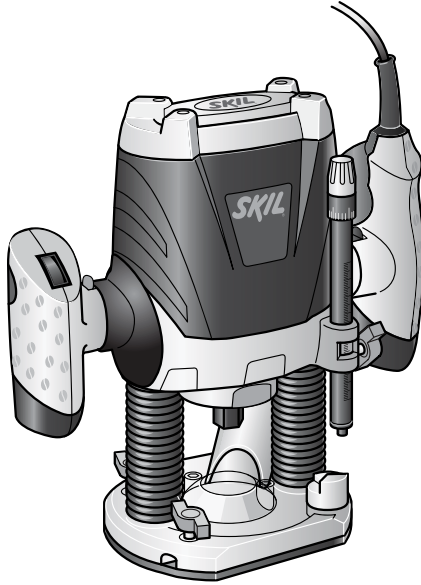
8 mm

220  
240  
V~  
50-60 Hz



مسحاج تخديد  
1840

**SKIL**<sup>®</sup>



# دليل الاستعمال راهنماي اصلي

AR

FA



2610Z05115

09/14

سكيل أوروبا ب.د.ق. - كونينانبرج 60  
4825 ب.د. بريدا - هولندا



Сертификат о соответствии  
KZ.7500052.22.01.04165  
Срок действия сертификата о соответствии  
по 09.07.2018  
ТОО «Центр Сертификации продукции и услуг»  
г. Алматы, ул Кабанбай батыра,  
уг. Калдаякова 51/78

**ДАТА ПРОИЗВОДСТВА**